

# GENERAL CATALOGUE



**Smart<sup>®</sup>**

Intelligent Fixing Solutions









### PGB-EUROPE NV

pgb-Europe is a Belgian family-owned company specialised in the distribution of fasteners, fixings and hand tools. Our vast range of products allows us to meet the individual needs of every customer.

#### Intelligent fastening solutions:

We want to be a leading company in the domestic market of our field. pgb-Europe distinguishes itself through knowhow, excellent product quality, a high delivery rate and customer-oriented service and sound advice. We stand for partnerships on the long term with a clear win-win situation, by offering products with added-value. A strong emphasis is thus put to finding the best and most cost-efficient solution for our clients.



### PGB-POLSKA SP. Z.O.O

pgb-Polska is the Polish production plant of pgb-Europe. The main activity of the company is the production of high quality nylon and steel anchors, developed under the brand name "SMART".

The company already obtained an ETA approval for its nylon frame anchors and multifunctional wall plugs with screws (ETA-10/0392) and hammer nail plugs (ETA-12/0572). The company's full production range covers multifunctional wall plugs, universal plugs, hammer nail plugs, window frame anchors and cavity anchors.



pgb-Polska is continuously investing in obtaining product certifications. Recently pgb-Polska has also obtained the ETA approval option 7 (ETA-11/0474) and option 1 (ETA-10/0472) for their through bolt anchors.

Other products like window frame screws, metal cavity anchors, brass anchors and metal expansion bolts are all available in the the SMART range.

Our products are available in different packing ways and are mainly delivered under the original SMART brand. On customer request we can provide private label and packing, in blister pack, window box, polybags etc.



In a high competitive market we continuously improve our production to reach for the highest standard in fasteners and fixing solutions. We want to support you in your daily business and offer you maximum benefits.

Sincerely hoping to continue and improving our cooperation for the next coming years.

Management of  
pgb-Europe and pgb-Polska

# ANCHOR FIXING GUIDE

## MATERIAL GUIDE

### Concrete



Concrete is a conglomerate made from a mixture of cement, aggregates and water. There are several strength types, depending on the composition or usage. The most commonly used is concrete C20/25, referring to the resistance to pressure of 25N/mm<sup>2</sup>. This building material is very well suited for anchorings.

### Hollow concrete



Light concrete blocks with a porous structure have a low compressive strength and thus require special care when choosing the right anchor. It is recommended to use plugs with a long expansion zone or chemical anchors.

### Solid masonry



Dense and solid bricks, without cavities and of high compressive strength are also very well suited for anchorings. The group includes solid bricks, clay bricks as well as solid sandlime bricks.

### Perforated and hollow masonry



Hollow blocks are either horizontally or vertically perforated and mostly the cavities are circular, square or elliptical shaped. Perforated bricks and hollow bricks have light a compressive strength and therefore anchors should be chosen very carefully. That is why it is recommended to use long nylon plugs.

### Cellular concrete



Made of light concrete, this material has a low compression strength. It requires special plugs and a low installation torque.

### Plasterboard



Thin and soft materials like gypsum board and plasterboard are either fixed at a distance or directly fixed to the base material. Only special plugs can be used to ensure a good fixing. Due to its design, this material can only bear light loads.

## DRILLING AND INSTALLATION

### Drilling

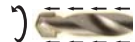
Correct drill bits should be used at any time. Also the drilling depth is important for the correct working of the anchor. Furthermore the method of drilling depends of the base material.

- **Rotary without percussion:**



Advised for perforated masonry and soft and porous materials to avoid causing inner damage to the base material.

- **Rotary with percussion:**



Advised for solid and dense building materials like concrete and solid masonry. Fast rotation with low energy percussions.

- **Hammer drilling:**



Advised for drilling in concrete. High impact energy combined with less impacts for fast drilling.

In many cases, it is difficult to know which is the base material. The best way is to drill a small hole at low drilling speed and without percussion. The drill dust and hardness will help you to determine the base material:

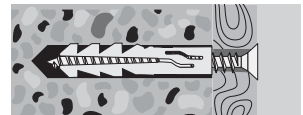
- **Concrete:** dry light grey dust
- **Cellular concrete:** white and more greasy dust
- **Masonry and bricks:** red dust
- **Plasterboard:** white, light and sticky dust

### Installation

The following types of installation can be distinguished:

- **Pre-positioned installation:**

The anchor is put in the drill hole and finally the fixture is installed. The drill diameter in the fixture is smaller than the drill hole in the base material.



- **Push-through installation:**

The plug is pushed through the fixture into the drill hole. Both the drill diameter for the plug and through the fixture are the same.



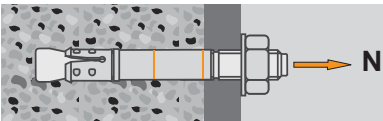
### Some more general tips

- The drill hole depth should at least be the anchor length + 10mm.
- In soft and weak base materials like cellular concrete it is recommended to drill without percussion and with a 1mm smaller drill bit.
- When using nylon plugs in concrete and solid bricks, it is recommended to use the highest screw diameter allowed to assure the best expansion of the plug.
- When using nylon universal plugs in plasterboard it is recommended to use the smallest screw diameter allowed.
- In cellular concrete and other porous materials the screw must be tightened with a low torque.
- The fixing thickness ( $t_{fix}$ ) generally corresponds to the thickness of the object to be fixed. Render or insulation material is not considered as a base material and therefore the fixture thickness must be increased by the thickness of that layer.

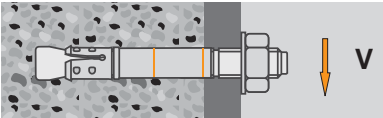
### Types of load

The forces in the catalogue are stated in kN (Kilonewton). 1 kN = ~100kg. The bending moments are stated in Nm (Newtonmeter).

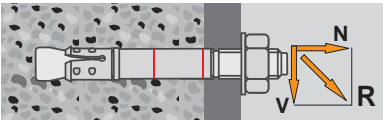
#### Tension load



#### Shear load



#### Oblique load



### Types of anchorage

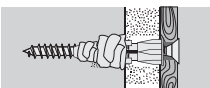
#### Expansion by friction:

The plug is expanded against the base material.



#### Geometrical expansion:

The plug locks itself in the shape of the perforations or cavities of the base material.



#### Expansion by adhesion:

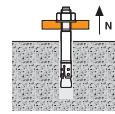
By means of chemical mortar the anchor is bonded to the base material, resulting in a stress-free anchoring.



### Types of failure

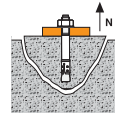
#### Anchor pull-out

The anchor is pulled out of the material without causing damage to the base material. This can be caused because of an incorrect installation or too high load.



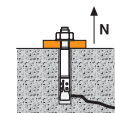
#### Base material failure:

If the anchor is fastened in the concrete, this type of breaking involves the extraction of a cone-shaped piece of concrete. This can be caused because of insufficient strength of the base material, insufficient anchorage depth or too high load.



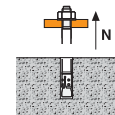
#### Material splitting:

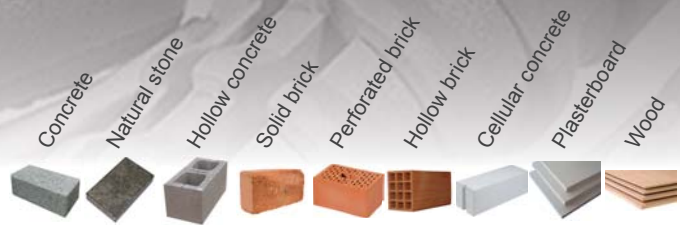
This is caused because of too small edge distances or too small spacing of the anchors, or because of too small dimensions of the base material part.



#### Steel failure:

This is the maximum anchor load that can be reached. Steel failure is caused by insufficient strength of the steel quality for the attached load.





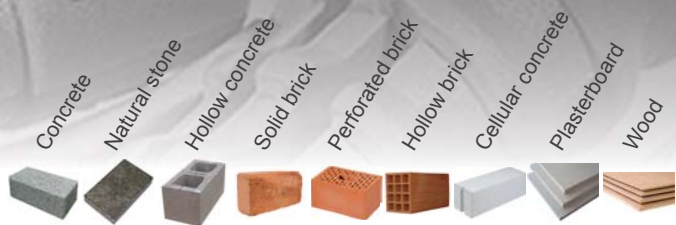
**GENERAL FIXINGS**

Nylon wall plug without collar	SM00P		14	■	■	□	■	■		□			
Nylon multifunctional plug with collar	SM0BP		16	■	■	■	■	■		□			
Nylon multifunctional plug with collar, long version	SMLBP		18	■	■	■	■	■		□			
Nylon multifunctional plug without collar, long version	SM0LP		20	■	■	■	■	■		□			
Multifunctional plug with chipboard screw	SMPUS		22	■	■	■	■	■		□			
Multifunctional plug with hex lag screw	SMPZS		24	■	■	■	■	■		□			
Multifunctional plug with cup hook	SMPSH		26	■	■	■	■	■		□			
Multifunctional plug with L-hook	SMPSD		26	■	■	■	■	■		□			
Long multifunctional plug with chipboard screw	SMLPS		28	■	■	■	■	■		□			
Long multifunctional plug with hex lag screw	SMLPZ		30	■	■	■	■	■		□			
Nylon 4-side expansion universal plug with collar	SM0UP		32	□	■	□	■	■	□	□	■		
Nylon universal plug with collar	SMMFP		34	□	■	□	■	■	□	□	■		
Long nylon plug with long expansion zone	SMLPL		36	■	■	□	■	■	□	□			
Metal universal plug	SMMUP		38	■		■	■	□		□			
Brass anchor	SMMSP		40	■	■		■						
Aerated concrete plug	SMCBP		42							■			
Aerated concrete nail	SMCBN		44							■			
Ceiling anchor	SM0PA		46	■									
Ceiling nail anchor	SMPSA		48	■									

**CAVITY FIXINGS**

Plasterboard plug	SMGKP		52								■		
Nylon cavity anchor	SMPCA		54					□	■		■		
Nylon cavity anchor with various screws	SMPV		56						■		■		
Metal cavity anchor	SMWHP		58								■		
Metal cavity anchor with L-hook	SMWPL		58								■		
Metal cavity anchor with C-hook	SMWPC		58								■		
Setting tool for metal cavity anchor	0TANG		58								■		
Spring toggle with screw	SMRSV		60								■		
Spring toggle with cup hook	SMRHA		60								■		
Spring toggle with threaded rod	SMRST		60								■		
Spring toggle with eye hook	SMRSO		60								■		
Gravity anchor with cup hook	SMPHA		62								■		
Gravity anchor with threaded rod	SMPST		62								■		





Hammer nail plug with countersunk collar	SMPKK		66	■	■		■	□		□				
Hammer nail plug with mushroom-shaped collar	SM0SP		68	■	■		■	□		□				
Hammer nail plug with metric thread	SMSPM		70	■	■		■	□		□				
Hammer nail plug with cylindrical collar	SMPCK		72	■	■		■	□		□				
Hammer drive anchor with nail	SM0HN		74	■			■	□						
Frame plug with countersunk head and pozidriv screw	SM0RP		76	■	■	■	■	■	■	□				
Frame plug with countersunk head and Torx screw	SMRPT		78	■	■	■	■	■	■	□				
Frame plug with countersunk head and hex screw with pressed-on washer	SMRPF		80	■	■	■	■	■	■	□				
Frame plug with cylinder head and hex screw with pressed-on washer	SMRPC		84	■	■	■	■	■	■	□				
Frame plug with countersunk head and hex screw	SMRPZ		82	■	■	■	■	■	■	□				
Metal frame anchor	SMMKP		86	■		□	■	□						
Window frame screw with cylinder head, T25	SMC25		88	■			■	□						
Window frame screw with cylinder head, T30	SMC30		90	■			■	□						
Window frame screw with countersunk head, T30	SMP30		92	■			■	□						
Universal spacer screw, with T25 recess	SMAFS		94									■		
Selfdrilling adjustable screw, with T25 recess	SMVAS		96									■		
Express nail	SMANH		98	■			■							
Scaffold fixing	SMSFP		102	■			■							

FRAME FIXINGS

Drop-in anchor	SM0IA		106	■	■									
Through bolt with ETA option 7 - type SMK	SM7KA		108	■	■									
Through bolt with ETA option 1 - type S-KA	SM1KA		113	■	■		□							
4 shield expansion anchor "PFG"	SM00K		116	■	■	□	■	□						
4 shield expansion anchor "PFG"	SM00T		118	■	■	□	■	□						
4 shield expansion anchor "PFG"	SM00H		120	■	■	□	■	□						
4 shield expansion anchor "PFG"	SM00O		122	■	■	□	■	□						
4 shield expansion anchor "PFG"	SM0TR		124	■	■	□	■	□						

HEAVY DUTY ANCHORS



# Smart<sup>®</sup>

## MODERN PRODUCTION OF HIGH QUALITY ANCHORS



**PRODUCTION**  
state of the art machinery



**PACKAGING**  
possibility for private label



**QUALITY**  
research & development



**TESTING**  
in-house testing facilities







# SMART PLUG TYPE BP AND LBP



## PLUG + SCREW




SMART wall plug BP with hex lag screw DIN 571



			
12 x 60	8 x 70 8 x 80 8 x 90 8 x 100 8 x 120 8 x 140 8 x 160	14 x 70	10 x 80 10 x 100 10 x 120 10 x 140 10 x 160 10 x 180 10 x 200





Long SMART wall plug LBP with collar with hex lag screw DIN 571






















			
10 x 70	8 x 80 8 x 90 8 x 100	10 x 70	8 x 120 8 x 140 8 x 160

Long SMART wall plug LBP with collar with universal screw



			
8 x 60	6,0 x 70 6,0 x 80 6,0 x 90	8 x 60	6,0 x 100 6,0 x 120



Nylon wall plug without collar	SM00P		14
Nylon multifunctional plug with collar	SM0BP		16
Nylon multifunctional plug with collar, long version	SMLBP		18
Nylon multifunctional plug without collar, long version	SM0LP		20
Multifunctional plug with chipboard screw	SMPUS		22
Multifunctional plug with hex lag screw	SMPZS		24
Multifunctional plug with cup hook	SMPSH		26
Multifunctional plug with L-hook	SMPSD		26
Long multifunctional plug with chipboard screw	SMLPS		28
Long multifunctional plug with hex lag screw	SMLPZ		30
Nylon 4-side expansion universal plug with collar	SM0UP		32
Nylon universal plug with collar	SMMFP		34
Long nylon plug with long expansion zone	SMLPL		36
Metal universal plug	SMMUP		38
Brass anchor	SMMSP		40
Aerated concrete plug	SMCBP		42
Aerated concrete nail	SMCBN		44
Ceiling anchor	SM0PA		46
Ceiling nail anchor	SMPSA		48



# SMOOP

## NYLON WALL PLUG WITHOUT COLLAR



### TYPE P



### BEST SUITABLE FOR



### ALSO SUITABLE FOR



### DESCRIPTION

- Wall plug without collar, for use with chipboard screws and other wood screws.

### ADVANTAGES

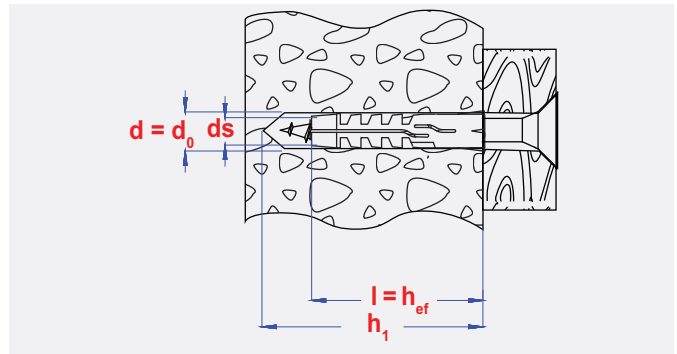
- The anti-rotation wings prevent the plug rotating in the drill hole.
- Quick and easy installation.
- Improved S-shaped slot design allows excellent fixing in all solid building materials and even in perforated bricks.

### APPLICATIONS

- All objects which can be fixed with wood screws or chipboard screws, such as: picture frames, cup-boards, skirting boards, towel rails, soap dishes, letter boxes, alarm units, curtain rails, ...

### FUNCTIONING

- Pre-positioned and push-through installation.
- When turning in the screw, the plug expands in 2 directions, providing a secure anchoring in solid materials.
- The required screw length = plug length + board material thickness + fixture thickness + 1x screw diameter.



### TECHNICAL DATA

d	l	d <sub>0</sub>	h <sub>1</sub>	d <sub>s</sub>	h <sub>ef</sub>
[mm]	[mm]	[mm]	[mm]	[mm]	[mm]
4	20	4	25	2,0-3,0	20
5	25	5	35	3,0-4,0	25
6	30	6	40	4,0-5,0	30
7	35	7	45	4,0-5,0	35
8	40	8	55	4,5-6,0	40
10	50	10	70	6,0-8,0	50
12	60	12	80	8,0-10	60
14	70	14	90	10-12	70
16	80	16	100	12-14	80

### INSTALLATION SCHEME





Nylon wall plug without collar



Nylon wall plug without collar

### CARTON BOX PACKING

size	pgb code	EAN13		
4x20	SM00P304 N	5902134712215	200	
5x25	SM00P305 N	5902134711485	200	
6x30	SM00P306 N	5902134711492	100	
7x35	SM00P307 N	5902134712222	100	
8x40	SM00P308 N	5902134711508	100	
10x50	SM00P310 N	5902134711515	50	
12x60	SM00P312 N	5902134711522	25	
14x70	SM00P314 N	5902134711539	20	
16x80	SM00P316 N	5902134711546	10	

### WINDOW BOX PACKING

size	pgb code	EAN13		
4x20	SM00PE04 N	5902134713922	200	
5x25	SM00PE05 N	5902134713939	200	
6x30	SM00PE06 N	5902134713946	100	
7x35	SM00PE07 N	5902134713953	100	
8x40	SM00PE08 N	5902134713960	100	
10x50	SM00PE10 N	5902134713977	50	
12x60	SM00PE12 N	5902134713984	25	
14x70	SM00PE14 N	5902134713991	20	
16x80	SM00PE16 N	5902134714004	10	



Nylon wall plug without collar

### PRO BOX PACKING

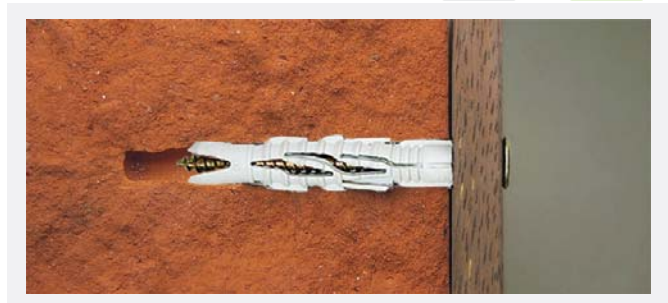
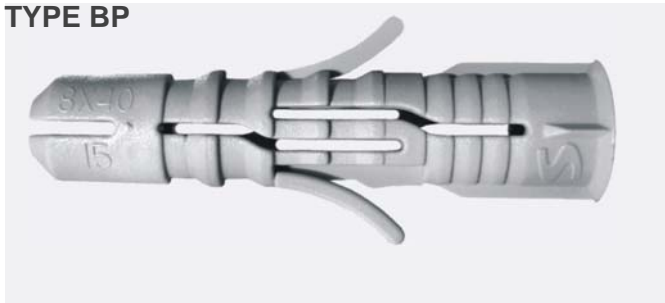
size	pgb code	EAN13		
6x30	SM00PD06 N	5902134723488	2500	
8x40	SM00PD08 N	5902134723495	1400	
10x50	SM00PD10 N	5902134723501	800	
12x60	SM00PD12 N	5902134723518	400	

# SMOBP

## NYLON MULTIFUNCTIONAL PLUG WITH COLLAR



### TYPE BP



### BEST SUITABLE FOR



### ALSO SUITABLE FOR



### DESCRIPTION

- Strong plug, for use with chipboard screws, wood screws and spacer screws. The rim prevents the plug from slipping into the drill hole, but also allows push-through installation.

### ADVANTAGES

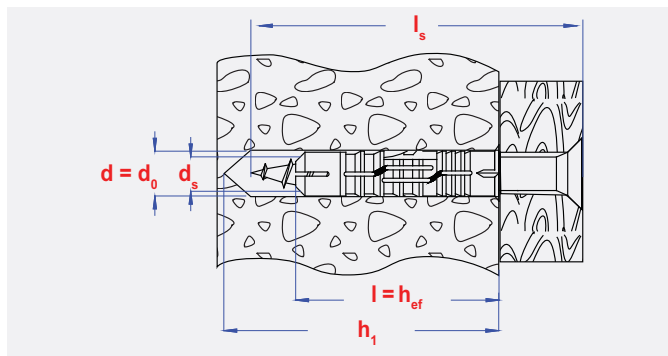
- The anti-rotation wings prevent the plug rotating in the drill hole.
- The expansion-free plug neck helps to prevent damage to tiles and plaster.
- The plug geometry provides offers high load-bearing capacities in solid and semi-solid building materials.

### APPLICATIONS

- All objects which can be fixed with wood screws or chipboard screws, such as: picture frames, cup-boards, skirting boards, towel rails, soap dishes, letter boxes, alarm units, curtain rails, ...

### FUNCTIONING

- Pre-positioned and push-through installation.
- When turning in the screw, the plug expands, providing a secure anchoring in solid and soft building materials.
- The required screw length = plug length + board material thickness + fixture thickness + 1x screw diameter.



### TECHNICAL DATA

d	l	d <sub>0</sub>	h <sub>1</sub>	d <sub>s</sub>	h <sub>ef</sub>
[mm]	[mm]	[mm]	[mm]	[mm]	[mm]
5	25	5	35	3,0-4,0	25
6	30	6	40	4,0-5,0	30
8	40	8	55	4,5-6,0	40
10	50	10	65	6,0-8,0	50
12	60	12	75	8,0-10	60
14	70	14	85	10-12	70

### INSTALLATION SCHEME







Nylon multifunctional plug with collar



Nylon multifunctional plug with collar

**CARTON BOX PACKING**

size	pgb code	EAN13		
5x25	SM0BP305025 N	5902134709444	200	
6x30	SM0BP306030 N	5902134709451	200	
8x40	SM0BP308040 N	5902134709468	200	
10x50	SM0BP310050 N	5902134709475	100	
12x60	SM0BP312060 N	5902134709482	50	
14x70	SM0BP314070 N	5902134709499	25	

**WINDOW BOX PACKING**

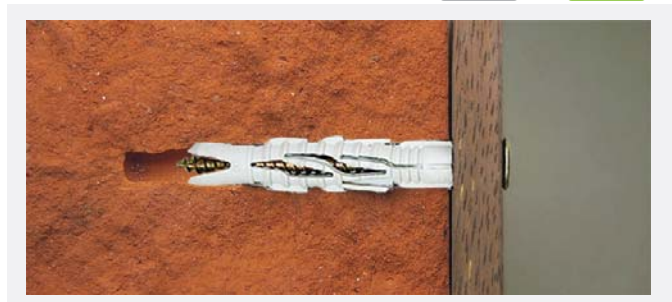
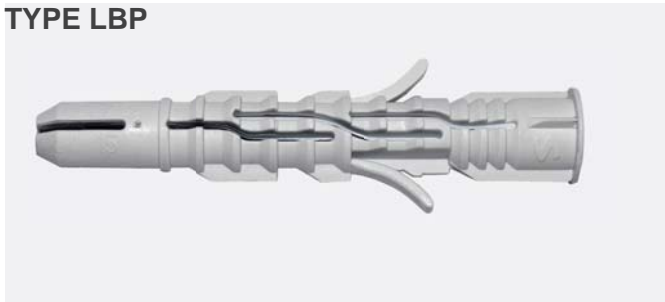
size	pgb code	EAN13		
5x25	SM0BPE05025 N	5902134703671	100	
6x30	SM0BPE06030 N	5902134703688	100	
8x40	SM0BPE08040 N	5902134703695	100	
10x50	SM0BPE10050 N	5902134703718	50	
12x60	SM0BPE12060 N	5902134703732	25	
14x70	SM0BPE14070 N	5902134703749	20	

# SMLBP

## NYLON MULTIFUNCTIONAL PLUG WITH COLLAR, LONG VERSION



### TYPE LBP



### BEST SUITABLE FOR



### ALSO SUITABLE FOR

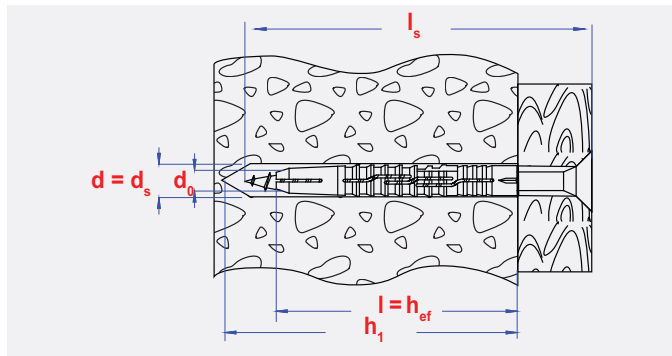
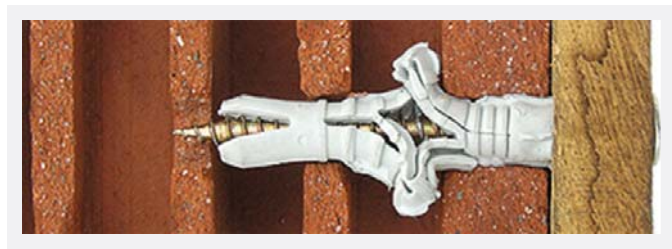


### DESCRIPTION

- Strong plug, for use with chipboard screws, wood screws and spacer screws. The rim prevents the plug from slipping into the drill hole.

### ADVANTAGES

- The anti-rotation wings prevent the plug rotating in the drill hole.
- The expansion-free plug neck helps to prevent damage to tiles and plaster.
- Extended expansion zone to ensure an excellent grip also in soft building materials



### APPLICATIONS

- All objects which can be fixed with wood screws or chipboard screws, such as: picture frames, cup-boards, skirting boards, towel rails, soap dishes, letter boxes, alarm units, curtain rails, ...

### TECHNICAL DATA

d	l	d <sub>0</sub>	h <sub>1</sub>	d <sub>s</sub>	h <sub>ef</sub>
[mm]	[mm]	[mm]	[mm]	[mm]	[mm]
6	50	6	65	4,0-5,0	50
8	60	8	75	4,5-6,0	60
10	70	10	85	6,0-8,0	70

### FUNCTIONING

- Pre-positioned and push-through installation.
- When turning in the screw, the plug expands, providing a secure anchoring in solid and soft building materials.
- The required screw length = plug length + board material thickness + fixture thickness + 1x screw diameter.


### INSTALLATION SCHEME





Nylon multifunctional plug with collar, long version


**CARTON BOX PACKING**

size	pgb code	EAN13		
6x50	SMLBP306050 N	5902134722092	100	
8x60	SMLBP308060 N	5902134719597	100	
10x70	SMLBP310070 N	5902134719603	50	



Nylon multifunctional plug with collar, long version

**WINDOW BOX PACKING**

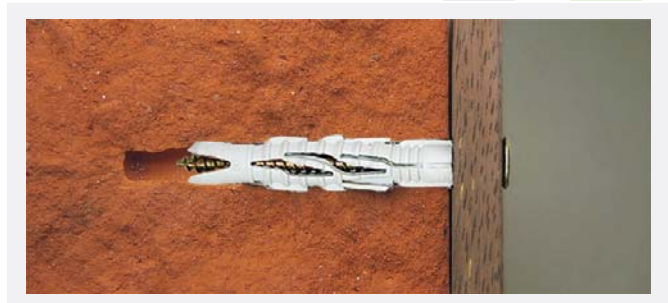
size	pgb code	EAN13		
6x50	SMLBPE06050 N	5902134722108	50	
8x60	SMLBPE08060 N	5902134720692	50	
10x70	SMLBPE10070 N	5902134720708	25	

# SMOLP

## NYLON MULTIFUNCTIONAL PLUG WITHOUT COLLAR, LONG VERSION



### TYPE LP



### BEST SUITABLE FOR



### ALSO SUITABLE FOR

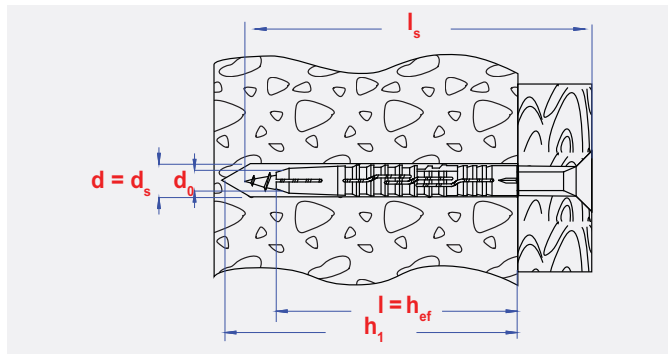
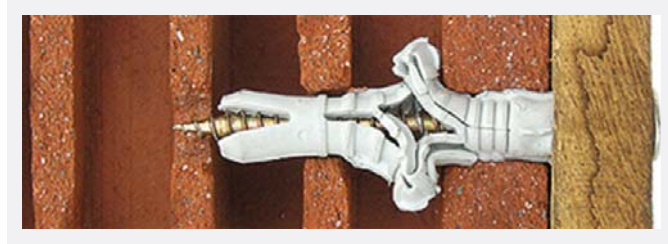


### DESCRIPTION

- Strong plug, for use with chipboard screws, wood screws and spacer screws.

### ADVANTAGES

- The anti-rotation wings prevent the plug rotating in the drill hole.
- The expansion-free plug neck helps to prevent damage to tiles and plaster.
- Extended expansion zone to ensure an excellent grip also in soft building materials



### APPLICATIONS

- All objects which can be fixed with wood screws or chipboard screws, such as: picture frames, cup-boards, skirting boards, towel rails, soap dishes, letter boxes, alarm units, curtain rails, ...

### TECHNICAL DATA

d	l	d <sub>0</sub>	h <sub>1</sub>	d <sub>s</sub>	h <sub>ef</sub>
[mm]	[mm]	[mm]	[mm]	[mm]	[mm]
6	50	6	65	4,0-5,0	50
8	60	8	75	4,5-6,0	60
10	70	10	85	6,0-8,0	70
6	50	6	65	4,0-5,0	50
8	60	8	75	4,5-6,0	60
10	70	10	85	6,0-8,0	70

### FUNCTIONING

- Pre-positioned and push-through installation.
- When turning in the screw, the plug expands, providing a secure anchoring in solid and soft building materials.
- The required screw length = plug length + board material thickness + fixture thickness + 1x screw diameter.


### INSTALLATION SCHEME





Nylon multifunctional plug without collar, long version


**CARTON BOX PACKING**

size	pgb code	EAN13		
6x50	SM0LP306050 N	5902134709505	100	
8x60	SM0LP308060 N	5902134709512	100	
10x70	SM0LP310070 N	5902134709529	50	



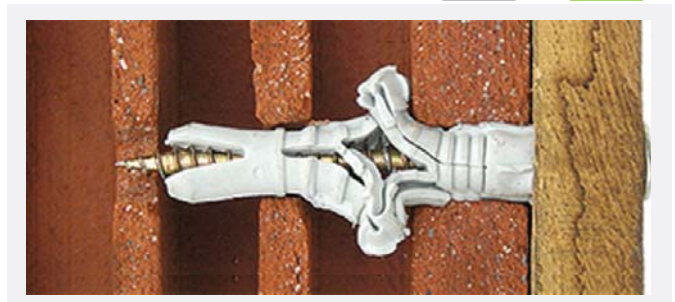
Nylon multifunctional plug without collar, long version

**WINDOW BOX PACKING**

size	pgb code	EAN13		
6x50	SM0LPE06050 N	5902134705750	50	
8x60	SM0LPE08060 N	5902134703701	50	
10x70	SM0LPE10070 N	5902134703725	50	

# SMPUS

## MULTIFUNCTIONAL PLUG WITH CHIPBOARD SCREW



### BEST SUITABLE FOR



### ALSO SUITABLE FOR



### DESCRIPTION

- Strong nylon plug type BP with chipboard screw.

### ADVANTAGES

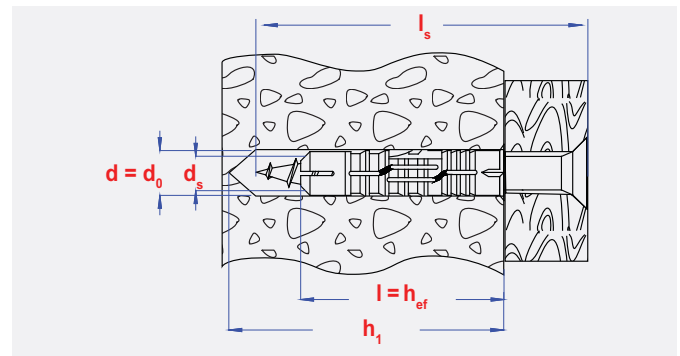
- The anti-rotation wings prevent the plug rotating in the drill hole.
- The expansion-free plug neck helps to prevent damage to tiles and plaster.
- The plug geometry provides offers high load-bearing capacities in solid and semi-solid building materials.

### APPLICATIONS

- All objects which can be fixed with wood screws or chipboard screws, such as: picture frames, cup-boards, skirting boards, towel rails, soap dishes, letter boxes, alarm units, curtain rails, ...

### FUNCTIONING

- Pre-positioned and push-through installation.
- When turning in the screw, the plug expands, providing a secure anchoring in solid and soft building materials.



### TECHNICAL DATA

d	l	d <sub>0</sub>	h <sub>1</sub>	d <sub>s</sub>	l <sub>s</sub>	h <sub>ef</sub>	t <sub>fix</sub>
[mm]	[mm]	[mm]	[mm]	[mm]	[mm]	[mm]	[mm]
5	25	5	35	3,0	30	25	5
6	30	6	40	4,0	35	30	5
6	30	6	40	4,0	50	30	10
8	40	8	55	5,0	45	40	15
8	40	8	55	5,0	60	40	20
10	50	10	65	6,0	60	50	10
10	50	10	65	6,0	80	50	30

### INSTALLATION SCHEME





Multifunctional plug with chipboard screw



Multifunctional plug with chipboard screw

### CARTON BOX PACKING

size	pgb code	EAN13		
5x25/3x30	SMPUS303030 NZN	5902134710655	100	
6x30/4x35	SMPUS304035 NZN	5902134710662	100	
6x30/4x50	SMPUS304050 NZN	5902134710679	100	
8x40/5x45	SMPUS305045 NZN	5902134710686	50	
8x40/5x60	SMPUS305060 NZN	5902134710693	50	
10x50/6x60	SMPUS306060 NZN	5902134710709	25	
10x50/6x80	SMPUS306080 NZN	5902134710716	25	

### WINDOW BOX PACKING

size	pgb code	EAN13		
5x25/3x30	SMPUSE03030 NZN	5902134703909	100	
6x30/4x35	SMPUSE04035 NZN	5902134703916	100	
6x30/4x50	SMPUSE04050 NZN	5902134703923	100	
8x40/5x45	SMPUSE05045 NZN	5902134703930	50	
8x40/5x60	SMPUSE05060 NZN	5902134703947	50	
10x50/6x60	SMPUSE06060 NZN	5902134703954	25	
10x50/6x80	SMPUSE06080 NZN	5902134703961	25	

# SMPZS

## MULTIFUNCTIONAL PLUG WITH HEX LAG SCREW



### BEST SUITABLE FOR



### ALSO SUITABLE FOR



### DESCRIPTION

- Strong nylon plug type BP with hexagon lag screw DIN 571.

### ADVANTAGES

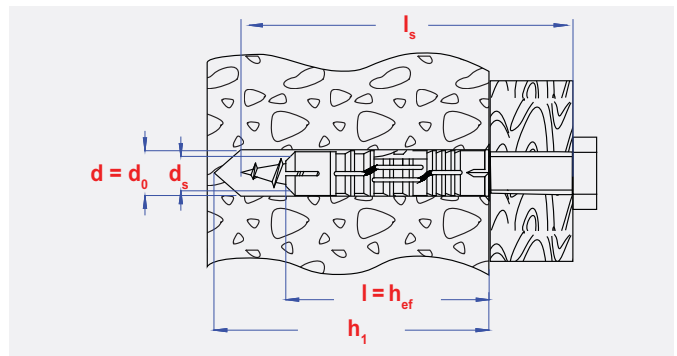
- The anti-rotation wings prevent the plug rotating in the drill hole.
- The expansion-free plug neck helps to prevent damage to tiles and plaster.
- The plug geometry provides offers high load-bearing capacities in solid and semi-solid building materials.

### APPLICATIONS

- All objects which can be fixed with wood screws or chipboard screws, such as: picture frames, cup-boards, skirting boards, towel rails, soap dishes, letter boxes, alarm units, curtain rails, ...

### FUNCTIONING

- Pre-positioned and push-through installation.
- When turning in the screw, the plug expands, providing a secure anchoring in solid and soft building materials.



### TECHNICAL DATA

d	l	d <sub>0</sub>	h <sub>1</sub>	d <sub>s</sub>	l <sub>s</sub>	h <sub>ef</sub>	t <sub>fix</sub>
[mm]	[mm]	[mm]	[mm]	[mm]	[mm]	[mm]	[mm]
*10	50	10	65	6,0	60	50	10
*10	50	10	65	6,0	80	50	30
*10	50	10	65	6,0	100	50	50
12	60	12	75	8,0	70	60	10
12	60	12	75	8,0	80	60	20
12	60	12	75	8,0	90	60	30
12	60	12	75	8,0	100	60	40
12	60	12	75	8,0	120	60	60
12	60	12	75	8,0	140	60	80
12	60	12	75	8,0	160	60	100
14	70	14	90	10	80	70	10
14	70	14	90	10	100	70	30
14	70	14	90	10	120	70	50
14	70	14	90	10	140	70	70
14	70	14	90	10	160	70	90
14	70	14	90	10	180	70	110
14	70	14	90	10	200	70	130

\* Not part of ETA approval.

### INSTALLATION SCHEME







Multifunctional plug with hex lag screw



Multifunctional plug with hex lag screw



### CARTON BOX PACKING

size (plug/screw)	pgb code	EAN13		
12x60/8x70	SMPZS308070 NZN	5902134719610	25	
12x60/8x80	SMPZS308080 NZN	5902134710754	20	
12x60/8x90	SMPZS308090 NZN	5902134719627	20	
12x60/8x100	SMPZS308100 NZN	5902134710761	15	
12x60/8x120	SMPZS308120 NZN	5902134710778	15	
12x60/8x140	SMPZS308140 NZN	5902134719634	10	
12x60/8x160	SMPZS308160 NZN	5902134719641	10	
14x70/10x80	SMPZS310080 NZN	5902134719658	10	
14x70/10x100	SMPZS310100 NZN	5902134710785	10	
14x70/10x120	SMPZS310120 NZN	5902134710792	10	
14x70/10x140	SMPZS310140 NZN	5902134719665	20	
14x70/10x160	SMPZS310160 NZN	5902134719672	20	
14x70/10x180	SMPZS310180 NZN	5902134719689	20	
14x70/10x200	SMPZS310200 NZN	5902134719696	20	

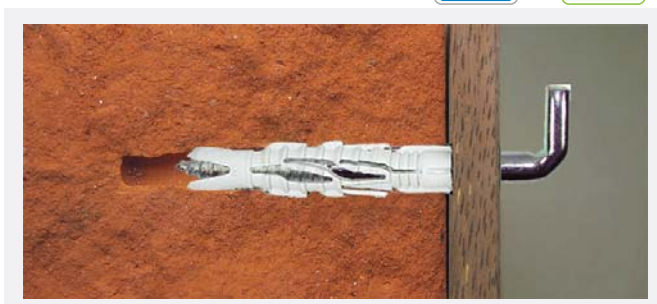
### WINDOW BOX PACKING

size (plug/screw)	pgb code	EAN13		
*10x50/6x60	SMPZSE06060 NZN	5902134704500	25	
*10x50/6x80	SMPZSE06080 NZN	5902134704517	25	
*10x50/6x100	SMPZSE06100 NZN	5902134704524	25	
12x60/8x70	SMPZSE08070 NZN	5902134720494	20	
12x60/8x80	SMPZSE08080 NZN	5902134704531	20	
12x60/8x90	SMPZSE08090 NZN	5902134720500	15	
12x60/8x100	SMPZSE08100 NZN	5902134704548	15	
12x60/8x120	SMPZSE08120 NZN	5902134704555	15	
12x60/8x140	SMPZSE08140 NZN	5902134720517	10	
12x60/8x160	SMPZSE08160 NZN	5902134720685	10	
14x70/10x80	SMPZSE10080 NZN	5902134720524	10	
14x70/10x100	SMPZSE10100 NZN	5902134704562	10	
14x70/10x120	SMPZSE10120 NZN	5902134704579	10	
14x70/10x140	SMPZSE10140 NZN	5902134720531	20	
14x70/10x160	SMPZSE10160 NZN	5902134720548	20	
14x70/10x180	SMPZSE10180 NZN	5902134720555	20	
14x70/10x200	SMPZSE10200 NZN	5902134720562	20	

CE 1488 / 11	
pgb-Polska sp. z.o.o.	
1488-CPD-0230/Z SMART frame anchors ETA-10/0392 ETAG 020-1 / 10mm European Technical Approval For use in concrete and solid or perforated masonry for non-structural applications	

# SMP SH

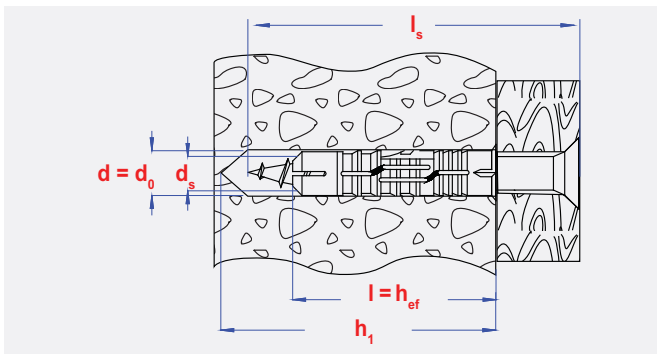
## MULTIFUNCTIONAL PLUG WITH DIFFERENT HOOK TYPES



### BEST SUITABLE FOR



### ALSO SUITABLE FOR



### DESCRIPTION

- Strong nylon plug type BP with different hook types.

### ADVANTAGES

- The anti-rotation wings prevent the plug rotating in the drill hole.
- The expansion-free plug neck helps to prevent damage to tiles and plaster.
- The plug geometry provides offers high load-bearing capacities in solid and semi-solid building materials.

### TECHNICAL DATA CUP HOOK

d	l	d <sub>0</sub>	h <sub>1</sub>	d <sub>s</sub>	l <sub>s</sub>	h <sub>ef</sub>
[mm]	[mm]	[mm]	[mm]	[mm]	[mm]	[mm]
6	30	6	40	4,0	35	30
8	40	8	55	5,0	45	40
10	50	10	65	6,0	55	50
12	60	12	75	8,0	65	60



### APPLICATIONS

- All objects which can be fixed with wood screws or chipboard screws, such as: picture frames, cup-boards, skirting boards, towel rails, soap dishes, letter boxes, alarm units, curtain rails, ...

### TECHNICAL DATA SQUARE HOOK

d	l	d <sub>0</sub>	h <sub>1</sub>	d <sub>s</sub>	l <sub>s</sub>	h <sub>ef</sub>
[mm]	[mm]	[mm]	[mm]	[mm]	[mm]	[mm]
6	30	6	40	4,0	38	30
8	40	8	55	5,0	48	40
10	50	10	65	6,0	60	50
12	60	12	75	8,0	70	60



### FUNCTIONING

- Pre-positioned and push-through installation.
- When turning in the screw, the plug expands, providing a secure anchoring in solid and soft building materials.

### INSTALLATION SCHEME






Multifunctional plug with cup hook




Multifunctional plug with L-hook

**WINDOW BOX PACKING**

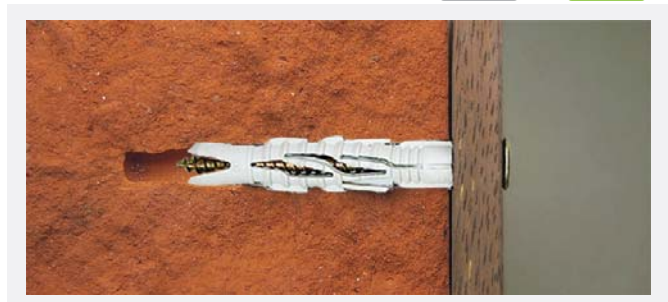
size	pgb code	EAN13		
6x30/4x35	SMP SHE04035 NZN	5902134704210	50	
8x40/5x45	SMP SHE05042 NZN	5902134704227	25	
10x50/6x55	SMP SHE06055 NZN	5902134704234	20	
12x60/8x65	SMP SHE08065 NZN	5902134704241	15	

**WINDOW BOX PACKING**

size	pgb code	EAN13		
6x30/4x38	SMP SDE04038 NZN	5902134704098	50	
8x40/5x48	SMP SDE05048 NZN	5902134704104	25	
10x50/6x60	SMP SDE06060 NZN	5902134704111	20	
12x60/8x70	SMP SDE08070 NZN	5902134704128	15	

# SMLPS

## LONG MULTIFUNCTIONAL PLUG WITH CHIPBOARD SCREW



### BEST SUITABLE FOR



### ALSO SUITABLE FOR



### DESCRIPTION

- Strong nylon plug type LBP with chipboard screw, with ETA approval for use in concrete and solid or perforated masonry.

### ADVANTAGES

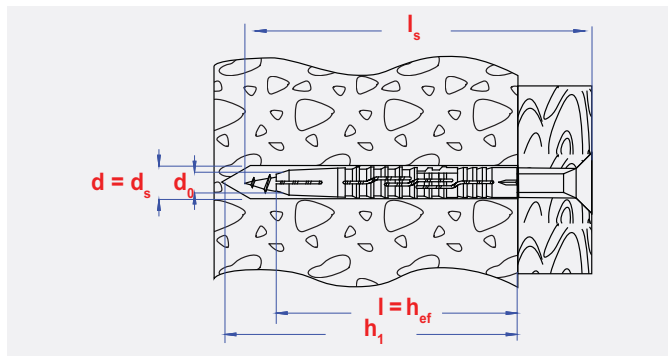
- The anti-rotation wings prevent the plug rotating in the drill hole.
- The expansion-free plug neck helps to prevent damage to tiles and plaster.
- The plug geometry provides offers high load-bearing capacities in solid and semi-solid building materials.

### APPLICATIONS

- All objects which can be fixed with wood screws or chipboard screws, such as: picture frames, cup-boards, skirting boards, towel rails, soap dishes, letter boxes, alarm units, curtain rails, ...

### FUNCTIONING

- Pre-positioned and push-through installation.
- When turning in the screw, the plug expands, providing a secure anchoring in solid and soft building materials.



### TECHNICAL DATA

d	l	d <sub>0</sub>	h <sub>1</sub>	d <sub>s</sub>	l <sub>s</sub>	h <sub>ef</sub>	t <sub>fix</sub>
[mm]	[mm]	[mm]	[mm]	[mm]	[mm]	[mm]	[mm]
8	60	8	75	6,0	70	60	10
8	60	8	75	6,0	80	60	20
8	60	8	75	6,0	90	60	30
8	60	8	75	6,0	100	60	40
8	60	8	75	6,0	120	60	60

### INSTALLATION SCHEME



CE 1488 / 11  
pgb-Polska sp. z.o.o.

1488-CPD-0230/Z  
SMART frame anchors  
ETA-10/0392  
ETAG 020-1 / 10mm  
European Technical Approval  
For use in concrete and solid  
or perforated masonry for  
non-structural applications



Long multifunctional plug with chipboard screw



Long multifunctional plug with chipboard screw

**CARTON BOX PACKING**

size	pgb code	EAN13		
8x60/6x70	SMLPS306070 NZN	5902134719481	50	
8x60/6x80	SMLPS306080 NZN	5902134719498	50	
8x60/6x90	SMLPS306090 NZN	5902134719504	50	
8x60/6x100	SMLPS306100 NZN	5902134719511	25	
8x60/6x120	SMLPS306120 NZN	5902134719528	25	

**WINDOW BOX PACKING**

size	pgb code	EAN13		
8x60/6x70	SMLPSE06070 NZN	5902134720579	25	
8x60/6x80	SMLPSE06080 NZN	5902134720586	25	
8x60/6x90	SMLPSE06090 NZN	5902134720593	25	
8x60/6x100	SMLPSE06100 NZN	5902134720609	15	
8x60/6x120	SMLPSE06120 NZN	5902134720616	15	

# SMLPZ

## LONG MULTIFUNCTIONAL PLUG WITH HEX LAG SCREW



### BEST SUITABLE FOR



### ALSO SUITABLE FOR



### DESCRIPTION

- Strong nylon plug type LBP with hex lag screw DIN 571, with ETA approval for use in concrete and solid or perforated masonry.

### ADVANTAGES

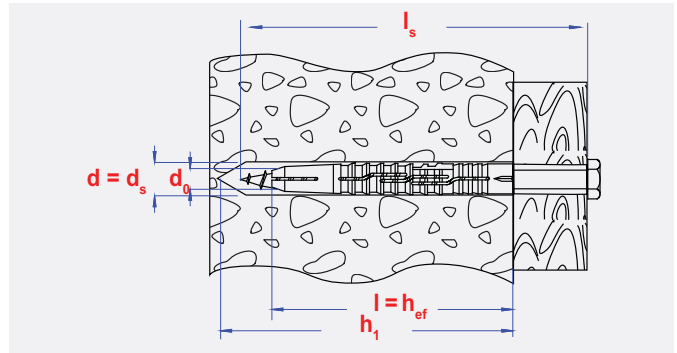
- The anti-rotation wings prevent the plug rotating in the drill hole.
- The expansion-free plug neck helps to prevent damage to tiles and plaster.
- The plug geometry provides offers high load-bearing capacities in solid and semi-solid building materials.

### APPLICATIONS

- All objects which can be fixed with wood screws or chipboard screws, such as: picture frames, cup-boards, skirting boards, towel rails, soap dishes, letter boxes, alarm units, curtain rails, ...

### FUNCTIONING

- Pre-positioned and push-through installation.
- When turning in the screw, the plug expands, providing a secure anchoring in solid and soft building materials.



### TECHNICAL DATA

d	l	d <sub>0</sub>	h <sub>1</sub>	d <sub>s</sub>	l <sub>s</sub>	h <sub>ef</sub>	t <sub>fix</sub>
[mm]	[mm]	[mm]	[mm]	[mm]	[mm]	[mm]	[mm]
10	70	10	85	8,0	80	70	10
10	70	10	85	8,0	90	70	20
10	70	10	85	8,0	100	70	30
10	70	10	85	8,0	120	70	50
10	70	10	85	8,0	140	70	70
10	70	10	85	8,0	160	70	90

CE 1488 / 11  
pgb-Polska sp. z.o.o.

1488-CPD-0230/Z  
SMART frame anchors  
ETA-10/0392  
ETAG 020-1 / 10mm  
European Technical Approval  
For use in concrete and solid  
or perforated masonry for  
non-structural applications

### INSTALLATION SCHEME





Long multifunctional plug with hex lag screw



Long multifunctional plug with hex lag screw

**CARTON BOX PACKING**

size	pgb code	EAN13		
10x70/8x80	SMLPZ308080 NZN	5902134719535	25	
10x70/8x90	SMLPZ308090 NZN	5902134719542	20	
10x70/8x100	SMLPZ308100 NZN	5902134719559	15	
10x70/8x120	SMLPZ308120 NZN	5902134719566	15	
10x70/8x140	SMLPZ308140 NZN	5902134719573	10	
10x70/8x160	SMLPZ308160 NZN	5902134719580	10	

**WINDOW BOX PACKING**

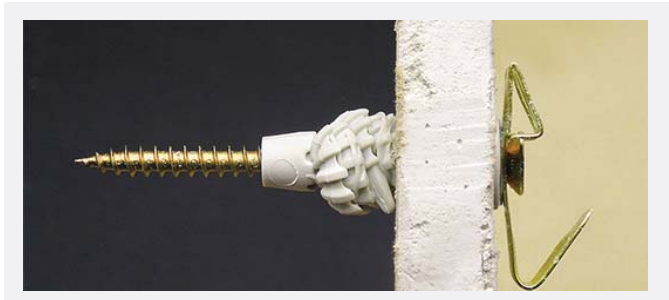
size	pgb code	EAN13		
10x70/8x80	SMLPZE08080 NZN	5902134720623	15	
10x70/8x90	SMLPZE08090 NZN	5902134720630	15	
10x70/8x100	SMLPZE08100 NZN	5902134720647	10	
10x70/8x120	SMLPZE08120 NZN	5902134720654	10	
10x70/8x140	SMLPZE08140 NZN	5902134720661	5	
10x70/8x160	SMLPZE08160 NZN	5902134720678	5	

# SMOUP

## NYLON 4-SIDE EXPANSION UNIVERSAL PLUG WITH COLLAR



### TYPE UP



### BEST SUITABLE FOR



### ALSO SUITABLE FOR



### DESCRIPTION

- Innovative universal plug with collar for the fastening of average loads in all construction materials. For use with chipboard screws and other wood screws. The rim prevents the plug from slipping into the drill hole, but also allows push-through installation.

### ADVANTAGES

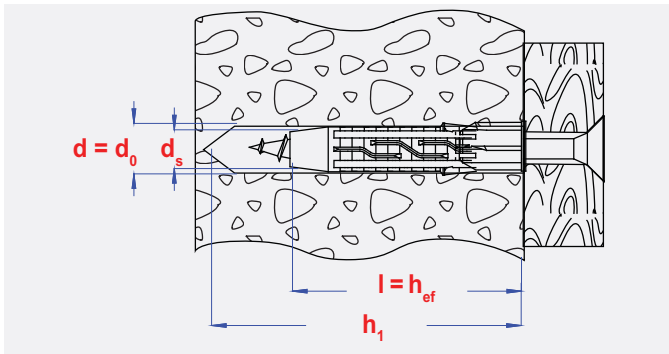
- The anti-rotation wings prevent the plug rotating in the drill hole.
- Elastic stop collar prevents the plug from slipping into the drill hole, but can be pushed through when needed.
- The central part of the plug is designed to permit the screw to pass rapidly, allowing a swift and easy installation.

### APPLICATIONS

- All objects which can be fixed with wood screws or chipboard screws, such as: picture frames, cup-boards, skirting boards, towel rails, soap dishes, letter boxes, alarm units, curtain rails, ...

### FUNCTIONING

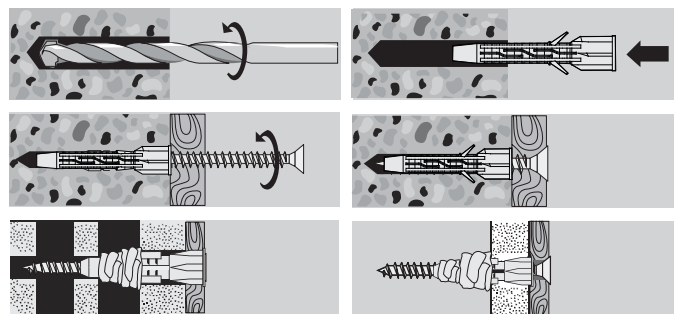
- Pre-positioned and push-through installation.
- The 4 expansion zones assure optimum hold in all situations: expansion by pressure in solid materials and knot expansion in hollow supports.
- The required screw length = plug length + board material thickness + fixture thickness + 1x screw diameter.



### TECHNICAL DATA

d	l	d <sub>0</sub>	h <sub>1</sub>	d <sub>s</sub>	h <sub>ef</sub>
[mm]	[mm]	[mm]	[mm]	[mm]	[mm]
6	35	6	45	4,0	35
8	50	8	65	4,5	50
10	60	10	75	5,0	60

### INSTALLATION SCHEME



When mounting in drywall and board materials, always use the smallest screw diameter.


When using in solid materials, it is recommended to use the biggest screw diameter indicated.





Nylon 4-side expansion universal plug with collar


**CARTON BOX PACKING**

size	pgb code	EAN13		
6x35	SM0UP306035 N	5902134718248	200	
8x50	SM0UP308050 N	5902134718255	100	
10x60	SM0UP310060 N	5902134718262	50	



Nylon 4-side expansion universal plug with collar

**WINDOW BOX PACKING**

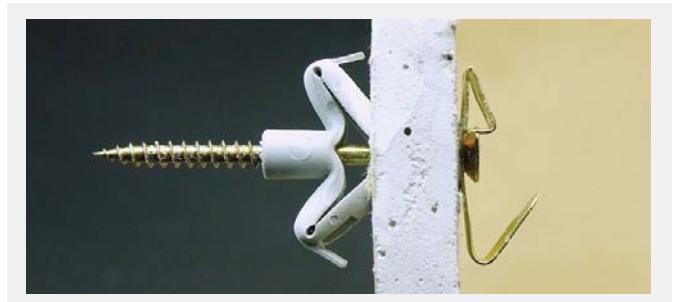
size	pgb code	EAN13		
6x35	SM0UPE06035 N	5902134718316	100	
8x50	SM0UPE08050 N	5902134718323	50	
10x60	SM0UPE10060 N	5902134718330	25	

# SMMFP

## NYLON UNIVERSAL PLUG WITH COLLAR



### TYPE MFP



### BEST SUITABLE FOR



### ALSO SUITABLE FOR



### DESCRIPTION

- A universal nylon plug with excellent results in main construction materials. It is ideal for fixings in hollow and perforated base materials. For use with chipboard screws and other wood screws. The rim prevents the plug from slipping into the drill hole, but also allows push-through installation.

### ADVANTAGES

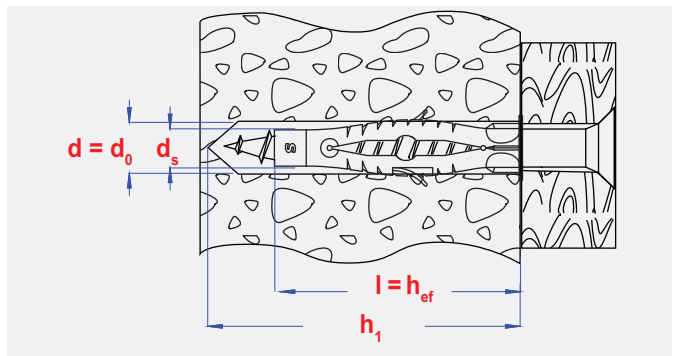
- The anti-rotation wings prevent the plug rotating in the drill hole.
- Sturdy expansion zones, assuring an optimum behaviour in all building materials.
- Strong knot expansion in hollow materials.

### APPLICATIONS

- All objects which can be fixed with wood screws or chipboard screws, such as: picture frames, cup-boards, skirting boards, towel rails, soap dishes, letter boxes, alarm units, curtain rails, ...

### FUNCTIONING

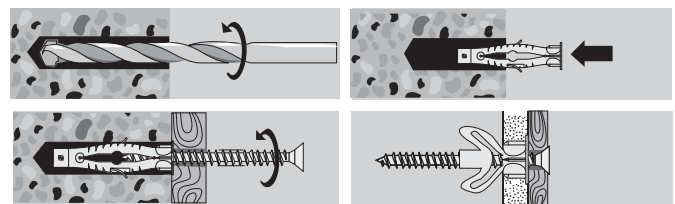
- Pre-positioned and push-through installation.
- Thanks to its versatility its is very much liked by professional craftsmen such as electricians and installers. When turning in the screw, the plug expands in 2 directions, providing a secure anchoring in solid and soft building materials.
- The required screw length = plug length + board material thickness + fixture thickness + 1x screw diameter.



### TECHNICAL DATA

d	l	d <sub>0</sub>	h <sub>1</sub>	d <sub>s</sub>	l <sub>s</sub>	h <sub>ef</sub>	t <sub>fix</sub>	S
[mm]	[mm]	[mm]	[mm]	[mm]	[mm]	[mm]	[mm]	[mm]
6	40	6	45	4,0		40		
8	50	8	65	4,5		50		
10	60	10	75	5,0		60		


### INSTALLATION SCHEME





Nylon universal plug with collar

**CARTON BOX PACKING**

size	pgb code	EAN13		
6x40	SMMFP306040 N	5902134724164	200	
8x50	SMMFP308050 N	5902134724171	100	
10x60	SMMFP310060 N	5902134724188	50	

# SMLPL

## LONG NYLON PLUG WITH LONG EXPANSION ZONE



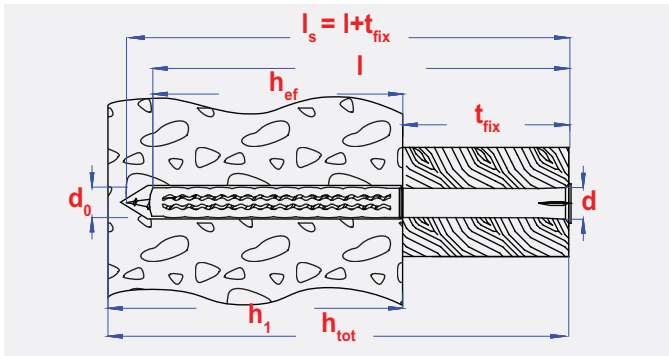
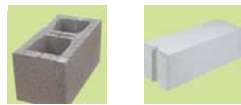
### TYPE LPL



### BEST SUITABLE FOR



### ALSO SUITABLE FOR



### DESCRIPTION

- Long plug with long expansion zone for optimal anchoring in all building materials. For use with chipboard screws and hexagon lag screws.

### ADVANTAGES

- Anti-rotation rims under the head prevent the plug from rotating while mounting the screw.
- The integrated screw block system prevents the plug from expanding prematurely.
- Strong knot expansion for high performance on different profiles.

### TECHNICAL DATA

d	l	d <sub>0</sub>	h <sub>1</sub>	d <sub>s</sub>	l <sub>s</sub>	h <sub>ef</sub>	t <sub>fix</sub>
[mm]	[mm]	[mm]	[mm]	[mm]	[mm]	[mm]	[mm]
8	80	8	80	5,0-6,0	85	70	10
8	100	8	80	5,0-6,0	105	70	30
8	120	8	80	5,0-6,0	125	70	50
10	80	10	80	6,0-8,0	85	70	10
10	100	10	80	6,0-8,0	105	70	30
10	120	10	80	6,0-8,0	125	70	50

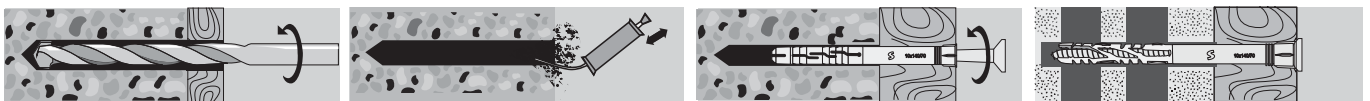
### APPLICATIONS

- For the fixing of gates, frames, doors, windows, balustrades, metal and wooden supporting constructions for facades and roofs, ...

### FUNCTIONING

- Push-through installation.
- When turning in the screw, the plug expands in 4 directions, providing a secure anchoring in solid and soft building materials.
- The required screw length = plug length + board material thickness + fixture thickness + 1x screw diameter.

### INSTALLATION SCHEME





Long nylon plug with long expansion zone



Long nylon plug with long expansion zone

**CARTON BOX PACKING**

size	pgb code	EAN13		
8x80	SMLPL308080 N	5902134718187	50	
8x100	SMLPL308100 N	5902134718194	50	
8x120	SMLPL308120 N	5902134718200	50	
10x80	SMLPL310080 N	5902134718217	50	
10x100	SMLPL310100 N	5902134718224	50	
10x120	SMLPL310120 N	5902134718231	50	

**WINDOW BOX PACKING**

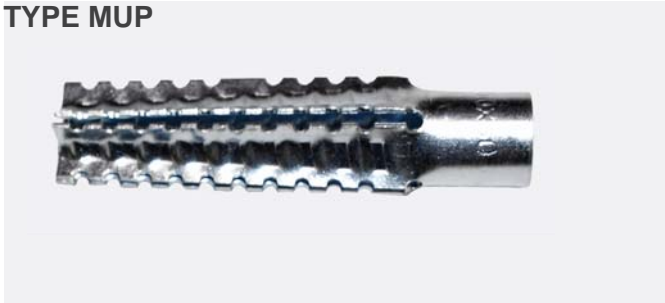
size	pgb code	EAN13		
8x80	SMLPLE08080 N	5902134718026	25	
8x100	SMLPLE08100 N	5902134718033	25	
8x120	SMLPLE08120 N	5902134718040	25	
10x80	SMLPLE10080 N	5902134718057	25	
10x100	SMLPLE10100 N	5902134718064	25	
10x120	SMLPLE10120 N	5902134718071	25	

# SMMUP

## METAL UNIVERSAL PLUG



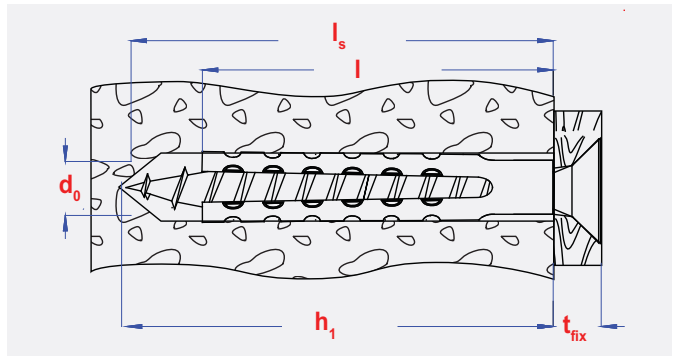
### TYPE MUP



#### BEST SUITABLE FOR



#### ALSO SUITABLE FOR



#### DESCRIPTION

- Saw steel plug, commonly used in sanitary applications. For use with wood screws and selftapping screws.

#### ADVANTAGES

- The ribbed inner design allows a perfect screw guidance.
- In cellular concrete there is no predrilling needed: the plug can be hammered-in directly.
- The external teeth expand in the building material.

#### TECHNICAL DATA

d	l	d <sub>0</sub>	h <sub>1</sub>	d <sub>s</sub>	h <sub>ef</sub>
[mm]	[mm]	[mm]	[mm]	[mm]	[mm]
6	32	6-7	40	5,0-6,0	32
8	38	10-12	50	6,0-8,0	38
8	60	10-12	70	6,0-8,0	60
10	60	12-14	70	8-10	60

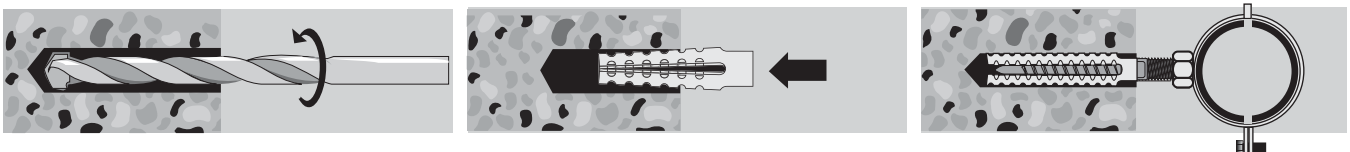
#### APPLICATIONS

- For the fixing of cable clamps, pipe clamps, ducts, ...

#### FUNCTIONING

- Pre-positioned installation.
- The plug will expand in 2 directions when turning in the screw.
- The required screw length = plug length + board material thickness + fixture thickness + 1x screw diameter.

#### INSTALLATION SCHEME





Metal universal plug



Metal universal plug

**CARTON BOX PACKING**

size	pgb code	EAN13		
6x32	SMMUP306032 Z	5902134708515	200	
8x38	SMMUP308038 Z	5902134708522	100	
8x60	SMMUP308060 Z	5902134708539	100	
10x60	SMMUP310060 Z	5902134708546	100	

**WINDOW BOX PACKING**

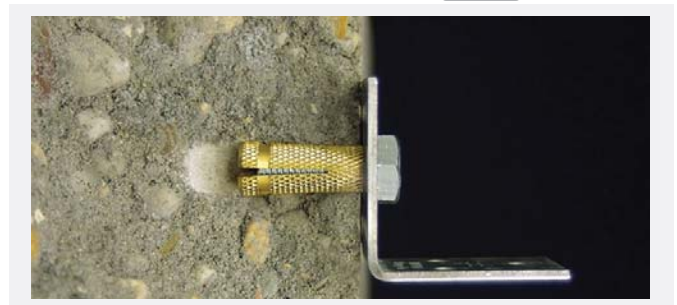
size	pgb code	EAN13		
6x32	SMMUPE06032 Z	5902134705347	100	
8x38	SMMUPE08038 Z	5902134705354	50	
8x60	SMMUPE08060 Z	5902134705361	25	
10x60	SMMUPE10060 Z	5902134705378	25	

# SMMSP

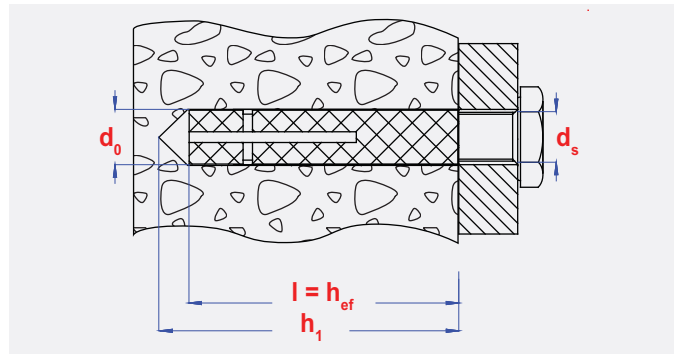
## BRASS ANCHOR



### TYPE MSP



### SUITABLE FOR



### DESCRIPTION

- Brass anchor for use with metric thread screws and threaded rods..

### ADVANTAGES

- The special surface structure (knurls) prevent rotation during tightening.
- Limited size of the plug reduces the drill hole depth and allows a fast installation.
- Resistant to corrosion and suited for middle heavy duty fastenings.

### APPLICATIONS

- For the fixing of small shelves, handrails, curtain rails, wooden and metal sub-structures, ...

### TECHNICAL DATA

d [mm]	l [mm]	d <sub>0</sub> [mm]	h <sub>1</sub> [mm]	d <sub>s</sub> [mm]	h <sub>ef</sub> [mm]
M 4	16	5	20	M 4	16
M 5	20	6	30	M 5	20
M 6	24	8	35	M 6	24
M 7	30	10	40	M 7	30
M 8	27	10	40	M 8	27
M 10	32	12	45	M 10	32
M 12	40	15	50	M 12	40
M 14	43	18	55	M 14	43
M 16	45	20	55	M 16	45

### FUNCTIONING

- Pre-positioned installation.
- When turning in the metric screw, the front part of the brass anchor will expand.
- The required screw length = plug length + fixture thickness.

### INSTALLATION SCHEME







Brass anchor



Brass anchor

### CARTON BOX PACKING

size	pgb code	EAN13		
M 4x16	SMMSP304 MS	5902134708652	100	
M 5x20	SMMSP305 MS	5902134708669	100	
M 6x24	SMMSP306 MS	5902134708676	100	
M 7x30	SMMSP307 MS	5902134708683	100	
M 8x27	SMMSP308 MS	5902134708690	100	
M 10x32	SMMSP310 MS	5902134708706	100	
M 12x40	SMMSP312 MS	5902134708713	100	
M 14x43	SMMSP314 MS	5902134708720	50	
M 16x45	SMMSP316 MS	5902134708737	50	

### WINDOW BOX PACKING

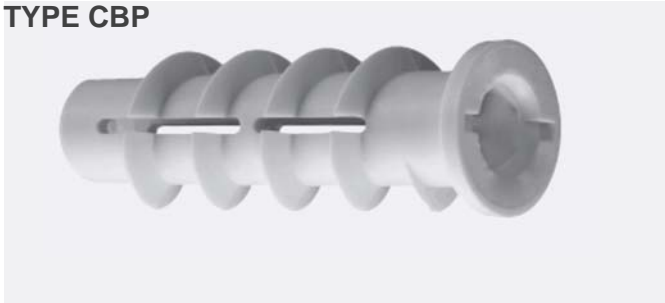
size	pgb code	EAN13		
M 5x20	SMMSPE05 MS	5902134705477	200	
M 6x24	SMMSPE06 MS	5902134705484	100	
M 8x27	SMMSPE08 MS	5902134705491	50	
M 10x32	SMMSPE10 MS	5902134705507	25	
M 12x40	SMMSPE12 MS	5902134705514	20	

# SMCBP

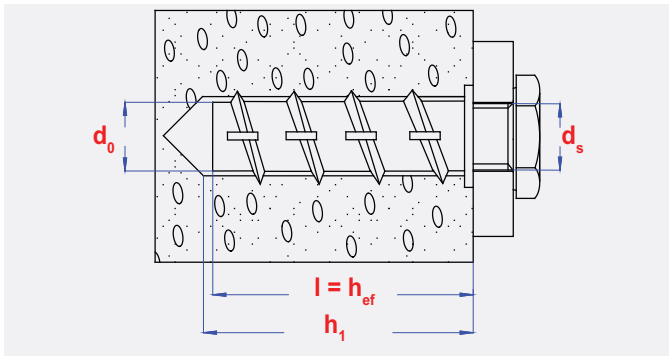
## AERATED CONCRETE PLUG



### TYPE CBP



### SUITABLE FOR



### DESCRIPTION

- Special plug for cellular concrete, for use with both metric thread screws and wood thread screws.

### ADVANTAGES

- The coarse thread taps itself into the aerated concrete.
- Expansion free anchoring allowing small edge and spacing distances and avoids surface splitting.
- Convenient installation with setting tool.

### TECHNICAL DATA

d	l	d <sub>0</sub>	h <sub>1</sub>	d <sub>s</sub>	h <sub>ef</sub>
[mm]	[mm]	[mm]	[mm]	[mm]	[mm]
M 6	50	10	60	5-6 / M 6	50
M 8	60	12	70	7-8 / M 8	60
M 10	70	14	80	9-10 / M 10	70

### APPLICATIONS

- For the fixing of shelves, cable and pipe clamps, letter boxes, ...

### FUNCTIONING

- Pre-positioned installation.
- Use low torque when installing the anchor.
- The required screw length = plug length + fixture thickness.

### INSTALLATION SCHEME






Aerated concrete plug




Setting tool for aerated concrete plugs

**WINDOW BOX PACKING**

size	pgb code	EAN13		
M 6x50	SMCBPE06 N	5902134706535	25	
M 8x60	SMCBPE08 N	5902134706542	20	
M 10x70	SMCBPE10 N	5902134706559	15	

**PRO BOX PACKING**

size	pgb code	EAN13		
M 6	SLCBP,06 N	5410439164245	1	
M 8	SLCBP,08 N	5410439164252	1	
M 10	SLCBP,10 N	5410439164269	1	

# SMCBN

## AERATED CONCRETE NAIL



### TYPE CBN



### TYPE MCB



### SUITABLE FOR



### DESCRIPTION

- Aerated concrete nail with collar or metric thread end with nut.

### ADVANTAGES

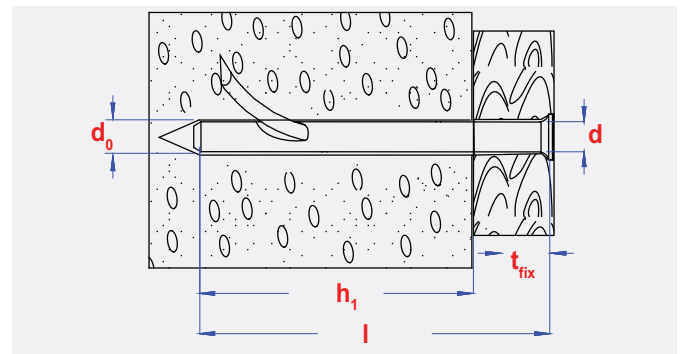
- Easy and quick installation.
- No predrilling necessary in lightweight concrete.
- Expansion free anchoring.

### APPLICATIONS

- For the fixing of small shelves, lights, ...

### FUNCTIONING

- Pre-positioned installation.
- Direct installation into cellular concrete, without predrilling.



### TECHNICAL DATA

d [mm]	l [mm]	d <sub>0</sub> [mm]	h <sub>1</sub> [mm]	h <sub>er</sub> [mm]	t <sub>fix</sub> [mm]
6	60	5	55	50	10
6	90	5	55	50	40
8	90	6	85	80	10
8	115	6	85	80	35
8	130	6	85	80	50



### TECHNICAL DATA

d [mm]	l [mm]	d <sub>0</sub> [mm]	h <sub>1</sub> [mm]	h <sub>er</sub> [mm]	t <sub>fix</sub> [mm]
M 6	60	5	55	50	10
M 6	90	5	55	50	40
M 8	90	6	85	80	10
M 8	115	6	85	80	35
M 8	130	6	85	80	50



### INSTALLATION SCHEME





Aerated concrete nail



Aerated concrete nail

**CARTON BOX PACKING**

size	pgb code	EAN13		
6x60	SMCBN306060 Z	5902134714417	50	
6x90	SMCBN306090 Z	5902134714424	50	
8x90	SMCBN308090 Z	5902134714448	50	
8x115	SMCBN308115 Z	5902134714455	50	
8x130	SMCBN308130 Z	5902134714462	50	

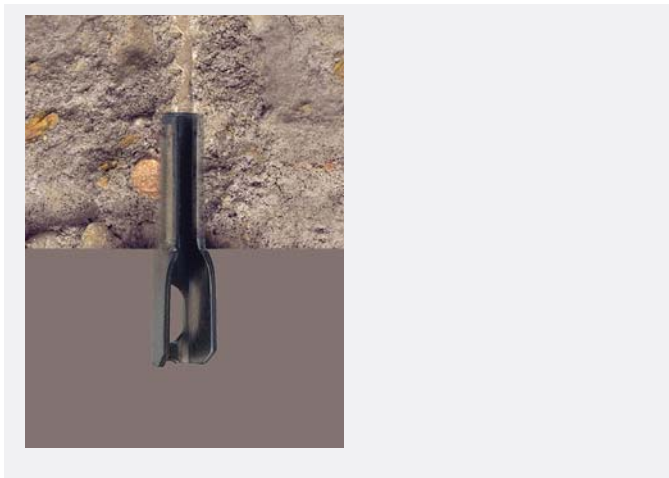
**CARTON BOX PACKING**

size	pgb code	EAN13		
M 6x60	SMMCB306060 Z	5902134714356	50	
M 6x90	SMMCB306090 Z	5902134714363	50	
M 8x90	SMMCB308090 Z	5902134714387	50	
M 8x115	SMMCB308115 Z	5902134714394	50	
M 8x130	SMMCB308130 Z	5902134714400	50	

# SMOPA

## CEILING ANCHOR

### TYPE PA



### SUITABLE FOR



### DESCRIPTION

- Ceiling anchor with slot, made from hardened spring steel.

### ADVANTAGES

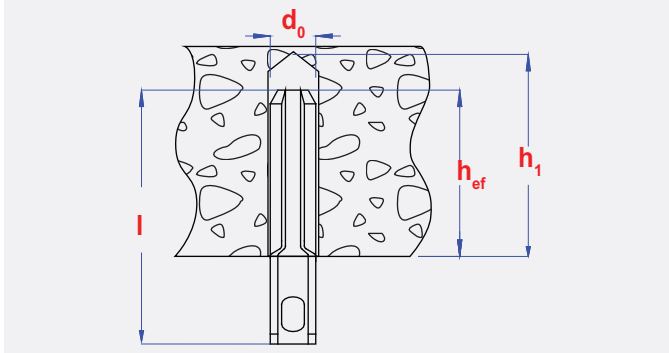
- Easy and quick installation.
- Limited size of the anchor reduces the drill hole depth and allows a fast installation.

### APPLICATIONS

- For use with suspended ceilings

### FUNCTIONING

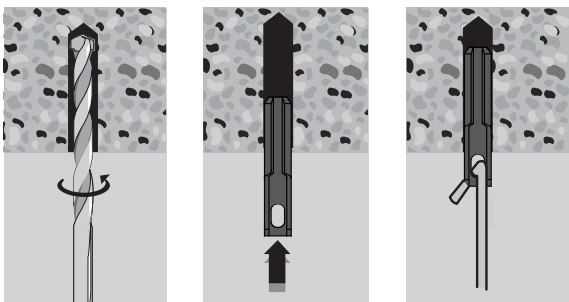
- Pre-positioned installation.
- When the anchor is hammered in, the spring steel presses against the sides of the drilled hole creating a strong and reliable fixing.



### TECHNICAL DATA

d	l	d <sub>0</sub>	h <sub>1</sub>
[mm]	[mm]	[mm]	[mm]
8	42	8	22

### INSTALLATION SCHEME






Ceiling anchor




Ceiling anchor

**CARTON BOX PACKING**

size	pgb code	EAN13		
8x42	SM0PA308040 S	5902134710051	250	

**WINDOW BOX PACKING**

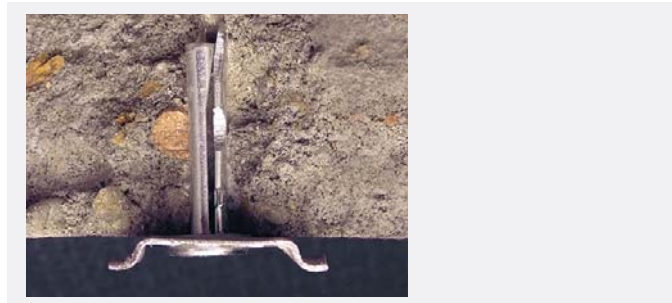
size	pgb code	EAN13		
8x42	SM0PAE08040 S	5902134706566	50	

# SMPSA

## CEILING NAIL ANCHOR



### TYPE PSA



### SUITABLE FOR



### DESCRIPTION

- Fast to install ceiling anchor.

### ADVANTAGES

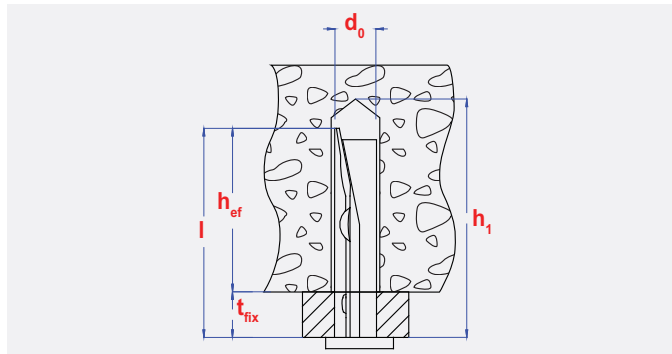
- Reduced drilling depth combined with hammer-in installation.
- Two hit zones for easy and secure installation: first the nail head and then the expansion pin.

### APPLICATIONS

- For the fixing of metal profiles, wire suspensions, chains, punched tapes, ceiling covers, ...

### FUNCTIONING

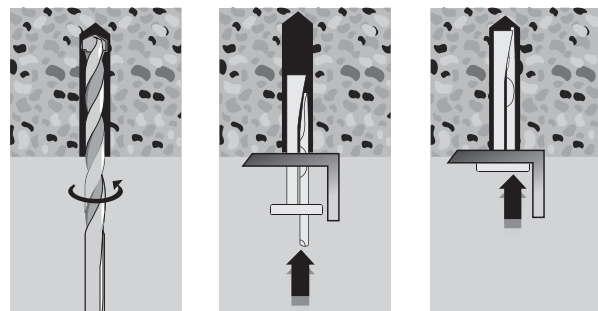
- Push-through installation.
- The anchor is driven into the drill hole by using a hammer until it is firmly set. Do not hit the expansion pin at this stage.
- When the anchor is set, drive the expansion pin in flush to the nail head. The anchor will expand.



### TECHNICAL DATA

d	l	d <sub>0</sub>	h <sub>1</sub>	t <sub>fix</sub>
[mm]	[mm]	[mm]	[mm]	[mm]
6	35	6	32	4,5
6	65	6	32	35

### INSTALLATION SCHEME








Ceiling nail anchor




Ceiling nail anchor

**CARTON BOX PACKING**

size	pgb code	EAN13		
6x35	SMPSA306035 Z	5902134708638	100	
6x65	SMPSA306065 Z	5902134708645	100	

**WINDOW BOX PACKING**

size	pgb code	EAN13		
6x35	SMPSAE06035 Z	5902134705453	25	
6x65	SMPSAE06065 Z	5902134705460	25	

# SMART CAVITY PLUG TYPE PCA



## Advantages at a glance

- ✓ The collar prevents the plug from slipping in the drill hole. Due to its special construction, it allows flush mounting to the surface.
- ✓ The thin fins sink easily in the plasterboard, preventing the plug from rotating when the screw is mounted.
- ✓ The plug will form an "umbrella" in cavities ensuring a solid anchoring.
- ✓ The plug is made from high-quality nylon PA6.
- ✓ Suitable for use in single and double boards.
- ✓ Available with only the plug (SMPCA), or plug with appropriate screw (SMCAS).













# SMART CAVITY PLUG TYPE HWP

## Advantages at a glance

- ✓ Full metallic anchor for use in drywall or other sheet and cavity constructions.
- ✓ The pointed edges under the head prevent the plug from rotating when the screw is mounted.
- ✓ The plug will form an "umbrella" in cavities ensuring a solid anchoring.
- ✓ Tightening by means of a screwdriver or special setting tool.
- ✓ Indication of fixture thickness on the anchor.
- ✓ Available with screw SMHWP, C-hook (SMWPC) and L-hook (SMWPL).





Plasterboard plug	SMGKP		..... 52
Nylon cavity anchor	SMPCA		..... 54
Nylon cavity anchor	SMTPV		..... 56
Metal cavity anchor	SMWHP		..... 58
Spring toggle with screw	SMRSV		..... 60
Spring toggle with cup hook	SMRHA		..... 60
Spring toggle with threaded rod	SMRST		..... 60
Spring toggle with eye hook	SMRSO		..... 60
Gravity anchor	SMPHA		..... 62
Gravity anchor	SMPST		..... 62



# SMGKP

## PLASTERBOARD PLUG

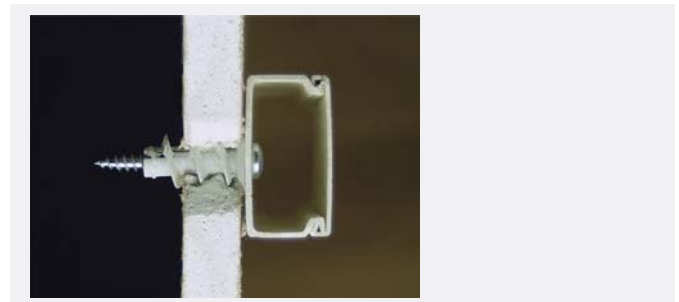


Cavity fixings

### TYPE GKP



### SUITABLE FOR



### DESCRIPTION

- Plasterboard plug for use with wood screws.

### ADVANTAGES

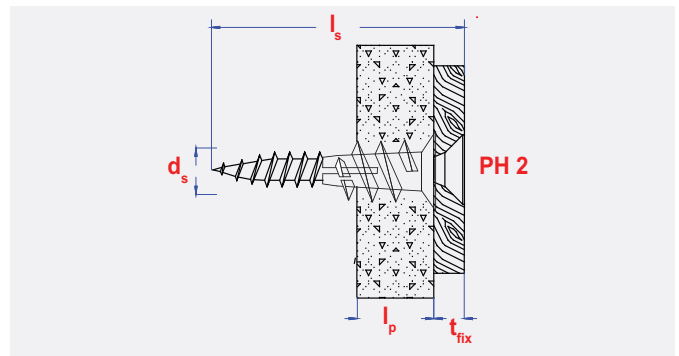
- The fastest fixing for plasterboard: selfdrilling plug, no setting tool needed.
- Self-tapping thread ensures optimal anchorage.
- Non-conductive plastic material.
- The metal version is heat resistant.

### APPLICATIONS

- For the fixing of picture frames, cup-boards, skirting boards, alarm units, ...

### FUNCTIONING

- Pre-positioned installation.
- The fixing is screwed straight into the plasterboard..
- The fixing is especially made for plasterboard. Not suitable for fibreboard and tiled plasterboard.



### TECHNICAL DATA

d	l	d <sub>s</sub>
[mm]	[mm]	[mm]
13	32	3,5-4,5

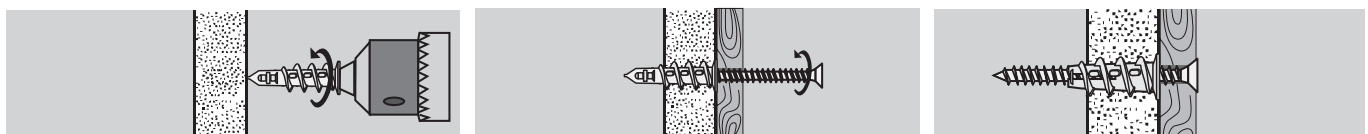


### TECHNICAL DATA

d	l	d <sub>s</sub>
[mm]	[mm]	[mm]
15	29	3,5-4,5



### INSTALLATION SCHEME





Plasterboard plug

**CARTON BOX PACKING**

size	pgb code	EAN13		
13x32	SMGKP304 N	5902134713205	100	



Plasterboard plug

**WINDOW BOX PACKING**

size	pgb code	EAN13		
13x32	SMGKPE04 N	5902134713212	50	



Plasterboard plug

**CARTON BOX PACKING**

size	pgb code	EAN13		
15x29	SMGKP301 S	5902134708287	100	



Plasterboard plug

**WINDOW BOX PACKING**

size	pgb code	EAN13		
15x29	SMGKPE01 S	5902134705446	50	

# SMPCA

## NYLON CAVITY ANCHOR



Cavity fixings

### TYPE CAS

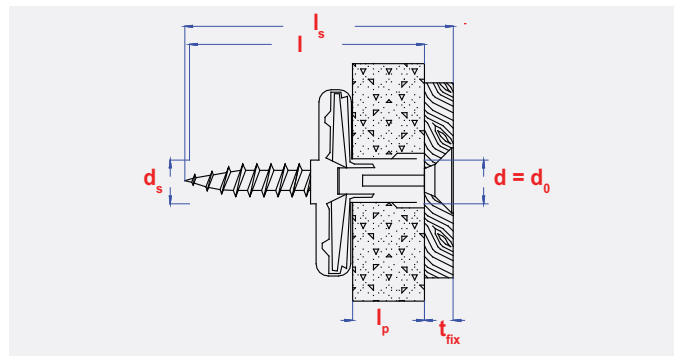
### TYPE PCA



### BEST SUITABLE FOR



### ALSO SUITABLE FOR



### DESCRIPTION

- Special umbrella-shaped plug for cavity fixings, for use with wood screws.

### ADVANTAGES

- Especially suited for single and double plasterboards.
- Collar prevents the plug to slip into the hole.
- Edges on the collar prevent plug from rotating.

### APPLICATIONS

- For the fixing of movement alarm units, curtain rails, lamps, shelves, picture frames, ...

### FUNCTIONING

- Pre-positioned installation.
- When turning in the screw, the plug will form an "umbrella" in hollow building materials.
- The plug is especially made for plasterboard, fibreboard, hardboards and other board materials.

### TECHNICAL DATA

d	l	d <sub>0</sub>	l <sub>p</sub> (max)	d <sub>s</sub>	l <sub>s</sub>	t <sub>fix</sub>
(mm)	(mm)	(mm)	(mm)	(mm)	(mm)	(mm)
10	50	10	10	3,5-4,0		

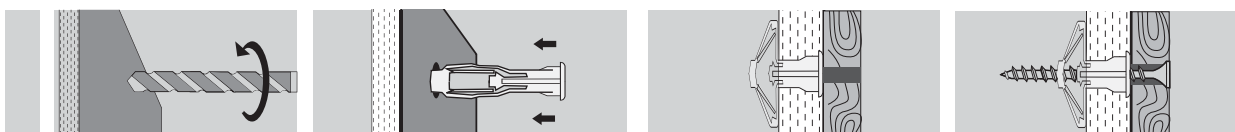


### TECHNICAL DATA

d	l	d <sub>0</sub>	l <sub>p</sub> (max)	d <sub>s</sub>	l <sub>s</sub>	t <sub>fix</sub>
(mm)	(mm)	(mm)	(mm)	(mm)	(mm)	(mm)
10	50	10	10	3,5	55	5



### INSTALLATION SCHEME






Nylon cavity anchor




Nylon cavity anchor

**CARTON BOX PACKING**

size	pgb code	EAN13		
10x50	SMPCA308040 N	5902134708263	25	
10x50 / 3,5x55	SMCAS308040 N	5902134708270	25	

**WINDOW BOX PACKING**

size	pgb code	EAN13		
10x50	SMPCAE08040 N	5902134705521	25	
10x50 / 3,5x55	SMCASE08040 N	5902134705538	25	

Cavity fixings

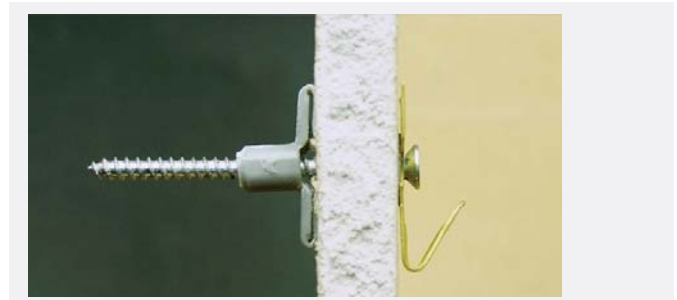
# SMPV

## NYLON CAVITY ANCHOR

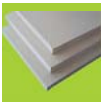


Cavity fixings

### TYPE TPV



### BEST SUITABLE FOR



### ALSO SUITABLE FOR



### DESCRIPTION

- Light cavity plug available with screw and different hook types.

### ADVANTAGES

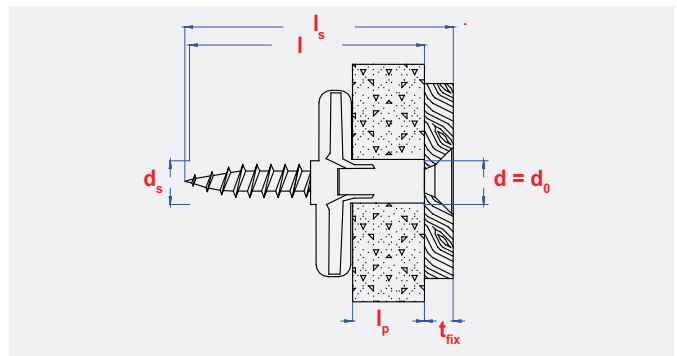
- Designed for fixing light loads on hollow supports and plasterboard.
- Collar prevents the plug to slip into the hole.
- Edges on the collar prevent plug from rotating.

### APPLICATIONS

- For the fixing of movement alarm units, curtain rails, lamps, shelves, picture frames, ...

### FUNCTIONING

- Pre-positioned installation.
- When turning in the screw, the plug will form an “umbrella” in hollow building materials.
- The plug is especially made for plasterboard, fibreboard, hardboards and other board materials.

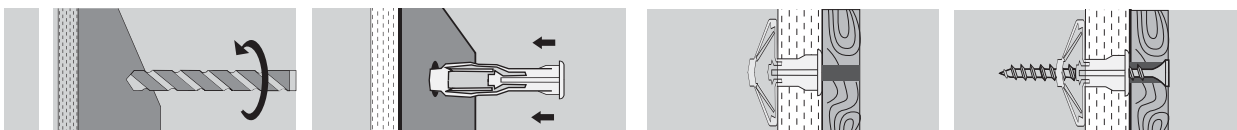


### TECHNICAL DATA

d [mm]	l [mm]	d <sub>0</sub> [mm]	d <sub>s</sub> [mm]	l <sub>s</sub> [mm]	l <sub>p</sub> [mm]	t <sub>fix</sub> [mm]
8	40	8	4,0	45	9-16	5
8	40	8	4,0	45	9-16	5
8	40	8	4,0	45	9-16	5
8	40	8	4,0	45	9-16	5
8	40	8	4,0	45	9-16	5



### INSTALLATION SCHEME













Nylon cavity anchor

WINDOW BOX PACKING

	size	pgb code	EAN13		
	8x40	SMPV1E08040 N	5902134710921	25	
	8x40	SMPV2E08040 N	5902134710938	25	
	8x40	SMPV3E08040 N	5902134710945	25	
	8x40	SMPV4E08040 N	5902134710952	25	
	8x40	SMPV5E08040 N	5902134710969	25	

Cavity fixings

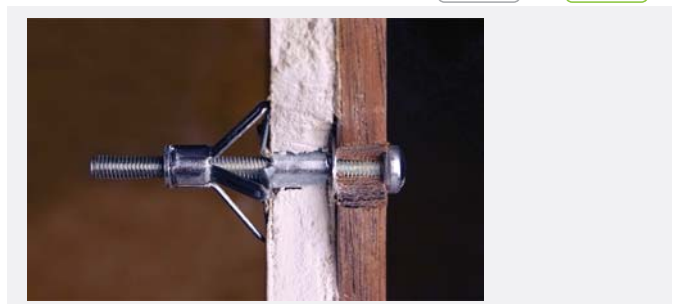
# SMWHP

## METAL CAVITY ANCHOR



Cavity fixings

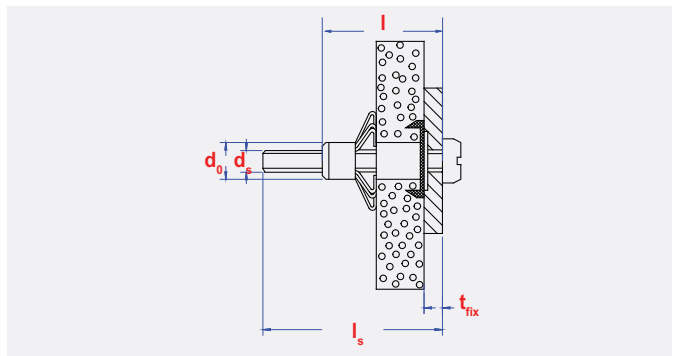
### TYPE HWP



### SUITABLE FOR



### SETTING TOOL



### DESCRIPTION

- Versatile metal cavity anchor with metric screw, L-hook or C-hook.

### ADVANTAGES

- The expanding arms ensure a large supporting for a high load-bearing capacity.
- Simple installation with screwdriver or setting tool.
- The screw may be removed at any time without loss of holding power.

### APPLICATIONS

- For the fixing of picture frames, shelves, wall-mounted cupboards, curtain rails, ...

### FUNCTIONING

- Pre-positioned installation.
- During installation, the expanding arms swing open.
- For the best results, the fixing should be selected based on the thickness of the board building material.

### TECHNICAL DATA

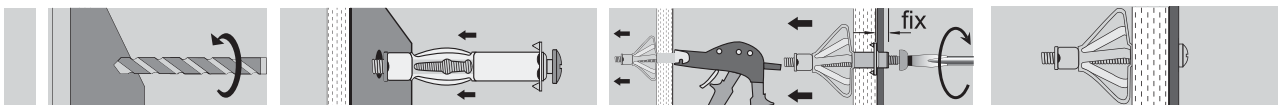
d [mm]	l [mm]	d <sub>0</sub> [mm]	d <sub>s</sub> [mm]	l <sub>s</sub> [mm]	t <sub>fix</sub> [mm]
8	32	8	M 4	30	8
8	38	8	M 4	39	12
8	46	8	M 4	52	22
8	59	8	M 4	65	36
10	37	10	M 5	45	8
10	52	10	M 5	58	10
10	65	10	M 5	71	22
12	37	12	M 6	45	8
12	52	12	M 6	58	9
12	65	12	M 6	71	22
12	80	12	M 6	88	38



Metal cavity anchor

	pgb code	EAN13		
Setting tool	0TANG,20 S	5902134702049	1	

### INSTALLATION SCHEME





Metal cavity anchor



Metal cavity anchor

**CARTON BOX PACKING**

size	pgb code	EAN13		
8x32	SMHWP304032 Z	5902134708362	100	
8x38	SMHWP304038 Z	5902134708379	100	
8x46	SMHWP304046 Z	5902134708386	100	
8x59	SMHWP304059 Z	5902134708393	100	
10x37	SMHWP305037 Z	5902134708409	100	
10x52	SMHWP305052 Z	5902134708416	100	
10x65	SMHWP305065 Z	5902134708423	100	
12x37	SMHWP306037 Z	5902134708430	100	
12x52	SMHWP306052 Z	5902134708447	100	
12x65	SMHWP306065 Z	5902134708454	100	
12x80	SMHWP306080 Z	5902134708461	100	

**WINDOW BOX PACKING**

size	pgb code	EAN13		
8x32	SMHWPE04032 Z	5902134705194	50	
8x38	SMHWPE04038 Z	5902134705200	50	
8x46	SMHWPE04046 Z	5902134705217	50	
8x59	SMHWPE04059 Z	5902134705224	50	
10x37	SMHWPE05037 Z	5902134705231	50	
10x52	SMHWPE05052 Z	5902134705248	25	
10x65	SMHWPE05065 Z	5902134705255	25	
12x37	SMHWPE06037 Z	5902134705262	25	
12x52	SMHWPE06052 Z	5902134705279	25	
12x65	SMHWPE06065 Z	5902134705286	25	
12x80	SMHWPE06080 Z	5902134705293	15	



Metal cavity anchor



Metal cavity anchor

**CARTON BOX PACKING**

size	pgb code	EAN13		
8x32	SMWPL304032 Z	5902134708478	100	
8x38	SMWPL304038 Z	5902134708485	100	

**WINDOW BOX PACKING**

size	pgb code	EAN13		
8x32	SMWPLE04032 Z	5902134705309	25	
8x38	SMWPLE04038 Z	5902134705316	25	



Metal cavity anchor



Metal cavity anchor

**CARTON BOX PACKING**

size	pgb code	EAN13		
8x32	SMWPC304032 Z	5902134708492	100	
8x38	SMWPC304038 Z	5902134708508	100	

**WINDOW BOX PACKING**

size	pgb code	EAN13		
8x32	SMWPCE04032 Z	5902134705323	25	
8x38	SMWPCE04038 Z	5902134705330	25	

Cavity fixings

# SMRSV

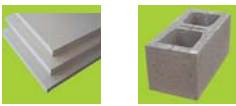
## SPRING TOGGLE WITH SCREW



Cavity fixings



### SUITABLE FOR



### DESCRIPTION

- The spring toggle is a cavity fixing for different board thicknesses and large usage lengths.

### ADVANTAGES

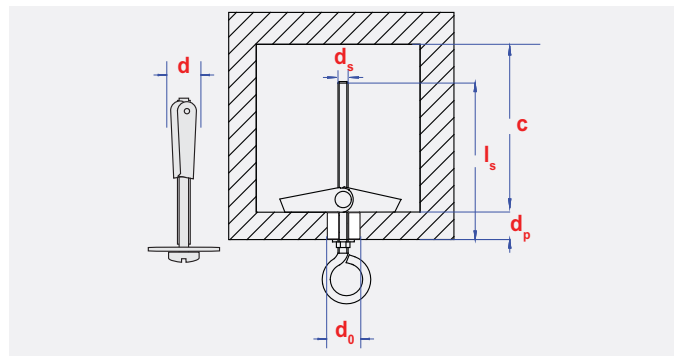
- The long shaft offers high flexibility in use.
- Simple and secure installation thanks to the integrated tension spring.
- Steel springs expand the two legs automatically inside the cavity.

### APPLICATIONS

- For the fixing of curtain rails, pipe and cable clamps, cable ducts, lighting, ...

### FUNCTIONING

- Pre-positioned installation.
- When placed in the drill hole, the spring toggle will swing open behind the board.
- The fixing is especially made for plasterboard, fibreboard, hard-boards and other board materials.



### TECHNICAL DATA

d	d <sub>0</sub>	d <sub>s</sub>	l <sub>s</sub>	c	d <sub>p</sub>
[mm]	[mm]	[mm]	[mm]	[mm]	[mm]
12	12	M 4	50		
12	12	M 4	75		
14	14	M 5	50		
14	14	M 5	80		

#### TYPE RSV



d	d <sub>0</sub>	d <sub>s</sub>	l <sub>s</sub>	c	d <sub>p</sub>
[mm]	[mm]	[mm]	[mm]	[mm]	[mm]
12	12	M 4	75		
14	14	M 5	70		

#### TYPE RSO



d	d <sub>0</sub>	d <sub>s</sub>	l <sub>s</sub>	c	d <sub>p</sub>
[mm]	[mm]	[mm]	[mm]	[mm]	[mm]
12	12	M 4	80		
14	14	M 5	50		
14	14	M 5	100		
16	16	M 6	100		

#### TYPE RST

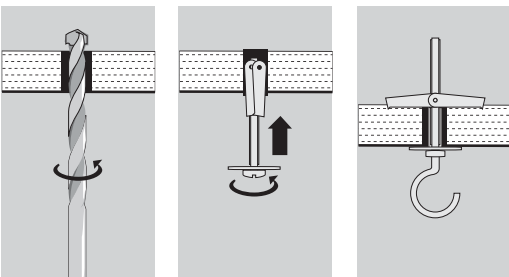


d	d <sub>0</sub>	d <sub>s</sub>	l <sub>s</sub>	c	d <sub>p</sub>
[mm]	[mm]	[mm]	[mm]	[mm]	[mm]
12	12	M 4	70		
14	14	M 5	70		

#### TYPE RHA



### INSTALLATION SCHEME





Spring toggle with screw



Spring toggle with threaded rod

WINDOW BOX PACKING

size	pgb code	EAN13		
M 4x50	SMRSVE04050 Z	5902134705439	25	
M 4x75	SMRSVE04075 Z	5902134712673	25	
M 5x50	SMRSVE05050 Z	5902134712680	25	
M 5x80	SMRSVE05080 Z	5902134712697	25	

WINDOW BOX PACKING

size	pgb code	EAN13		
M 4x80	SMRSTE04080 Z	5902134706573	25	
M 5x50	SMRSTE05050 Z	5902134710990	25	
M 5x100	SMRSTE05100 Z	5902134711003	25	
M 6x100	SMRSTE06100 Z	5902134711010	25	



Spring toggle with cup hook



Spring toggle with eye hook

WINDOW BOX PACKING

size	pgb code	EAN13		
M 4x75	SMRHAE04075 Z	5902134706580	25	
M 5x70	SMRHAE05070 Z	5902134712703	25	

WINDOW BOX PACKING

size	pgb code	EAN13		
M 4x70	SMRSOE04070 Z	5902134706597	25	
M 5x70	SMRSOE05070 Z	5902134713823	25	

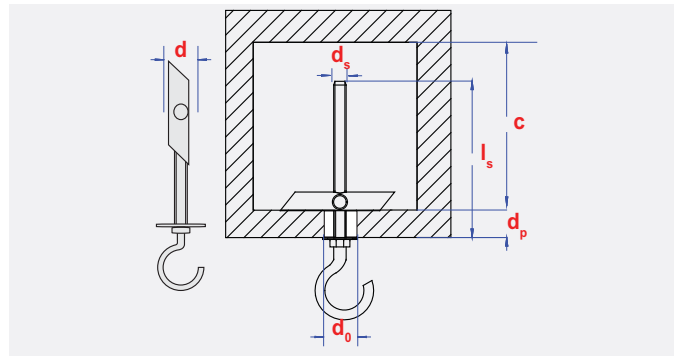
Cavity fixings

# SMPHA

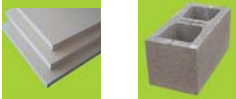
## GRAVITY ANCHOR



Cavity fixings



### BEST SUITABLE FOR



### DESCRIPTION

- The gravity is a cavity fixing for different board thicknesses and large usage lengths.

### ADVANTAGES

- The long shaft offers high flexibility in use.
- Simple and secure installation thanks to the gravity toggle.
- The bearing element will swing open inside the cavity.

### APPLICATIONS

- For the fixing of curtain rails, pipe and cable clamps, cable ducts, lighting, ...

### FUNCTIONING

- Pre-positioned installation.
- When placed in the drill hole, the gravity toggle will swing open behind the board.
- The fixing is especially made for plasterboard, fibreboard, hard-boards and other board materials.

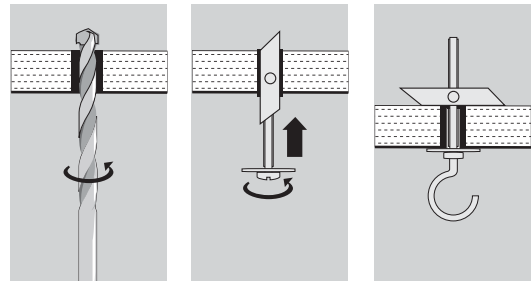
### TECHNICAL DATA

d	l	d <sub>0</sub>	d <sub>s</sub>	l <sub>s</sub>	c	d <sub>p</sub>
[mm]	[mm]	[mm]	[mm]	[mm]	[mm]	[mm]
M 6	75	18	M 6	75		

d	l	d <sub>0</sub>	d <sub>s</sub>	l <sub>s</sub>	c	d <sub>p</sub>
[mm]	[mm]	[mm]	[mm]	[mm]	[mm]	[mm]
M 6	95	18	M 6	95		
M 8	100	20	M 8	100		




### INSTALLATION SCHEME





Gravity anchor


**WINDOW BOX PACKING**

size	pgb code	EAN13		
M 6x75	SMPHAE06075 Z	5902134712901	25	



Gravity anchor

**WINDOW BOX PACKING**

size	pgb code	EAN13		
M 6x95	SMPSTE06095 Z	5902134712888	25	
M 8x100	SMPSTE08100 Z	5902134712895	25	

Cavity fixings



# MEET THE ALLROUNDER SMART FRAME PLUG



The multifunctional frame anchor will be approved for concrete, solid brick, perforated and Porotherm bricks. It can also be used in other substrates such as: natural stone with dense structure, thermal insulation blocks etc.

## Advantages at a glance

- ✓ Available with countersunk head TX 40 and with hex-head screw with pressed-on washer and TX 40 recess.
- ✓ Hardened screws for excellent strength.
- ✓ The SMART plug is made from halogen-free high-quality nylon PA6.
- ✓ Easy handling thanks to anchorage depth of 70 mm in all materials with all product lengths.
- ✓ The special design enables the SMART frame fixing to anchor in coarse and soft materials.
- ✓ S-shaped slots for solid expansion and a secure hold in all building materials with high pull-out values.
- ✓ Strong expansion for optimal anchoring results.

## For nearly all building materials...

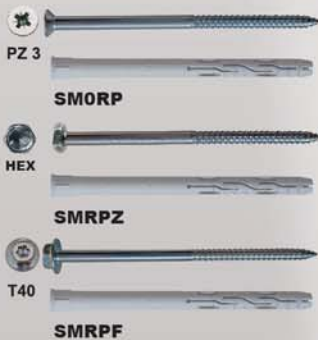


The multifunctional frame anchor expands in solid building materials (1) and forms a knot in hollow substrates (2).

## SMART frame plug with countersunk collar and screw



## SMART frame plug with cylindrical collar and screw



### Available dimensions

10 x 80	10 x 160
10 x 100	10 x 180
10 x 120	10 x 200
10 x 140	10 x 230

### Especially for metal profiles



















### Available dimensions

10 x 100	10 x 140
10 x 120	10 x 160







Hammer nail plug with countersunk collar	SMPKK		66
Hammer nail plug with mushroom-shaped collar	SM0SP		68
Hammer nail plug with metric thread	SMSPM		70
Hammer nail plug with cylindrical collar	SMPCK		72
Hammer drive anchor with nail	SM0HN		74
Frame plug with countersunk head and pozidriv screw	SM0RP		76
Frame plug with countersunk head and Torx screw	SMRPT		78
Frame plug with countersunk head and hex screw with pressed-on washer	SMRPF		80
Frame plug with cylinder head and hex screw with pressed-on washer	SMRPC		84
Frame plug with countersunk head and hex screw	SMRPZ		82
Metal frame anchor	SMMKP		86
Window frame screw with cylinder head, T25	SMC25		88
Window frame screw with cylinder head, T30	SMC30		90
Window frame screw with countersunk head, T30	SMP30		92
Universal spacer screw, with T25 recess	SMAFS		94
Selfdrilling adjustable screw, with T25 recess	SMVAS		96
Express nail	SMANH		98

Frame fixings



# SMPKK

## HAMMER NAIL PLUG WITH COUNTERSUNK COLLAR



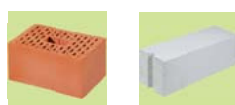
### TYPE PKK



### BEST SUITABLE FOR



### ALSO SUITABLE FOR



### DESCRIPTION

- Hammer nail plug with countersunk plug and zinc plated or stainless steel screw nail.

### ADVANTAGES

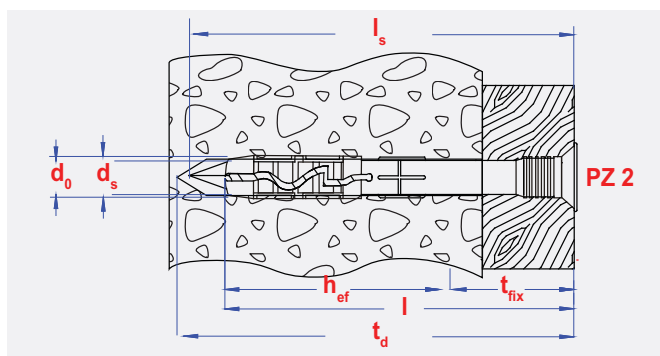
- Pre-assembled for quick and easy use.
- Hammer-in fixing, no setting tool needed.
- The screw nail can be removed for dismantling of the fixture.

### APPLICATIONS

- For the fixing of wooden and metal supporting constructions, cable and pipe clamps, skirting boards, ...

### FUNCTIONING

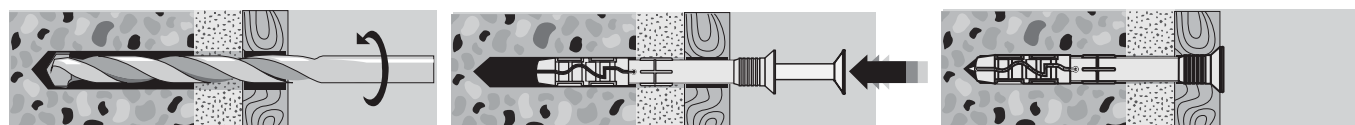
- Push-through installation.
- When hammered in, the plug will expand in 2 directions. If installed in hollow base material the plug should be long enough to at least allow for expansion in the second brick chamber.
- For timber constructions, countersunk plugs are recommended. In case of metal constructions, use plugs with cylindrical or mushroom collar.



### TECHNICAL DATA

d	l	d <sub>0</sub>	h <sub>1</sub>	d <sub>s</sub>	l <sub>s</sub>	h <sub>ef</sub>	t <sub>fix</sub>
[mm]	[mm]	[mm]	[mm]	[mm]	[mm]	[mm]	[mm]
5	30	5	45	3,5	35	25	5
5	40	5	55	3,5	45	25	15
5	50	5	65	3,5	55	25	25
6	40	6	55	4,0	45	30	10
6	50	6	65	4,0	55	30	20
6	60	6	75	4,0	65	30	30
6	80	6	95	4,0	85	30	50
8	45	8	60	5,0	48	40	5
8	60	8	75	5,0	65	40	20
8	80	8	95	5,0	85	40	40
8	100	8	115	5,0	105	40	60
8	120	8	135	5,0	125	40	80
8	140	8	155	5,0	145	40	100
10	80	10	95	7,0	85	50	30
10	100	10	115	7,0	105	50	50
10	120	10	135	7,0	125	50	70
10	140	10	155	7,0	145	50	90
10	160	10	175	7,0	165	50	110

### INSTALLATION SCHEME





Hammer nail plug with countersunk collar



Hammer nail plug with countersunk collar

**CARTON BOX PACKING**

size	pgb code	EAN13		
5x30	SMPKK305030 N	5902134709536	200	
5x40	SMPKK305040 N	5902134709543	200	
5x50	SMPKK305050 N	5902134709550	200	
6x40	SMPKK306040 N	5902134709567	200	
6x50	SMPKK306050 N	5902134709574	200	
6x60	SMPKK306060 N	5902134709581	200	
6x80	SMPKK306080 N	5902134709598	200	
8x60	SMPKK308060 N	5902134709611	100	
8x80	SMPKK308080 N	5902134709628	100	
8x100	SMPKK308100 N	5902134709635	100	
8x120	SMPKK308120 N	5902134709642	100	
8x140	SMPKK308140 N	5902134709697	100	
10x80	SMPKK310080 N	5902134709666	50	
10x100	SMPKK310100 N	5902134709673	50	
10x120	SMPKK310120 N	5902134709680	50	
10x140	SMPKK310140 N	5902134709697	50	
10x160	SMPKK310160 N	5902134709703	50	

**WINDOW BOX PACKING**

size	pgb code	EAN13		
5x30	SMPKKE05030 N	5902134704852	100	
5x40	SMPKKE05040 N	5902134704869	100	
5x50	SMPKKE05050 N	5902134704876	100	
6x40	SMPKKE06040 N	5902134704883	100	
6x60	SMPKKE06060 N	5902134704890	50	
6x80	SMPKKE06080 N	5902134704913	50	
8x45	SMPKKE08045 N	5902134704920	50	
8x60	SMPKKE08060 N	5902134704937	50	
8x80	SMPKKE08080 N	5902134704944	50	
8x100	SMPKKE08100 N	5902134704951	50	
8x120	SMPKKE08120 N	5902134704968	50	
8x140	SMPKKE08140 N	5902134704975	50	
10x80	SMPKKE10080 N	5902134704982	50	
10x100	SMPKKE10100 N	5902134704999	25	
10x120	SMPKKE10120 N	5902134705002	25	
10x140	SMPKKE10140 N	5902134705019	25	
10x160	SMPKKE10160 N	5902134705026	25	



Hammer nail plug with countersunk collar



Hammer nail plug with countersunk collar

**CARTON BOX PACKING**

size	pgb code	EAN13		
6x30	SMPKK306030 NA2	5902134711416	200	
6x40	SMPKK306040 NA2	5902134709710	200	
6x50	SMPKK306050 NA2	5902134709727	200	
6x60	SMPKK306060 NA2	5902134709734	100	
6x80	SMPKK306080 NA2	5902134709741	100	
8x60	SMPKK308060 NA2	5902134709758	100	
8x80	SMPKK308080 NA2	5902134709765	100	
8x100	SMPKK308100 NA2	5902134709772	100	

**PRO BOX PACKING**

size	pgb code	EAN13		
6x40	SMPKKD06040	5902134723525	850	
6x60	SMPKKD06060	5902134723532	650	
6x80	SMPKKD06080	5902134723549	500	
8x60	SMPKKD08060	5902134723556	370	
8x80	SMPKKD08080	5902134723563	300	
8x100	SMPKKD08100	5902134723570	250	
8x120	SMPKKD08120	5902134723587	250	

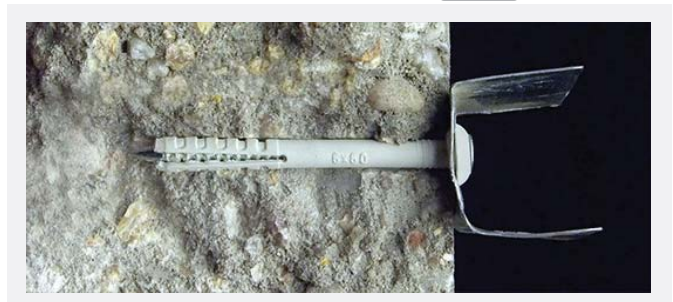
Frame fixings

# SMOSP

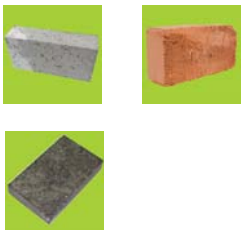
## HAMMER NAIL PLUG WITH MUSHROOM-SHAPED COLLAR



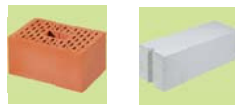
### TYPE SP



### BEST SUITABLE FOR



### ALSO SUITABLE FOR



### DESCRIPTION

- Hammer nail plug with mushroom-shaped collar and zinc plated screw nail.

### ADVANTAGES

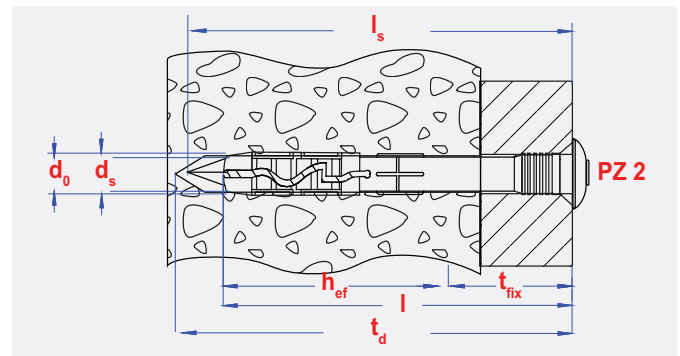
- Pre-assembled for quick and easy use.
- Hammer-in fixing, no setting tool needed.
- The screw nail can be removed for dismantling of the fixture.

### APPLICATIONS

- For the fixing of wooden and metal supporting constructions, cable and pipe clamps, skirting boards, ...

### FUNCTIONING

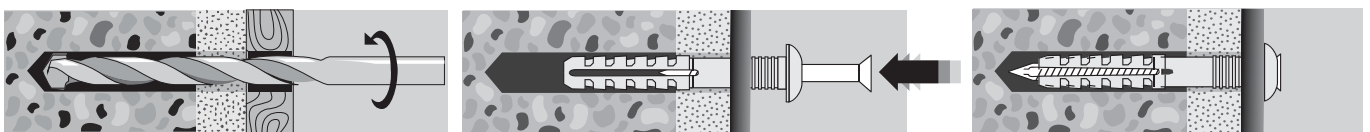
- Push-through installation.
- When hammered in, the plug will expand in 2 directions. If installed in hollow base material the plug should be long enough to at least allow for expansion in the second brick chamber.
- For timber constructions, countersunk plugs are recommended. In case of metal constructions, use plugs with cylindrical or mushroom collar.



### TECHNICAL DATA

d	l	d <sub>0</sub>	h <sub>1</sub>	d <sub>s</sub>	l <sub>s</sub>	h <sub>ef</sub>	t <sub>fix</sub>
[mm]	[mm]	[mm]	[mm]	[mm]	[mm]	[mm]	[mm]
6	40	6	55	4,0	50	30	10
6	60	6	75	4,0	70	30	30

### INSTALLATION SCHEME





Hammer nail plug with mushroom-shaped collar



Hammer nail plug with mushroom-shaped collar

**CARTON BOX PACKING**

size	pgb code	EAN13		
6x40	SM0SP306040 N	5902134710631	200	
6x60	SM0SP306060 N	5902134710648	200	

**WINDOW BOX PACKING**

size	pgb code	EAN13		
6x40	SM0SPE06040 N	5902134705033	100	
6x60	SM0SPE06060 N	5902134705040	50	

Frame fixings

# SMSPM

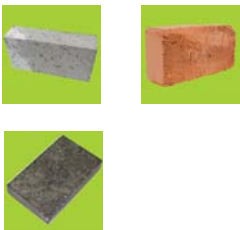
## HAMMER NAIL PLUG WITH METRIC THREAD



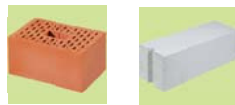
### TYPE SPM



### BEST SUITABLE FOR



### ALSO SUITABLE FOR



### DESCRIPTION

- Hammer nail plug with metric thread end.

### ADVANTAGES

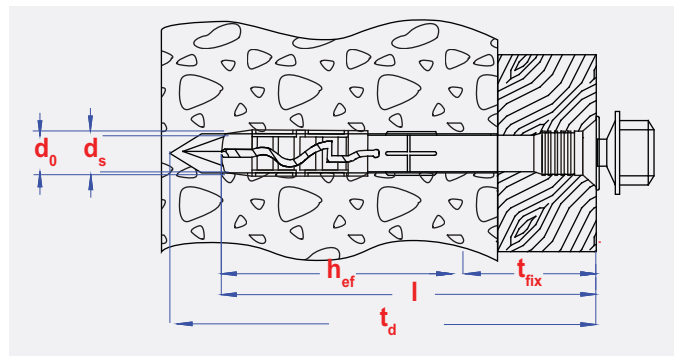
- Pre-assembled for quick and easy use.
- Hammer-in fixing, no setting tool needed.
- The screw nail can be removed for dismantling of the fixture.

### APPLICATIONS

- For the fixing of wooden and metal supporting constructions, cable and pipe clamps, skirting boards, ...

### FUNCTIONING

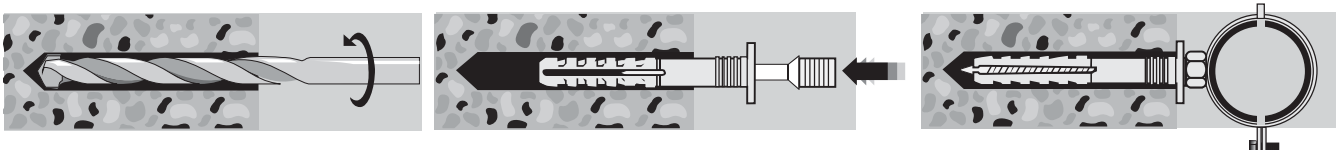
- Push-through installation.
- When hammered in, the plug will expand in 2 directions. If installed in hollow base material the plug should be long enough to at least allow for expansion in the second brick chamber.
- For timber constructions, countersunk plugs are recommended. In case of metal constructions, use plugs with cylindrical or mushroom collar.



### TECHNICAL DATA

d	l	d <sub>0</sub>	h <sub>1</sub>	d <sub>s</sub>	h <sub>ef</sub>	t <sub>fix</sub>
[mm]	[mm]	[mm]	[mm]	[mm]	[mm]	[mm]
6	40	6	55	M 6	30	10
6	40	6	55	M 7	30	10
8	50	8	65	M 8	40	10

### INSTALLATION SCHEME






Hammer nail plug with metric thread




Hammer nail plug with metric thread

**CARTON BOX PACKING**

size	pgb code	EAN13		
6x40	SMSPM306040 N	5902134710020	200	
6x40	SMSPM307040 N	5902134710037	200	
8x50	SMSPM308050 N	5902134710044	100	

**WINDOW BOX PACKING**

size	pgb code	EAN13		
6x40	SMSPME06040 N	5902134711119	100	
6x40	SMSPME07040 N	5902134711126	100	
8x50	SMSPME08050 N	5902134711133	50	

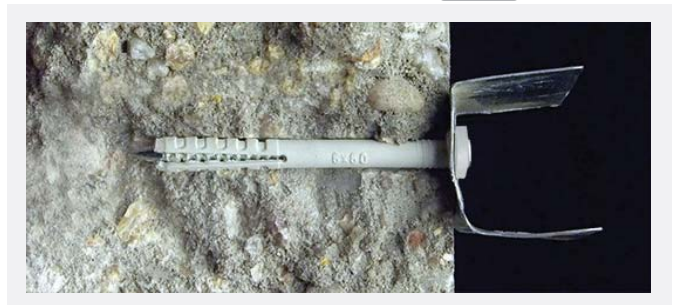
Frame fixings

# SMPCK

## HAMMER NAIL PLUG WITH CYLINDRICAL COLLAR



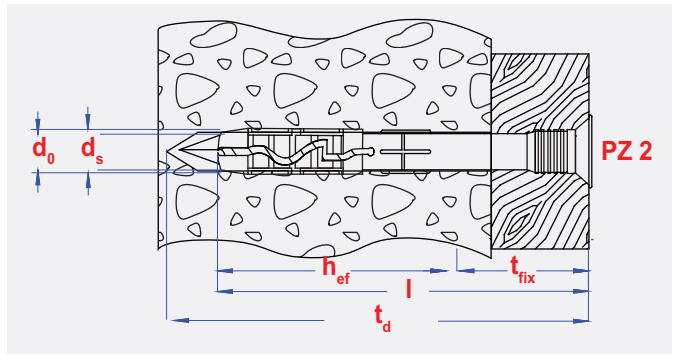
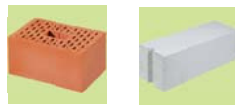
### TYPE PCK



### BEST SUITABLE FOR



### ALSO SUITABLE FOR



### DESCRIPTION

- Time saving fixing system consisting of a nylon plug and zinc plated screw nail.

### ADVANTAGES

- Pre-assembled for quick and easy use.
- Hammer-in fixing, no setting tool needed.
- The screw nail can be removed for dismantling of the fixture.

### APPLICATIONS

- For the fixing of wooden and metal supporting constructions, cable and pipe clamps, skirting boards, ...

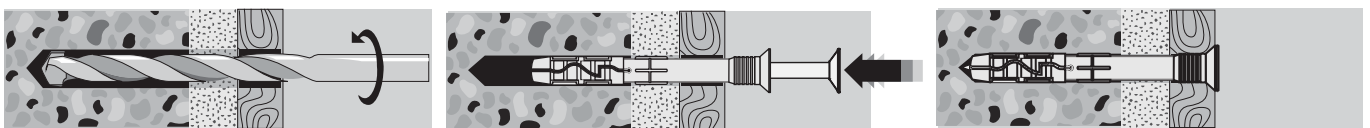
### FUNCTIONING

- Push-through installation.
- When hammered in, the plug will expand in 2 directions. If installed in hollow base material the plug should be long enough to at least allow for expansion in the second brick chamber.
- For timber constructions, countersunk plugs are recommended. In the case of metal constructions use plugs with cylindrical or mushroom collar.

### TECHNICAL DATA

d	l	d <sub>0</sub>	h <sub>1</sub>	h <sub>ef</sub>	t <sub>fix</sub>
[mm]	[mm]	[mm]	[mm]	[mm]	[mm]
5	30	5	45	25	5
5	35	5	50	25	10
5	40	5	55	25	15
5	50	5	65	25	25
6	40	6	55	30	10
6	50	6	65	30	20
6	60	6	75	30	30
6	80	6	95	30	50
8	50	8	65	40	10
8	60	8	75	40	20
8	80	8	95	40	40
8	100	8	115	40	60
8	120	8	135	40	80

### INSTALLATION SCHEME




Frame fixings





Hammer nail plug with cylindrical collar

**CARTON BOX PACKING**

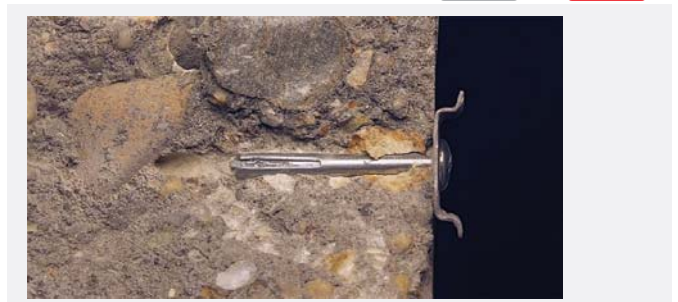
size	pgb code	EAN13		
5x30	SMPCK305030 N	5902134711867	200	
5x35	SMPCK305035 N	5902134711874	200	
5x40	SMPCK305040 N	5902134711881	200	
5x50	SMPCK305050 N	5902134711898	200	
6x40	SMPCK306040 N	5902134711386	200	
6x50	SMPCK306050 N	5902134711904	200	
6x60	SMPCK306060 N	5902134711911	200	
6x80	SMPCK306080 N	5902134711928	200	
8x50	SMPCK308050 N	5902134711935	100	
8x60	SMPCK308060 N	5902134711942	100	
8x80	SMPCK308080 N	5902134711393	100	
8x100	SMPCK308100 N	5902134711409	100	
8x120	SMPCK308120 N	5902134711959	100	

# SMOHN

## HAMMER DRIVE ANCHOR WITH NAIL



### TYPE HN



### BEST SUITABLE FOR



### ALSO SUITABLE FOR



### DESCRIPTION

- Hammer drive anchor, made from corrosion resistant zamak alloy.

### ADVANTAGES

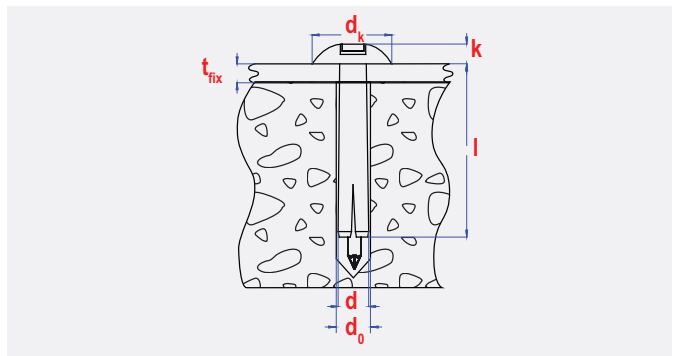
- Pre-assembled for quick and easy use.
- Hammer-in fixing, no setting tool needed.

### APPLICATIONS

- For the fixing of metal supporting constructions, cable and pipe clamps, ...

### FUNCTIONING

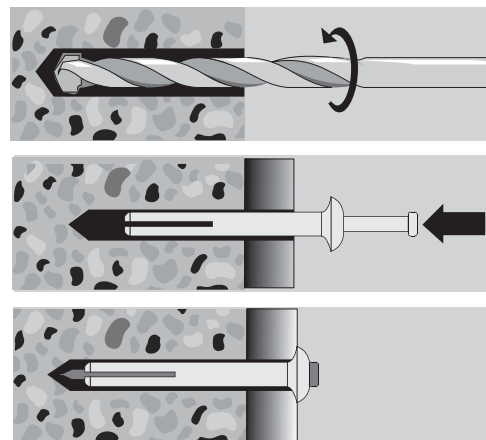
- Push-through installation.
- When hammered in, the plug will expand in 2 directions.
- For use in pre-drilled holes in solid materials.



### TECHNICAL DATA

d [mm]	l [mm]	d <sub>0</sub> [mm]	h <sub>1</sub> [mm]	d <sub>k</sub> [mm]	h <sub>ef</sub> [mm]	t <sub>fix</sub> [mm]	S [mm]
5	22	5	37	10	15	7	
6	30	6	45	13	20	10	
6	40	6	55	13	20	20	
6	50	6	65	13	20	30	
6	65	6	80	13	20	45	

### INSTALLATION SCHEME





Hammer drive anchor with nail



Hammer drive anchor with nail

**CARTON BOX PACKING**

size	pgb code	EAN13		
5x22	SM0HN305022 Z	5902134708553	200	
6x30	SM0HN306030 Z	5902134708560	200	
6x40	SM0HN306040 Z	5902134708577	200	
6x50	SM0HN306050 Z	5902134708584	200	
6x65	SM0HN306065 Z	5902134708591	200	

**WINDOW BOX PACKING**

size	pgb code	EAN13		
5x22	SM0HNE05022 Z	5902134705385	100	
6x30	SM0HNE06030 Z	5902134705392	50	
6x40	SM0HNE06040 Z	5902134705408	25	
6x50	SM0HNE06050 Z	5902134705415	25	
6x65	SM0HNE06065 Z	5902134705422	25	

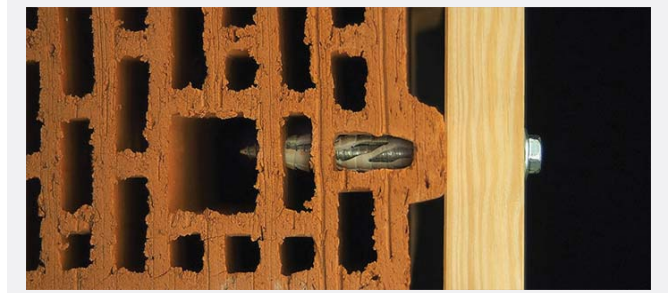
Frame fixings

# SMORP

## FRAME PLUG WITH COUNTERSUNK HEAD AND POZIDRIV SCREW



### TYPE RP



### BEST SUITABLE FOR



### ALSO SUITABLE FOR



### DESCRIPTION

- Universal frame anchor with ETA approval, suitable for nearly all building materials.

### ADVANTAGES

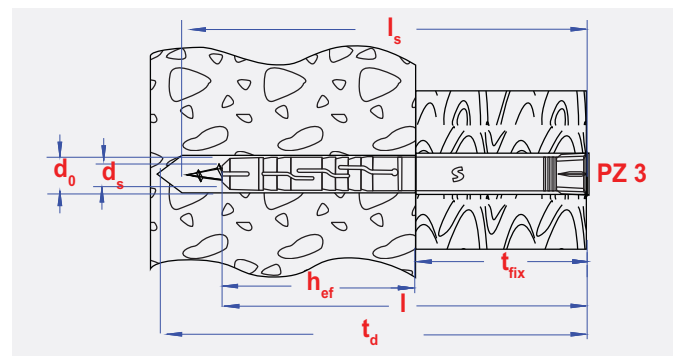
- The long expansion zone ensures a safe anchorage even in soft base material as well as in hollow blocks or bricks.
- The extensive range with diameters of 8 and 10 mm offers the right plug for every fixing.
- Easy handling thanks to the anchorage depth of 70mm in all materials with all product lengths.

### APPLICATIONS

- For the fixing of gates, doors, windows, wooden or metal supporting constructions, ...

### FUNCTIONING

- Push-through installation.
- The frame plug expands in solid building materials and forms a knot in hollow building materials.
- For timber constructions, countersunk plugs are recommended. In case of metal constructions, use plugs with cylindrical collar.



### TECHNICAL DATA

d	l	d <sub>0</sub>	t <sub>d</sub>	d <sub>s</sub>	l <sub>s</sub>	h <sub>ef</sub>	t <sub>fix</sub>
[mm]	[mm]	[mm]	[mm]	[mm]	[mm]	[mm]	[mm]
8	60	8	70	6	65		
8	80	8	90	6	85	70	10
8	100	8	110	6	105	70	30
8	120	8	130	6	125	70	50
8	140	8	150	6	145	70	70
10	80	10	90	7	87	70	10
10	100	10	110	7	107	70	30
10	120	10	130	7	127	70	50
10	140	10	150	7	147	70	70
10	160	10	170	7	167	70	90

### INSTALLATION SCHEME



CE 1488 / 11  
pgb-Polska sp. z o.o.

1488-CPD-0230/Z  
SMART frame anchors  
ETA-10/0392  
ETAG 020-1 / 10mm  
European Technical Approval  
For use in concrete and solid  
or perforated masonry for  
non-structural applications

Frame fixings



Frame plug with countersunk head and pozidriv screw

### CARTON BOX PACKING

size	pgb code	EAN13		
8x60	SM0RP308060 NZN	5902134709277	100	
8x80	SM0RP308080 NZN	5902134709284	100	
8x100	SM0RP308100 NZN	5902134709291	100	
8x120	SM0RP308120 NZN	5902134709307	100	
8x140	SM0RP308140 NZN	5902134709314	50	
10x80	SM0RP310080 NZN	5902134709321	50	
10x100	SM0RP310100 NZN	5902134709338	50	
10x120	SM0RP310120 NZN	5902134709345	50	
10x140	SM0RP310140 NZN	5902134709352	50	
10x160	SM0RP310160 NZN	5902134709369	50	



Frame plug with countersunk head and pozidriv screw

### WINDOW BOX PACKING

size	pgb code	EAN13		
10x100	SM0RPE10100 NZN	5902134705118	25	
10x120	SM0RPE10120 NZN	5902134705125	25	
10x140	SM0RPE10140 NZN	5902134705132	25	
10x160	SM0RPE10160 NZN	5902134705149	25	

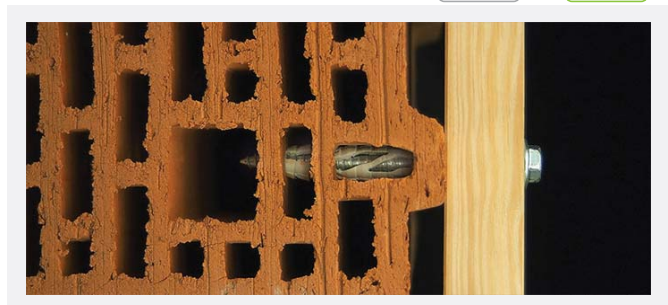
Frame fixings

# SMRPT

## FRAME PLUG WITH COUNTERSUNK HEAD AND TORX SCREW



### TYPE RPT



### BEST SUITABLE FOR



### ALSO SUITABLE FOR



### DESCRIPTION

- Universal frame anchor with ETA approval, suitable for nearly all building materials.

### ADVANTAGES

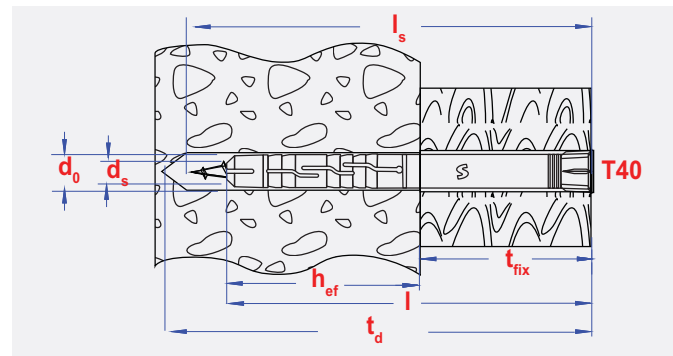
- The long expansion zone ensures a safe anchorage even in soft base material as well as in hollow blocks or bricks.
- The extensive range with diameters of 8 and 10 mm offers the right plug for every fixing.
- Easy handling thanks to the anchorage depth of 70mm in all materials with all product lengths.

### APPLICATIONS

- For the fixing of gates, doors, windows, wooden or metal supporting constructions, ...

### FUNCTIONING

- Push-through installation.
- The frame plug expands in solid building materials and forms a knot in hollow building materials.
- For timber constructions, countersunk plugs are recommended. In case of metal constructions, use plugs with cylindrical collar.



### TECHNICAL DATA

d	l	d <sub>0</sub>	h <sub>1</sub>	d <sub>s</sub>	l <sub>s</sub>	h <sub>ef</sub>	t <sub>fix</sub>
[mm]	[mm]	[mm]	[mm]	[mm]	[mm]	[mm]	[mm]
10	80	10	90	7	87	70	10
10	100	10	110	7	107	70	30
10	120	10	130	7	127	70	50
10	140	10	150	7	147	70	70
10	160	10	170	7	167	70	90
10	180	10	190	7	187	70	110
10	200	10	210	7	207	70	130
10	230	10	240	7	237	70	160

### INSTALLATION SCHEME



CE 1488 / 11  
pgb-Polska sp. z o.o.

1488-CPD-0230/Z  
SMART frame anchors  
ETA-10/0392  
ETAG 020-1 / 10mm  
European Technical Approval  
For use in concrete and solid  
or perforated masonry for  
non-structural applications

Frame fixings



Frame plug with countersunk head and Torx screw



Frame plug with countersunk head and Torx screw

### CARTON BOX PACKING

size	pgb code	EAN13		
10x80	SMRPT310080 NZN	5902134712796	50	
10x100	SMRPT310100 NZN	5902134712802	50	
10x120	SMRPT310120 NZN	5902134712819	50	
10x140	SMRPT310140 NZN	5902134712826	50	
10x160	SMRPT310160 NZN	5902134712833	50	
10x180	SMRPT310180 NZN	5902134712840	25	
10x200	SMRPT310200 NZN	5902134712857	25	
10x230	SMRPT310230 NZN	5902134712864	25	

### WINDOW BOX PACKING

size	pgb code	EAN13		
10x80	SMRPTE10080 NZN	5902134713021	25	
10x100	SMRPTE10100 NZN	5902134713038	25	
10x120	SMRPTE10120 NZN	5902134713045	25	
10x140	SMRPTE10140 NZN	5902134713052	25	
10x160	SMRPTE10160 NZN	5902134713069	25	
10x180	SMRPTE10180 NZN	5902134713076	25	
10x200	SMRPTE10200 NZN	5902134713083	25	

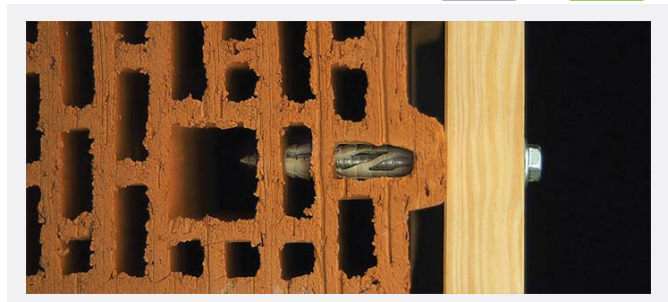
Frame fixings

# SMRPF

## FRAME PLUG WITH COUNTERSUNK HEAD AND HEX SCREW WITH PRESSED-ON WASHER



### TYPE RPF



### BEST SUITABLE FOR



### ALSO SUITABLE FOR



### DESCRIPTION

- Universal frame anchor with ETA approval, suitable for nearly all building materials.

### ADVANTAGES

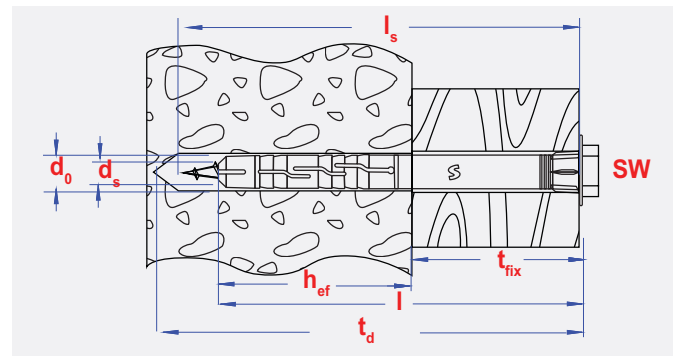
- The long expansion zone ensures a safe anchorage even in soft base material as well as in hollow blocks or bricks.
- The extensive range with diameters of 8 and 10 mm offers the right plug for every fixing.
- Easy handling thanks to the anchorage depth of 70mm in all materials with all product lengths.

### APPLICATIONS

- For the fixing of gates, doors, windows, wooden or metal supporting constructions, ...

### FUNCTIONING

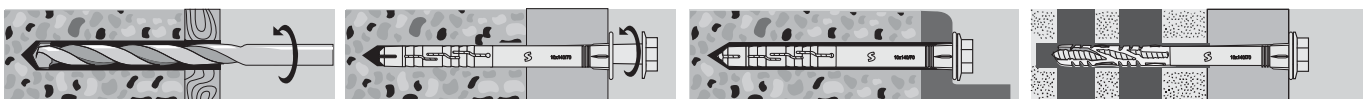
- Push-through installation.
- The frame plug expands in solid building materials and forms a knot in hollow building materials.
- For timber constructions, countersunk plugs are recommended. In case of metal constructions, use plugs with cylindrical collar.



### TECHNICAL DATA

d	l	d <sub>0</sub>	h <sub>1</sub>	d <sub>s</sub>	l <sub>s</sub>	h <sub>ef</sub>	t <sub>fix</sub>
[mm]	[mm]	[mm]	[mm]	[mm]	[mm]	[mm]	[mm]
10	80	10	90	7	87	70	10
10	100	10	110	7	107	70	30
10	120	10	130	7	127	70	50
10	140	10	150	7	147	70	70
10	160	10	170	7	167	70	90
10	180	10	190	7	187	70	110
10	200	10	210	7	207	70	130
10	230	10	240	7	237	70	160

### INSTALLATION SCHEME



CE 1488 / 11  
pgb-Polska sp. z o.o.

1488-CPD-0230/Z  
SMART frame anchors  
ETA-10/0392  
ETAG 020-1 / 10mm  
European Technical Approval  
For use in concrete and solid  
or perforated masonry for  
non-structural applications





Frame plug with countersunk head and hex screw with pressed-on washer

**CARTON BOX PACKING**

size	pgb code	EAN13		
10x80	SMRPF310080 NZN	5902134712710	50	
10x100	SMRPF310100 NZN	5902134712727	50	
10x120	SMRPF310120 NZN	5902134712734	50	
10x140	SMRPF310140 NZN	5902134712741	50	
10x160	SMRPF310160 NZN	5902134712758	50	
10x180	SMRPF310180 NZN	5902134712765	25	
10x200	SMRPF310200 NZN	5902134712772	25	
10x230	SMRPF310230 NZN	5902134712789	25	



Frame plug with countersunk head and hex screw with pressed-on washer

**WINDOW BOX PACKING**

size	pgb code	EAN13		
10x80	SMRPFE10080 NZN	5902134712949	25	
10x100	SMRPFE10100 NZN	5902134712956	25	
10x120	SMRPFE10120 NZN	5902134712963	25	
10x140	SMRPFE10140 NZN	5902134712970	25	
10x160	SMRPFE10160 NZN	5902134712987	25	
10x180	SMRPFE10180 NZN	5902134712994	25	
10x200	SMRPFE10200 NZN	5902134713007	25	

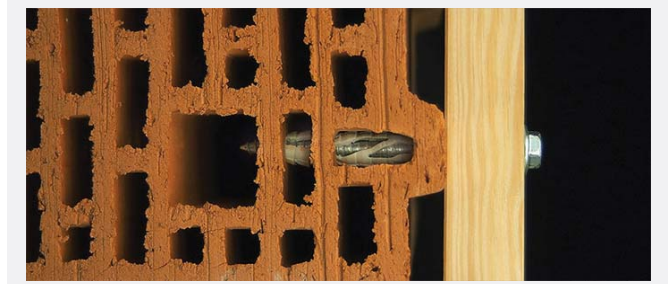
Frame fixings

# SMRPZ

## FRAME PLUG WITH COUNTERSUNK HEAD AND HEX SCREW



### TYPE RPZ



#### BEST SUITABLE FOR



#### ALSO SUITABLE FOR



#### DESCRIPTION

- Universal frame anchor with ETA approval, suitable for nearly all building materials.

#### ADVANTAGES

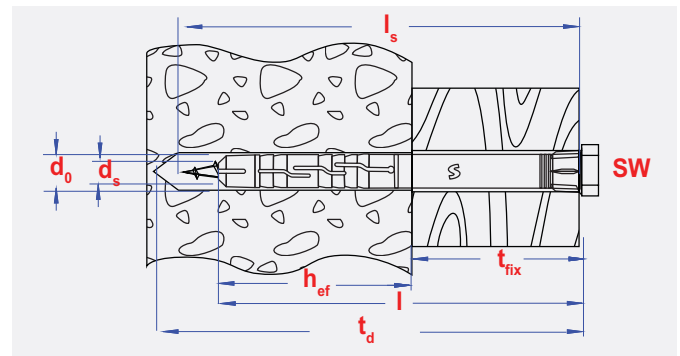
- The long expansion zone ensures a safe anchorage even in soft base material as well as in hollow blocks or bricks.
- The extensive range with diameters of 8 and 10 mm offers the right plug for every fixing.
- Easy handling thanks to the anchorage depth of 70mm in all materials with all product lengths.

#### APPLICATIONS

- For the fixing of gates, doors, windows, wooden or metal supporting constructions, ...

#### FUNCTIONING

- Push-through installation.
- The frame plug expands in solid building materials and forms a knot in hollow building materials.
- For timber constructions, countersunk plugs are recommended. In case of metal constructions, use plugs with cylindrical collar.



#### TECHNICAL DATA

d	l	d <sub>0</sub>	h <sub>1</sub>	d <sub>s</sub>	l <sub>s</sub>	h <sub>ef</sub>	t <sub>fix</sub>	S
[mm]	[mm]	[mm]	[mm]	[mm]	[mm]	[mm]	[mm]	[mm]
10	80	10	90	7	87	70	10	13
10	100	10	110	7	107	70	30	13
10	120	10	130	7	127	70	50	13
10	140	10	150	7	147	70	70	13
10	160	10	170	7	167	70	90	13
10	180	10	190	7	187	70	110	13
10	200	10	210	7	207	70	130	13
10	230	10	240	7	237	70	160	13

CE 1488 / 11  
pgb-Polska sp. z.o.o.

1488-CPD-0230/Z  
SMART frame anchors  
ETA-10/0392  
ETAG 020-1 / 10mm  
European Technical Approval  
For use in concrete and solid or perforated masonry for non-structural applications

#### INSTALLATION SCHEME



Frame fixings



Frame plug with countersunk head and hex screw

**CARTON BOX PACKING**

size	pgb code	EAN13		
10x80	SMRPZ310080 NZN	5902134709321	50	
10x100	SMRPZ310100 NZN	5902134709338	50	
10x120	SMRPZ310120 NZN	5902134709345	50	
10x140	SMRPZ310140 NZN	5902134709352	50	
10x160	SMRPZ310160 NZN	5902134709369	50	
10x180	SMRPZ310180 NZN	5902134709376	25	
10x200	SMRPZ310200 NZN	5902134709383	25	
10x230	SMRPZ310230 NZN	5902134709390	25	



Frame plug with countersunk head and hex screw

**WINDOW BOX PACKING**

size	pgb code	EAN13		
10x100	SMRPZE10100 NZN	5902134705156	25	
10x120	SMRPZE10120 NZN	5902134705163	25	
10x140	SMRPZE10140 NZN	5902134705170	25	
10x160	SMRPZE10160 NZN	5902134705187	25	

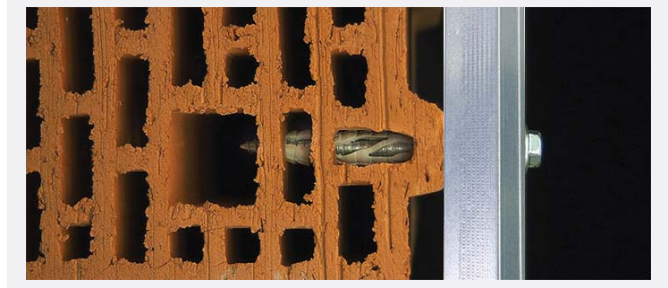
Frame fixings

# SMRPC

## FRAME PLUG WITH CYLINDER HEAD AND HEX SCREW WITH PRESSED-ON WASHER



### TYPE RPC



### BEST SUITABLE FOR



### ALSO SUITABLE FOR



### DESCRIPTION

- Universal frame anchor with ETA approval, suitable for nearly all building materials.

### ADVANTAGES

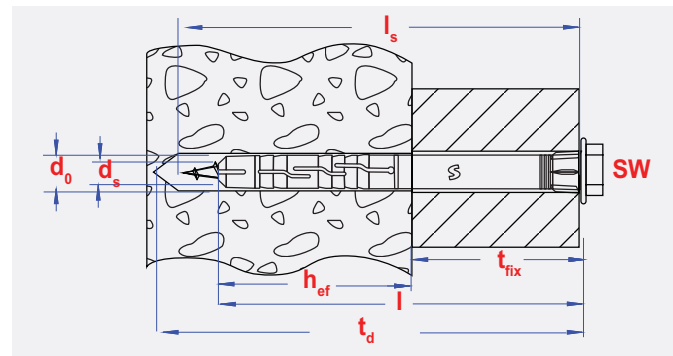
- The long expansion zone ensures a safe anchorage even in soft base material as well as in hollow blocks or bricks.
- The extensive range with diameters of 8 and 10 mm offers the right plug for every fixing.
- Easy handling thanks to the anchorage depth of 70mm in all materials with all product lengths.

### APPLICATIONS

- For the fixing of gates, doors, windows, wooden or metal supporting constructions, ...

### FUNCTIONING

- Push-through installation.
- The frame plug expands in solid building materials and forms a knot in hollow building materials.
- For timber constructions, countersunk plugs are recommended. In the case of metal constructions use plugs with cylindrical collar.



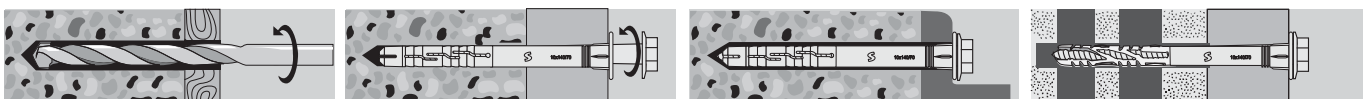
### TECHNICAL DATA

d	l	d <sub>0</sub>	h <sub>1</sub>	d <sub>s</sub>	l <sub>s</sub>	h <sub>ef</sub>	t <sub>fix</sub>	S
[mm]	[mm]	[mm]	[mm]	[mm]	[mm]	[mm]	[mm]	[mm]
10	100	10	110	7	107	70	30	T40
10	120	10	130	7	127	70	50	T40
10	140	10	150	7	147	70	70	T40
10	160	10	170	7	167	70	90	T40

CE 1488 / 11  
pgb-Polska sp. z.o.o.

1488-CPD-0230/Z  
SMART frame anchors  
ETA-10/0392  
ETAG 020-1 / 10mm  
European Technical Approval  
For use in concrete and solid or perforated masonry for non-structural applications

### INSTALLATION SCHEME





Frame plug with cylinder head and hex screw with pressed-on washer

**CARTON BOX PACKING**

size	pgb code	EAN13		
10x100	SMRPC310100 NZN	5902134719702	50	
10x120	SMRPC310120 NZN	5902134719719	50	
10x140	SMRPC310140 NZN	5902134719726	25	
10x160	SMRPC310160 NZN	5902134719733	25	



Frame plug with cylinder head and hex screw with pressed-on washer

**WINDOW BOX PACKING**

size	pgb code	EAN13		
10x100	SMRPCE10100 NZN	5902134720753	25	
10x120	SMRPCE10120 NZN	5902134720760	25	
10x140	SMRPCE10140 NZN	5902134720777	25	
10x160	SMRPCE10160 NZN	5902134720784	25	

Frame fixings

# SMMKP

## METAL FRAME ANCHOR



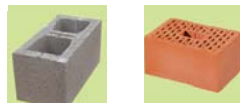
### TYPE MKP



### BEST SUITABLE FOR



### ALSO SUITABLE FOR



### DESCRIPTION

- Metal frame anchor with cylindrical head (diam 8) or countersunk head (diam 10) for installation of window and door frames.

### ADVANTAGES

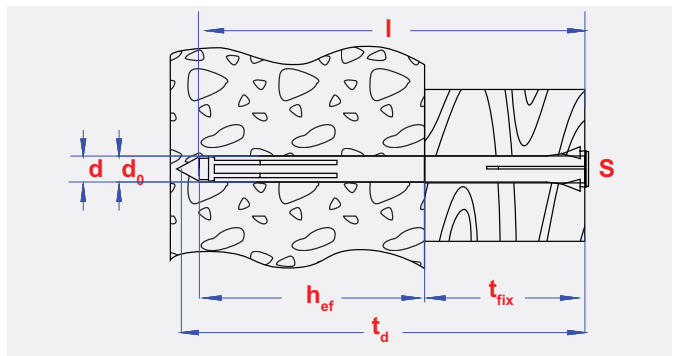
- All-metal plug with high shear load bearing capacities, ideal for spaced fixings.
- With locking wings to firmly hold hollow profiles.
- Stress-free installation and fixing of the profile.

### APPLICATIONS

- For the fixing of window and door frames made of wood, plastic or metal, fireproof doors.

### FUNCTIONING

- Push-through installation.
- When turning the screw, the cone is drawn into the sleeve to expand the fixing and wedge itself into the drill hole.
- Maximum torque 5 Nm.



### TECHNICAL DATA

d	l	d <sub>0</sub>	h <sub>1</sub>	h <sub>ef</sub>	t <sub>fix</sub>	S
[mm]	[mm]	[mm]	[mm]	[mm]	[mm]	[mm]
8	72	8	90	30	42	PZ 2
8	92	8	110	30	62	PZ 2
8	112	8	130	30	82	PZ 2
8	132	8	150	30	102	PZ 2
8	172	8	190	30	142	PZ 2
10	72	10	90	30	42	PZ 3
10	92	10	110	30	62	PZ 3
10	112	10	130	30	82	PZ 3
10	132	10	150	30	102	PZ 3
10	152	10	170	30	122	PZ 3
10	182	10	200	30	152	PZ 3
10	202	10	220	30	172	PZ 3

### INSTALLATION SCHEME





Metal frame anchor



Metal frame anchor

**CARTON BOX PACKING**

size	pgb code	EAN13		
8x72	SMMKP308075 Z	5902134708805	50	
8x92	SMMKP308090 Z	5902134708812	50	
8x112	SMMKP308110 Z	5902134708829	50	
8x132	SMMKP308130 Z	5902134708836	50	
8x172	SMMKP308170 Z	5902134708850	50	

**WINDOW BOX PACKING**

size	pgb code	EAN13		
10x72	SMMKPE10075 Z	5902134706702	50	
10x92	SMMKPE10090 Z	5902134706719	50	
10x112	SMMKPE10110 Z	5902134706726	50	
10x132	SMMKPE10130 Z	5902134706733	50	
10x152	SMMKPE10150 Z	5902134706740	50	
10x182	SMMKPE10180 Z	5902134706757	50	
10x202	SMMKPE10200 Z	5902134706764	50	



Metal frame anchor



Cover cap for metal frame anchor

**CARTON BOX PACKING**

size	pgb code	EAN13		
10x72	SMMKP310075 Z	5902134708867	50	
10x92	SMMKP310090 Z	5902134708874	50	
10x112	SMMKP310110 Z	5902134708881	50	
10x132	SMMKP310130 Z	5902134708898	50	
10x152	SMMKP310150 Z	5902134708904	50	
10x182	SMMKP310180 Z	5902134708911	50	
10x202	SMMKP310200 Z	5902134708928	50	

**WINDOW BOX PACKING**

colour	pgb code	EAN13		
RAL 8011	SMDEKE038011N	5902134712437	100	
RAL 9005	SMDEKE039005N	5902134712444	100	
RAL 9010	SMDEKE039010N	5902134712451	100	

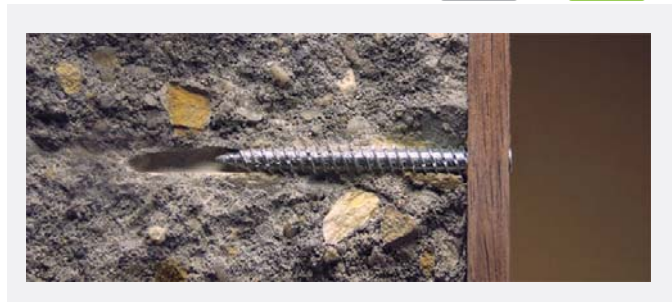
Frame fixings

# SMC25

## WINDOW FRAME SCREW WITH CYLINDER HEAD, T25



### TYPE KSC



### BEST SUITABLE FOR



### ALSO SUITABLE FOR



### DESCRIPTION

- Window frame screw for recessed installation in wooden window frames. With HiLo threading to optimize the insertion into the hole.

### ADVANTAGES

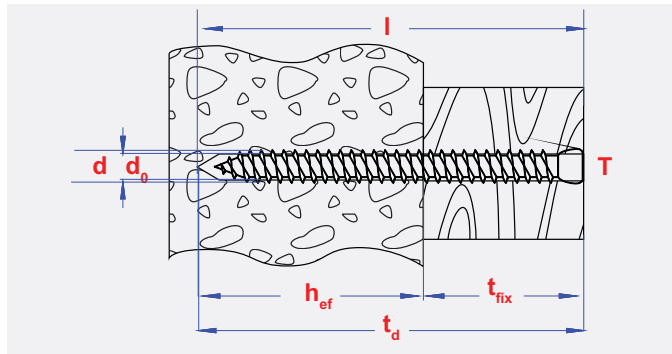
- No additional plugs are required thanks to the self-tapping thread.
- Small drill bit diameter allows fast working.
- Stress-free installation and fixing of the profile.

### APPLICATIONS

- For the fixing of window and door frames.

### FUNCTIONING

- Push-through installation.
- The full thread prevents the frame from being pulled against the substrate.
- Cover caps are available for a nice finish.



### TECHNICAL DATA

d	l	d <sub>0</sub>	h <sub>1</sub>	*h <sub>ef</sub>	t <sub>fix</sub>	T
[mm]	[mm]	[mm]	[mm]	[mm]	[mm]	[mm]
7,5	42	6	57	40	2	T 25
7,5	62	6	77	40	22	T 25
7,5	72	6	87	40	32	T 25
7,5	82	6	97	40	42	T 25
7,5	92	6	107	40	52	T 25
7,5	102	6	117	40	62	T 25
7,5	112	6	127	40	72	T 25
7,5	122	6	137	40	82	T 25
7,5	132	6	147	40	92	T 25
7,5	142	6	157	40	102	T 25
7,5	152	6	167	40	112	T 25
7,5	162	6	177	40	122	T 25
7,5	182	6	197	40	142	T 25
7,5	202	6	217	40	162	T 25
7,5	212	6	227	40	172	T 25

#### \*Minimum setting depth

concrete            h<sub>ef</sub> > 30mm  
 solid brick        h<sub>ef</sub> > 40mm  
 hollow brick      h<sub>ef</sub> > 60mm

### INSTALLATION SCHEME







Window frame screw with cylinder head, T25

### CARTON BOX PACKING

size	pgb code	EAN13		
7,5x42	SMC25375042 Z	5902134710457	100	
7,5x62	SMC25375062 Z	5902134710464	100	
7,5x72	SMC25375072 Z	5902134710471	100	
7,5x82	SMC25375082 Z	5902134710488	100	
7,5x92	SMC25375092 Z	5902134710495	100	
7,5x102	SMC25375102 Z	5902134710501	100	
7,5x112	SMC25375112 Z	5902134710518	100	
7,5x122	SMC25375122 Z	5902134710525	100	
7,5x132	SMC25375132 Z	5902134710532	100	
7,5x142	SMC25375142 Z	5902134711027	100	
7,5x152	SMC25375152 Z	5902134710549	100	
7,5x162	SMC25375162 Z	5902134710556	100	
7,5x182	SMC25375182 Z	5902134710563	100	
7,5x202	SMC25375202 Z	5902134710570	100	
7,5x212	SMC25375212 Z	5902134710587	100	

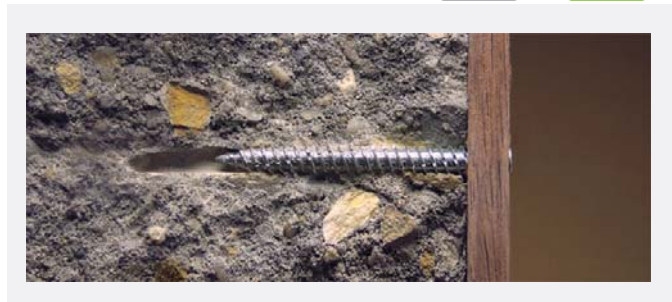
Frame fixings

# SMC30

## WINDOW FRAME SCREW WITH CYLINDER HEAD, T30



### TYPE KSC



### BEST SUITABLE FOR



### ALSO SUITABLE FOR



### DESCRIPTION

- Window frame screw for recessed installation in wooden window frames. With HiLo threading to optimize the insertion into the hole.

### ADVANTAGES

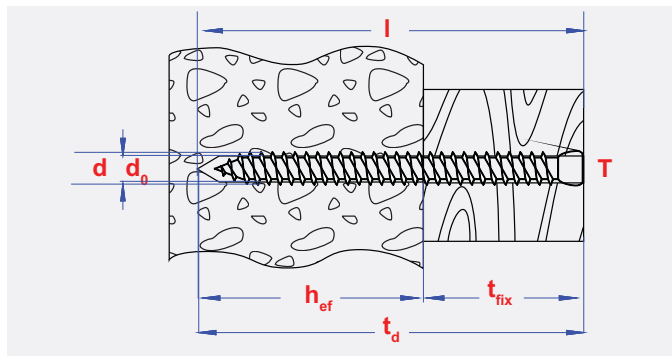
- No additional plugs are required thanks to the self-tapping thread.
- Small drill bit diameter allows fast working.
- Stress-free installation and fixing of the profile.

### APPLICATIONS

- For the fixing of window and door frames.

### FUNCTIONING

- Push-through installation.
- The full thread prevents the frame from being pulled against the substrate.
- Cover caps are available for a nice finish.



### TECHNICAL DATA

d	l	d <sub>0</sub>	h <sub>1</sub>	*h <sub>ef</sub>	t <sub>fix</sub>	T
[mm]	[mm]	[mm]	[mm]	[mm]	[mm]	[mm]
7,5	42	6	57	40	2	T30
7,5	62	6	77	40	22	T30
7,5	72	6	87	40	32	T30
7,5	82	6	97	40	42	T30
7,5	92	6	107	40	52	T30
7,5	102	6	117	40	62	T30
7,5	112	6	127	40	72	T30
7,5	122	6	137	40	82	T30
7,5	132	6	147	40	92	T30
7,5	142	6	157	40	102	T30
7,5	152	6	167	40	112	T30
7,5	162	6	177	40	122	T30
7,5	182	6	197	40	142	T30
7,5	202	6	217	40	162	T30
7,5	212	6	227	40	172	T30

### \*Minimum setting depth

- concrete h<sub>ef</sub> > 30mm
- solid brick h<sub>ef</sub> > 40mm
- hollow brick h<sub>ef</sub> > 60mm

### INSTALLATION SCHEME





Window frame screw with cylinder head, T30



Window frame screw with cylinder head, T30

### CARTON BOX PACKING

size	pgb code	EAN13		
7,5x42	SMC30375042 Z	5902134709123	100	
7,5x62	SMC30375062 Z	5902134709130	100	
7,5x72	SMC30375072 Z	5902134709147	100	
7,5x82	SMC30375082 Z	5902134709154	100	
7,5x92	SMC30375092 Z	5902134709161	100	
7,5x102	SMC30375102 Z	5902134709178	100	
7,5x112	SMC30375112 Z	5902134709185	100	
7,5x122	SMC30375122 Z	5902134709192	100	
7,5x132	SMC30375132 Z	5902134709208	100	
7,5x142	SMC30375142 Z	5902134709215	100	
7,5x152	SMC30375152 Z	5902134709222	100	
7,5x162	SMC30375162 Z	5902134709239	100	
7,5x182	SMC30375182 Z	5902134709246	100	
7,5x202	SMC30375202 Z	5902134709253	100	
7,5x212	SMC30375212 Z	5902134709260	100	

### WINDOW BOX PACKING

size	pgb code	EAN13		
7,5x62	SMC30E75062 Z	5902134706771	100	
7,5x72	SMC30E75072 Z	5902134706788	100	
7,5x82	SMC30E75082 Z	5902134706795	100	
7,5x92	SMC30E75092 Z	5902134706801	100	
7,5x102	SMC30E75102 Z	5902134706818	100	
7,5x112	SMC30E75112 Z	5902134706825	100	
7,5x122	SMC30E75122 Z	5902134706832	100	
7,5x132	SMC30E75132 Z	5902134706849	100	
7,5x142	SMC30E75152 Z	5902134707655	100	
7,5x152	SMC30E75182 Z	5902134707662	100	

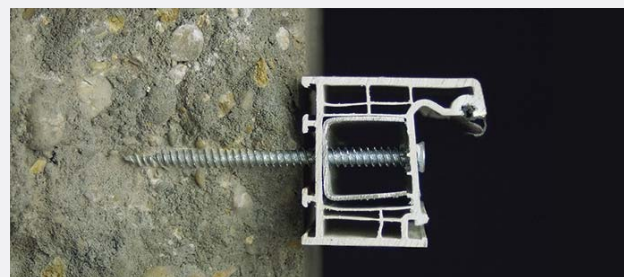
Frame fixings

# SMP30

## WINDOW FRAME SCREW WITH COUNTERSUNK HEAD, T30



### TYPE KSP



### BEST SUITABLE FOR



### ALSO SUITABLE FOR



### DESCRIPTION

- Window frame screw for installation in plastic and aluminium window profiles. With HiLo threading to optimize the insertion into the hole.

### ADVANTAGES

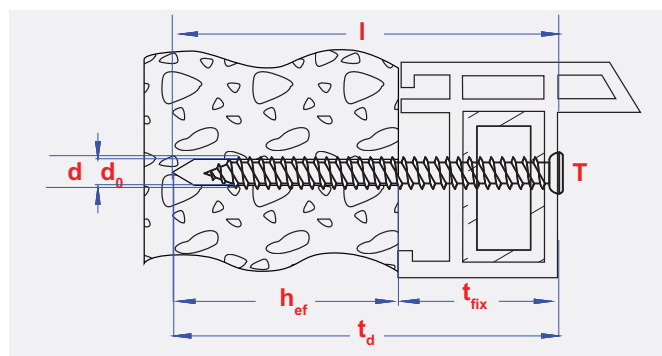
- No additional plugs are required thanks to the self-tapping thread.
- Small drill bit diameter allows fast working.
- Stress-free installation and fixing of the profile.

### APPLICATIONS

- For the fixing of window and door frames.

### FUNCTIONING

- Push-through installation.
- The full thread prevents the frame from being pulled against the substrate.
- Cover caps are available for a nice finish.



### TECHNICAL DATA

d	l	d <sub>0</sub>	h <sub>1</sub>	*h <sub>ef</sub>	t <sub>fix</sub>	T
[mm]	[mm]	[mm]	[mm]	[mm]	[mm]	[mm]
7,5	42	6	57	40	2	T30
7,5	62	6	77	40	22	T30
7,5	72	6	87	40	32	T30
7,5	82	6	97	40	42	T30
7,5	92	6	107	40	52	T30
7,5	102	6	117	40	62	T30
7,5	112	6	127	40	72	T30
7,5	122	6	137	40	82	T30
7,5	132	6	147	40	92	T30
7,5	142	6	157	40	102	T30
7,5	152	6	167	40	112	T30
7,5	162	6	177	40	122	T30
7,5	182	6	197	40	142	T30
7,5	202	6	217	40	162	T30
7,5	212	6	227	40	172	T30

### \*Minimum setting depth

- concrete h<sub>ef</sub> > 30mm
- solid brick h<sub>ef</sub> > 40mm
- hollow brick h<sub>ef</sub> > 60mm

### INSTALLATION SCHEME





Window frame screw with countersunk head,  
T30

**CARTON BOX PACKING**

size	pgb code	EAN13		
7,5x42	SMP30375042 Z	5902134708973	100	
7,5x62	SMP30375062 Z	5902134708980	100	
7,5x72	SMP30375072 Z	5902134708997	100	
7,5x82	SMP30375082 Z	5902134709000	100	
7,5x92	SMP30375092 Z	5902134709017	100	
7,5x102	SMP30375102 Z	5902134709024	100	
7,5x112	SMP30375112 Z	5902134709031	100	
7,5x122	SMP30375122 Z	5902134709048	100	
7,5x132	SMP30375132 Z	5902134709055	100	
7,5x142	SMP30375142 Z	5902134709062	100	
7,5x152	SMP30375152 Z	5902134709079	100	
7,5x162	SMP30375162 Z	5902134709086	100	
7,5x182	SMP30375182 Z	5902134709093	100	
7,5x202	SMP30375202 Z	5902134709109	100	
7,5x212	SMP30375212 Z	5902134709116	100	



Window frame screw with countersunk head,  
T30

**WINDOW BOX PACKING**

size	pgb code	EAN13		
7,5x62	SMP30E75062 Z	5902134706856	100	
7,5x72	SMP30E75072 Z	5902134706863	100	
7,5x82	SMP30E75082 Z	5902134706870	100	
7,5x92	SMP30E75092 Z	5902134706887	100	
7,5x102	SMP30E75102 Z	5902134706894	100	
7,5x112	SMP30E75112 Z	5902134706917	100	
7,5x122	SMP30E75122 Z	5902134706924	100	
7,5x132	SMP30E75132 Z	5902134706900	100	
7,5x152	SMP30E75152 Z	5902134707679	100	
7,5x182	SMP30E75182 Z	5902134707686	100	

Frame fixings



Cover cap for window frame screws

**WINDOW BOX PACKING**

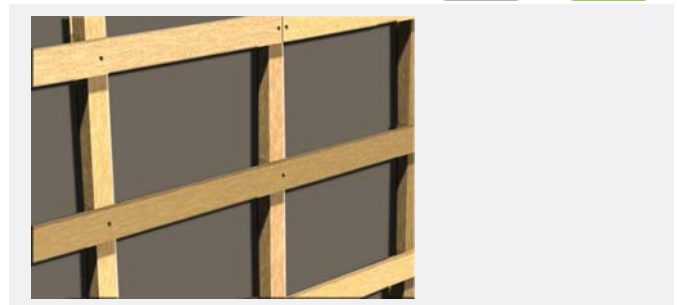
RAL	pgb code	EAN13		
9005	SMDEKE308011N	5902134712468	100	
8011	SMDEKE309005N	5902134712475	100	
9010	SMDEKE309010N	5902134712482	100	

# SMAFS

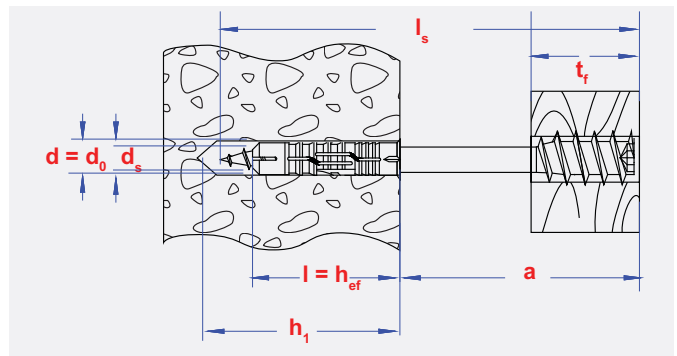
## UNIVERSAL SPACER SCREW, WITH T25 RECESS



### TYPE AFS



### TYPE LAF



Frame fixings

### DESCRIPTION

- Special screw for adjustable alignment of wooden profiles.

### ADVANTAGES

- Without plug suitable in wooden materials.
- With a multifunctional plug type SMART usable in all concrete and masonry materials.
- The special thread allows exact alignment of the fixture.

### APPLICATIONS

- For the fixing of wooden supporting constructions, wooden frames, claddings, ...

### FUNCTIONING

- Push-through installation.
- Pre-drill the fixture at the desired angle. When mounting the screw, the external thread cuts into the pre-drilled fixture, and fixes it into the desired position.
- An angled position of 15°-30° allows higher shear loads to be supported.

### TECHNICAL DATA



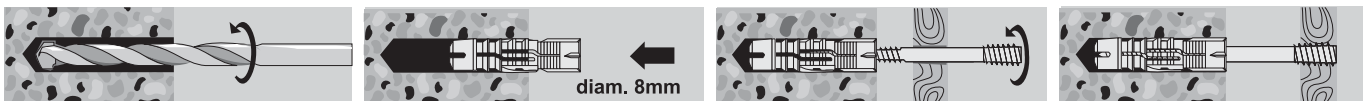
d	l	d <sub>0</sub>	h <sub>1</sub>	d <sub>s</sub>	l <sub>s</sub>	h <sub>ef</sub>	a	t <sub>f</sub>	T
[mm]	[mm]	[mm]	[mm]	[mm]	[mm]	[mm]	[mm]	[mm]	[mm]
8	60	8	75	6	60	60	15	20	T 25
8	60	8	75	6	80	60	35	20	T 25
8	60	8	75	6	100	60	55	20	T 25
8	60	8	75	6	120	60	75	20	T 25
8	60	8	75	6	150	60	105	20	T 25
8	60	8	75	6	180	60	135	20	T 25
8	60	8	75	6	200	60	155	20	T 25
8	60	8	75	6	250	60	205	20	T 25
8	60	8	75	6	300	60	255	20	T 25

### TECHNICAL DATA



d	l	d <sub>0</sub>	h <sub>1</sub>	d <sub>s</sub>	l <sub>s</sub>	h <sub>ef</sub>	a	t <sub>f</sub>	T
[mm]	[mm]	[mm]	[mm]	[mm]	[mm]	[mm]	[mm]	[mm]	[mm]
8	60	8	75	6	100	60	55	45	T 25
8	60	8	75	6	120	60	75	45	T 25
8	60	8	75	6	150	60	105	45	T 25
8	60	8	75	6	180	60	135	45	T 25

### INSTALLATION SCHEME





Universal spacer screw, with T25 recess



Spacer screw with long thread, with T25 recess

**CARTON BOX PACKING**

size	pgb code	EAN13		
6x60	SMAFS360060 Z	5902134709925	50	
6x80	SMAFS360080 Z	5902134709932	50	
6x100	SMAFS360100 Z	5902134709949	50	
6x120	SMAFS360120 Z	5902134709956	50	
6x150	SMAFS360150 Z	5902134709963	50	
6x180	SMAFS360180 Z	5902134709970	50	
6x200	SMAFS360200 Z	5902134709987	50	
6x250	SMAFS360250 Z	5902134709994	25	
6x300	SMAFS360300 Z	5902134710013	25	

**CARTON BOX PACKING**

size	pgb code	EAN13		
6x100	SMLAF360100 Z	5410439341608	50	
6x120	SMLAF360120 Z	5410439433884	50	
6x150	SMLAF360150 Z	5410439219013	50	
6x180	SMLAF360180 Z	5410439340489	50	

Frame fixings

# SMVAS

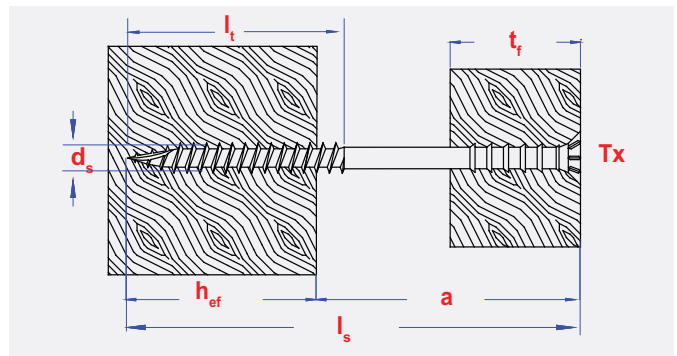
## SELFDRILLING ADJUSTABLE SCREW, WITH T25 RECESS



### TYPE VAS



### SUITABLE FOR



### DESCRIPTION

- Spacer screw with countersunk head for adjustable installation of wooden profiles.

### ADVANTAGES

- Usable in wooden materials.
- The selfdrilling point cuts directly into the wood, no predrilling required.
- The special thread allows infinite adjustment of the fixture.

### APPLICATIONS

- For substructures made of wooden battens of 20-25mm thickness.

### FUNCTIONING

- Push-through installation.
- Once the screw has been mounted, the fixture distance can be infinitely adjusted by modifying the rotation direction.

### TECHNICAL DATA

$d_s$ [mm]	$l_s$ [mm]	$t_f$ [mm]	$l_t$ [mm]	$h_{ef}$ [mm]	$a$ [mm]	T
6	60	20	25	30	30	T 25
6	70	25	30	30	40	T 25
6	80	25	40	30	50	T 25
6	90	25	40	30	60	T 25
6	100	25	60	30	70	T 25
6	110	25	60	30	80	T 25
6	120	25	60	30	90	T 25
6	130	25	60	30	100	T 25
6	145	25	60	30	115	T 25
6	160	25	60	30	130	T 25

### INSTALLATION SCHEME








Selfdrilling adjustable screw, with T25 recess

**CARTON BOX PACKING**

size	pgb code	EAN13		
6x60	SMVAS360060 Z	5902134710068	100	
6x70	SMVAS360070 Z	5902134710075	100	
6x80	SMVAS360080 Z	5902134710082	100	
6x90	SMVAS360090 Z	5902134710099	100	
6x100	SMVAS360100 Z	5902134710105	100	
6x110	SMVAS360110 Z	5902134710112	50	
6x120	SMVAS360120 Z	5902134710129	50	
6x130	SMVAS360130 Z	5902134710136	50	
6x145	SMVAS360145 Z	5902134710143	50	
6x160	SMVAS360160 Z	5902134710150	50	

Frame fixings

# SMANH

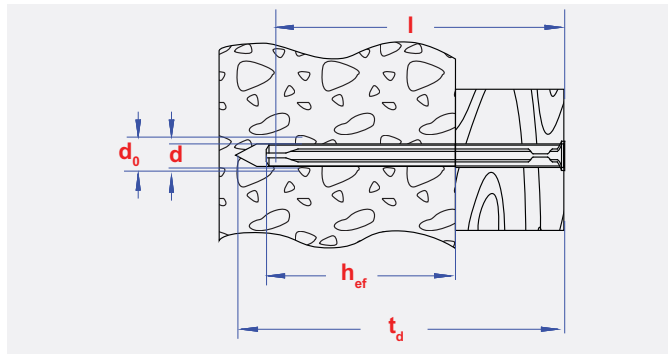
## EXPRESS NAIL



### TYPE ANH



### SUITABLE FOR



### DESCRIPTION

- Spring steel sleeve anchor for light fixings in solid materials.

### ADVANTAGES

- No plugs or screws are required.
- The conical shape of the makes it easy to push it into the drill hole, and thus allowing a quick installation.
- Suited for interior applications.

### APPLICATIONS

- For the fixing of wooden and metal substructures or profiles.

### FUNCTIONING

- Push-through installation.
- Drill a hole as in the table and hammer in the express nail.

### TECHNICAL DATA

d [mm]	l [mm]	d <sub>0</sub> [mm]	h <sub>1</sub> [mm]	h <sub>ef</sub> [mm]	t <sub>fix</sub> [mm]
5	26	5		20	5
6	30	6	40	30	2
6	40	6	50	30	10
6	50	6	60	30	20
6	60	6	70	30	30
6	80	6	90	30	50
6	100	6	110	30	70
8	70	8	80	40	30
8	90	8	100	40	50
8	110	8	120	40	70
8	130	8	140	40	90
8	150	8	160	40	110
8	180	8	190	40	140

### INSTALLATION SCHEME



Frame fixings



Express nail



Express nail

### CARTON BOX PACKING

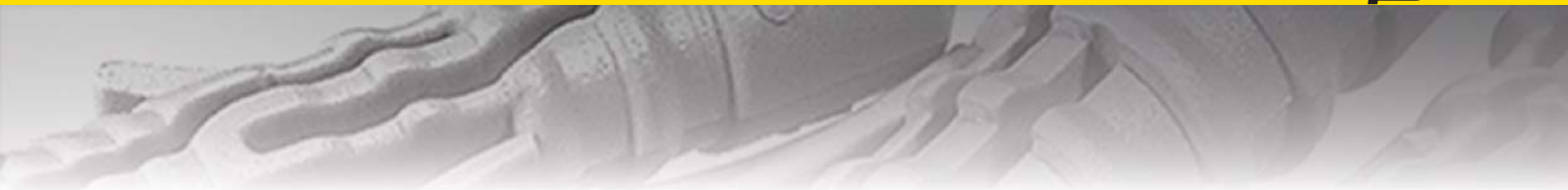
size	pgb code	EAN13		
5x26	SMANH305026 Z	5902134709789	500	
6x30	SMANH306030 Z	5902134709796	200	
6x40	SMANH306040 Z	5902134709802	200	
6x50	SMANH306050 Z	5902134709819	200	
6x60	SMANH306060 Z	5902134709826	200	
6x80	SMANH306080 Z	5902134709833	200	
6x100	SMANH306100 Z	5902134709840	200	
8x70	SMANH308070 Z	5902134709857	100	
8x90	SMANH308090 Z	5902134709864	100	
8x110	SMANH308110 Z	5902134709871	100	
8x130	SMANH308130 Z	5902134709888	100	
8x150	SMANH308150 Z	5902134709895	100	
8x180	SMANH308180 Z	5902134709901	100	

### WINDOW BOX PACKING

size	pgb code	EAN13		
6x30	SMANHE06030 Z	5902134706603	100	
6x40	SMANHE06040 Z	5902134713106	100	
6x50	SMANHE06050 Z	5902134706610	100	
6x60	SMANHE06060 Z	5902134706627	100	
6x80	SMANHE06080 Z	5902134706634	100	
6x100	SMANHE06100 Z	5902134706641	100	
8x70	SMANHE08070 Z	5902134706658	50	
8x90	SMANHE08090 Z	5902134706665	50	
8x110	SMANHE08110 Z	5902134706672	50	
8x130	SMANHE08130 Z	5902134706689	50	
8x150	SMANHE08150 Z	5902134706696	50	

Frame fixings





Scaffold fixing

SMSFP



..... 102



Scaffold fixings

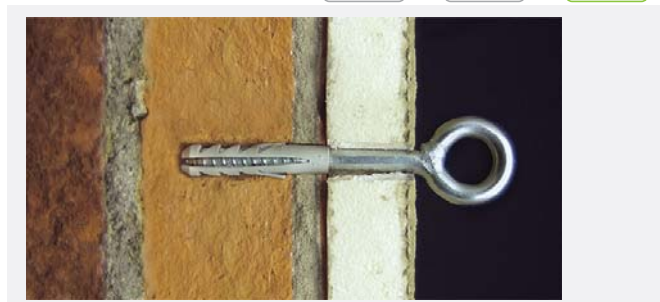
# SMSFP

## SCAFFOLD FIXING

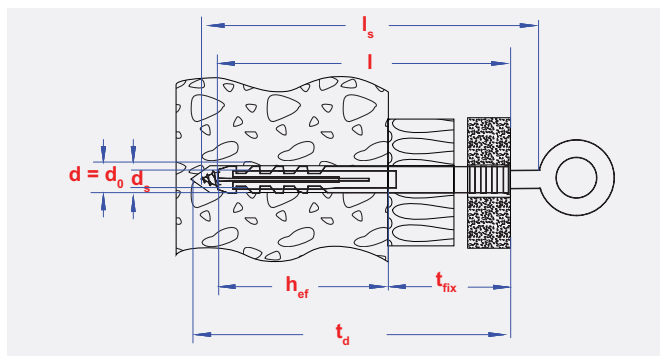


SM050

SMSFP



### SUITABLE FOR



### DESCRIPTION

- Standard scaffold fixing.

### ADVANTAGES

- Scaffold fixing consisting of long nylon plug, welded eyebolt and cover cap (all separately supplied).
- The high quality welding prevents the screw eye from opening.
- The cover caps cover drill holes completely to prevent the base material from exposure to humidity once the fixing is not needed any more.

### APPLICATIONS

- For the fixing of façade scaffolds, climbing scaffolds, bracing cables, safety harnesses.

### FUNCTIONING

- Push-through installation.
- Pre-drill a hole equal to the plug diameter and screw in the screw eye. The screw-in markings provide a visual control during assembly.
- Use the cover caps to close off the remaining drill holes afterwards.

### TECHNICAL DATA SMSFP

d	l	d <sub>0</sub>	h <sub>1</sub>	h <sub>ef</sub>	t <sub>fix</sub>
[mm]	[mm]	[mm]	[mm]	[mm]	[mm]
14	100	14	110	70	30
14	135	14	145	70	65
14	185	14	195	70	115



### TECHNICAL DATA SM050

d	l	eye	t <sub>fix</sub>
[mm]	[mm]	[mm]	[mm]
12	90	25	15
12	120	25	45
12	160	25	85
12	190	25	115
12	230	25	155
12	300	25	225
12	350	25	275



### INSTALLATION SCHEME





Scaffold fixing



Scaffold fixing

**CARTON BOX PACKING**

size	pgb code	EAN13		
14x100	SMSFP314100 N	5902134710334	50	
14x135	SMSFP314135 N	5902134710341	50	
14x185	SMSFP314185 N	5902134710358	25	

**CARTON BOX PACKING**

size	pgb code	EAN13		
12x90	SM0503120090Z	5902134710259	50	
12x120	SM0503120120Z	5902134710266	50	
12x160	SM0503120160Z	5902134710273	50	
12x190	SM0503120190Z	5902134710280	25	
12x230	SM0503120230Z	5902134710297	25	
12x300	SM0503120300Z	5902134710303	25	
12x350	SM0503120350Z	5902134710310	25	



Cover cap for scaffold fixing - transparent colour with overlap 21mm



Cover cap for scaffold fixing - black colour with overlap 21mm

**CARTON BOX PACKING**

size	pgb code	EAN13		
14x40	SMD21314040 NW	5902134710402	50	
14x80	SMD21314080 NW	5902134710419	25	

**CARTON BOX PACKING**

size	pgb code	EAN13		
14x40	SMD21314040 NZ	5902134710426	50	
14x80	SMD21314080 NZ	5902134710433	25	



Cover cap for scaffold fixing - transparent colour with overlap 28mm



Cover cap for scaffold fixing - black colour with overlap 28mm

**CARTON BOX PACKING**

size	pgb code	EAN13		
14x40	SMD28314040 NW	5902134710365	40	
14x80	SMD28314080 NW	5902134710372	20	

**CARTON BOX PACKING**

size	pgb code	EAN13		
14x40	SMD28314040 NZ	5902134710389	40	
14x80	SMD28314080 NZ	5902134710396	20	

Scaffold fixings

## SMART THROUGH BOLT SMK



**ETA 7**



Installation marks

Diameter x Length

Type indication

## SMART THROUGH BOLT S-KA



**ETA 1**









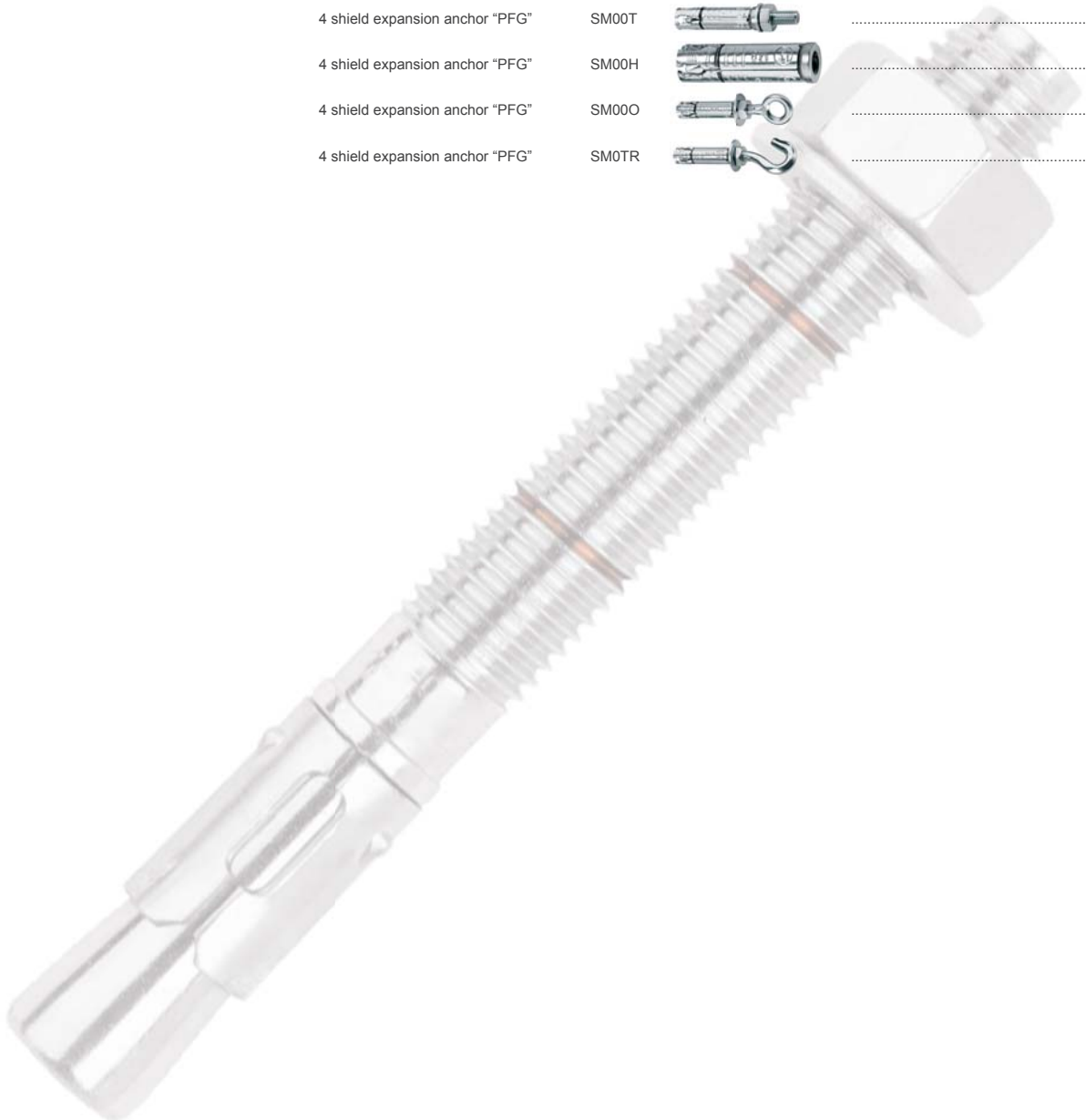
**The most secure solution  
at anytime.**

**Approved for cracked concrete**





Drop-in anchor	SM0IA		.....	106
Through bolt with ETA option 7 - type SMK	SM7KA		.....	108
Through bolt with ETA option 1 - type S-KA	SM1KA		.....	113
4 shield expansion anchor "PFG"	SM00K		.....	116
4 shield expansion anchor "PFG"	SM00T		.....	118
4 shield expansion anchor "PFG"	SM00H		.....	120
4 shield expansion anchor "PFG"	SM00O		.....	122
4 shield expansion anchor "PFG"	SM0TR		.....	124

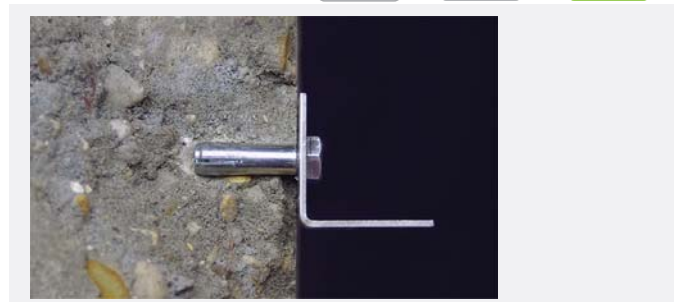


# SMOIA

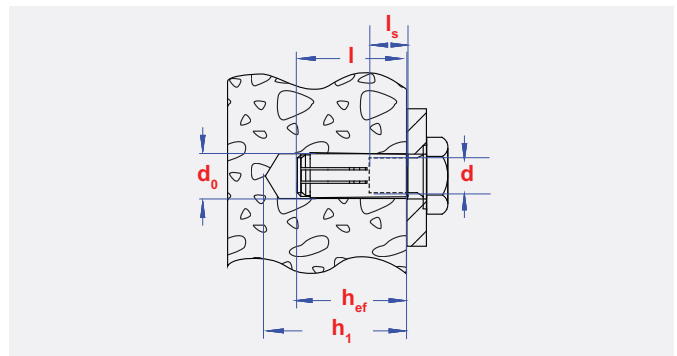
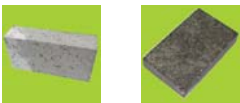
## DROP-IN ANCHOR



### TYPE IA



### SUITABLE FOR



### DESCRIPTION

- Internally threaded anchor for simple hammer-in installation.

### ADVANTAGES

- Due to its small dimensions it is suitable to use in concrete supports with small thickness.
- Internal metric thread allows the use of standard metric screws and threaded rods.
- Mounting in combination with the special setting tool to ensure the best anchoring result.

### APPLICATIONS

- For the fixing of cable conducts and wires, steel constructions, pipelines, ventilation systems, sprinklers, ...

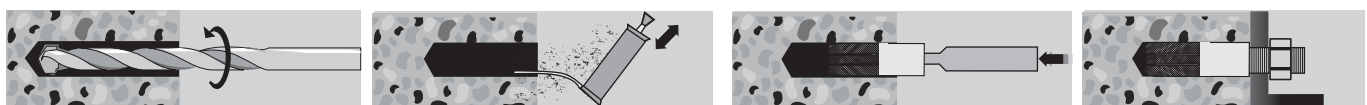
### FUNCTIONING

- Pre-positioned installation.
- Drill a hole as in the table and hammer in the anchor. Use the correct setting tool to drive in the steel cone and the anchor will expand.
- The setting tool must sit on the rim of the anchor to ensure correct expansion.

### TECHNICAL DATA

d	l	d <sub>0</sub>	h <sub>1</sub>	d <sub>s</sub>	l <sub>s</sub>	h <sub>ef</sub>
[mm]	[mm]	[mm]	[mm]	[mm]	[mm]	[mm]
M 6	25	8	30	M 6	11	30
M 8	30	10	35	M 8	13	35
M 10	40	12	45	M 10	15	45
M 12	50	16	55	M 12	19	55
M16	65	20	70	M16	25	70
M 20	80	25	85	M 20	33	85

### INSTALLATION SCHEME





Drop-in anchor



Drop-in anchor stainless steel

### CARTON BOX PACKING

size	pgb code	EAN13		
M 6x25	SM0IA306 Z	5902134708744	100	
M 8x30	SM0IA308 Z	5902134708751	100	
M 10x40	SM0IA310 Z	5902134708768	50	
M 12x50	SM0IA312 Z	5902134708775	50	
M16x65	SM0IA316 Z	5902134708782	25	
M 20x80	SM0IA320 Z	5902134708799	25	

### CARTON BOX PACKING

size	pgb code	EAN13		
M 6x25	SM0IA306 A4	5902134722627	100	
M 8x30	SM0IA308 A4	5902134722634	100	
M 10x40	SM0IA310 A4	5902134722641	50	
M 12x50	SM0IA312 A4	5902134722658	50	
M16x65	SM0IA316 A4	5902134722665	25	
M 20x80	SM0IA320 A4	5902134722672	25	



Drop-in anchor



Setting tool for drop-in anchor

### WINDOW BOX PACKING

size	pgb code	EAN13		
M 6x25	SM0IAE06 Z	5902134706481	50	
M 8x30	SM0IAE08 Z	5902134706498	50	
M 10x40	SM0IAE10 Z	5902134706504	25	
M 12x50	SM0IAE12 Z	5902134706511	20	
M16x65	SM0IAE16 Z	5902134706528	10	

size	pgb code	EAN13		
M 6	SM0IP306 Z	5902134723396	1	
M 8	SM0IP308 Z	5902134723402	1	
M 10	SM0IP310 Z	5902134723419	1	
M 12	SM0IP312 Z	5902134723426	1	
M16	SM0IP316 Z	5902134723433	1	
M 20	SM0IP320 Z	5902134723440	1	

Heavy duty  
fixings

# SM7KA

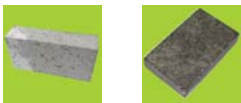
## THROUGH BOLT WITH ETA OPTION 7 - TYPE SMK



### TYPE SMK



### SUITABLE FOR



### DESCRIPTION

- Cost-efficient anchor with technical approval for use in non-cracked concrete.

### ADVANTAGES

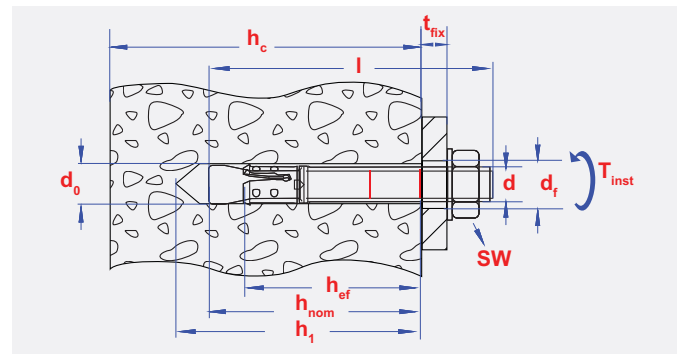
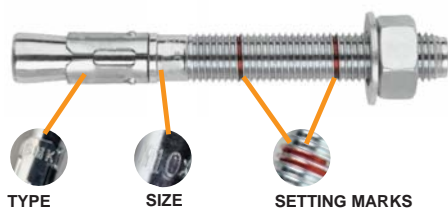
- Vast range for flexible use for medium and heavy load applications.
- Completely mounted with washer and nut.
- The drive-in pin protects the thread from damage.

### APPLICATIONS

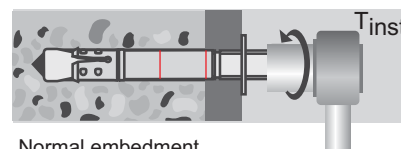
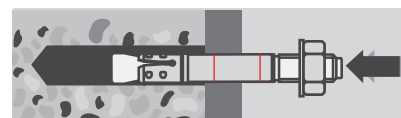
- To be used for fixings subject to static or quasi-static loading in reinforced or non-reinforced normal weight concrete of C20/25 to C50/60 strength class, in accordance with ENV 206:1990-03. For the fixing of steel structures, railings, staircases, gates, machines, ...

### FUNCTIONING

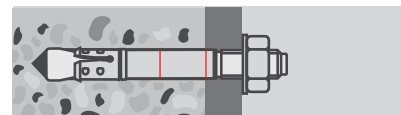
- Pre-positioned and push-through installation.
- Prior to installation, place the nut in the optimal position (the drive-in pin projects by approx. 3 mm out of the hexagon nut).
- When applying the torque, the cone bolt will expand the clip in the drill hole.



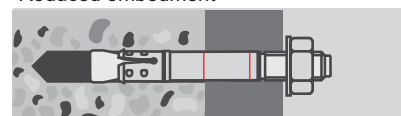
### INSTALLATION SCHEME



Normal embedment



Reduced embedment



## TECHNICAL DATA

d	l	d <sub>0</sub>	h <sub>1</sub>	T <sub>inst</sub>	d <sub>f</sub>	h <sub>ef</sub>	t <sub>fix</sub>	SW
[mm]	[mm]	[mm]	[mm]	[Nm]	[mm]	[mm]	[mm]	[mm]
M 6	60	6	55	7	7	50	2	
M 6	70	6	55	7	7	50	12	
M 6	80	6	55	7	7	50	22	
M 6	90	6	55	7	7	50	32	
M 6	100	6	55	7	7	50	42	10
M 6	110	6	55	7	7	50	52	10
M 6	120	6	55	7	7	50	62	10
M 6	130	6	55	7	7	50	72	10
M 6	140	6	55	7	7	50	82	10
*M 8	60	8	65	20	9	60	5	10
M 8	75	8	65	20	9	60	5	10
M 8	90	8	65	20	9	60	20	10
M 8	115	8	65	20	9	60	45	10
M 8	130	8	65	20	9	60	60	13
*M 10	70	10	70	35	12	67	5	13
M 10	90	10	70	35	12	67	10	13
M 10	120	10	70	35	12	67	40	13
M 10	150	10	70	35	12	67	70	13
M 10	170	10	70	35	12	67	90	17
*M 10	210	10	70	35	12	67	130	17
*M 10	230	10	85	35	12	77	150	17
*M 12	90	12	85	60	14	77	5	17
M 12	110	12	85	60	14	77	18	17
M 12	140	12	85	60	14	77	48	17
M 12	160	12	85	60	14	77	68	17
M 12	180	12	85	60	14	77	88	19
*M 12	220	12	85	60	14	77	128	19
*M 12	250	12	85	60	14	77	158	19
M 14	120	14	100	90	16	92	12	19
M 14	145	14	100	90	16	92	37	19
M 14	170	14	100	90	16	92	62	19
*M 14	220	14	100	90	16	92	112	19
*M 14	250	14	100	90	16	92	142	22
M 16	125	16	110	120	18	104	5	22
M 16	145	16	110	120	18	104	23	22
M 16	170	16	110	120	18	104	48	22
*M 16	220	16	110	120	18	104	98	22
*M 16	250	16	110	120	18	104	128	24
*M 16	280	16	110	120	18	104	158	24
M 20	170	20	135	240	22	125	23	24
*M 20	220	20	135	240	22	125	73	24
*M 20	270	20	135	240	22	125	123	24

\* Do not belong to ETA

## NORMAL EMBEDMENT

d	l	h <sub>1</sub>	h <sub>c(min)</sub>	Nsk	Vsk
[mm]	[mm]	[mm]	[mm]	[kN]	[kN]
M 6	60	55	100	3,9	2,9
M 6	70	55	100	3,9	2,9
M 6	80	55	100	3,9	2,9
M 6	90	55	100	3,9	2,9
M 6	100	55	100	3,9	2,9
M 6	110	55	100	3,9	2,9
M 6	120	55	100	3,9	2,9
M 6	130	55	100	3,9	2,9
M 6	140	55	100	3,9	2,9
M 8	75	65	100	5,7	5,3
M 8	90	65	100	5,7	5,3
M 8	115	65	100	5,7	5,3
M 8	130	65	100	5,7	5,3
M 10	90	70	110	6,3	8,4
M 10	120	70	110	6,3	8,4
M 10	150	70	110	6,3	8,4
M 10	170	70	110	6,3	8,4
M 12	110	85	130	9,9	11,8
M 12	140	85	130	9,9	11,8
M 12	160	85	130	9,9	11,8
M 12	180	85	130	9,9	11,8
M 14	120	100	150	11,9	16,1
M 14	145	100	150	11,9	16,1
M 14	170	100	150	11,9	16,1
M 16	125	110	168	13,9	21,9
M 16	145	110	168	13,9	21,9
M 16	170	110	168	13,9	21,9
M 20	170	135	206	19,8	32,2

## REDUCED EMBEDMENT

d	l	h <sub>1</sub>	h <sub>c(min)</sub>	Nsk	Vsk
[mm]	[mm]	[mm]	[mm]	[kN]	[kN]
M 8	75	50	100	4,3	5,0
M 8	90	50	100	4,3	5,0
M 8	115	50	100	4,3	5,0
M 8	130	50	100	4,3	5,0
M 10	90	60	100	5,4	6,5
M 10	120	60	100	5,4	6,5
M 10	150	60	100	5,4	6,5
M 10	170	60	100	5,4	6,5
M 12	110	70	100	7,1	8,5
M 12	140	70	100	7,1	8,5
M 12	160	70	100	7,1	8,5
M 12	180	70	100	7,1	8,5

## DESIGN RESISTANCE

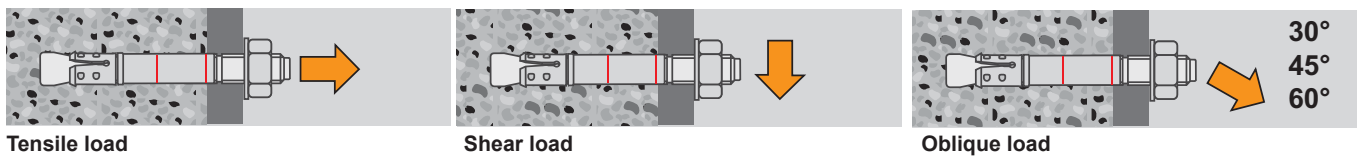
d [mm]	Tensile				Oblique 30°				Oblique 45°				Oblique 60°				Shear C20/25 [kN]
	C20 / 25	C30 / 37	C40 / 50	C50 / 60	C20 / 25	C30 / 37	C40 / 50	C50 / 60	C20 / 25	C30 / 37	C40 / 50	C50 / 60	C20 / 25	C30 / 37	C40 / 50	C50 / 60	
	[kN]	[kN]	[kN]	[kN]	[kN]	[kN]	[kN]	[kN]	[kN]	[kN]	[kN]	[kN]	[kN]	[kN]	[kN]	[kN]	
M 6	5,5	5,5	5,5	5,5	5,1	5,1	5,1	5,1	4,6	4,6	4,6	4,6	4,3	4,3	4,3	4,3	4,1
M 8	8,0	9,7	11,3	12,4	7,0	8,0	8,7	10,0	6,9	7,5	7,8	8,8	6,8	7,2	7,4	8,0	7,4
M10	8,9	10,8	12,5	13,8	8,6	10,0	11,1	11,8	9,0	10,0	10,7	11,2	9,6	10,3	10,8	11,1	11,8
M12	13,9	16,9	19,6	21,5	13,1	15,1	16,7	17,7	13,4	14,8	15,8	16,5	14,0	15,0	15,6	16,0	16,5
M14	16,7	20,3	23,5	25,8	16,3	18,9	20,9	22,3	16,8	19,0	20,4	21,4	18,3	19,8	20,6	21,1	22,5
M16	19,4	23,7	27,4	30,1	19,6	23,0	25,6	27,4	20,9	23,6	25,7	27,0	23,3	25,4	26,8	27,6	30,7
M20	27,8	33,9	39,2	43,1	28,2	33,0	36,9	39,5	30,1	34,2	37,3	39,2	33,8	36,9	38,9	40,2	45,0

Orange values = Steel failure

## RECOMMENDED LOADS

d [mm]	Tensile				Oblique 30°				Oblique 45°				Oblique 60°				Shear C20/25 [kN]
	C20 / 25	C30 / 37	C40 / 50	C50 / 60	C20 / 25	C30 / 37	C40 / 50	C50 / 60	C20 / 25	C30 / 37	C40 / 50	C50 / 60	C20 / 25	C30 / 37	C40 / 50	C50 / 60	
	[kN]	[kN]	[kN]	[kN]	[kN]	[kN]	[kN]	[kN]	[kN]	[kN]	[kN]	[kN]	[kN]	[kN]	[kN]	[kN]	
M 6	3,9	3,9	3,9	3,9	3,6	3,6	3,6	3,6	3,3	3,3	3,3	3,3	3,1	3,1	3,1	3,1	2,9
M 8	5,7	7,0	8,0	8,9	5,0	5,7	6,2	7,1	4,9	5,4	5,6	6,3	4,9	5,1	5,3	5,7	5,3
M10	6,3	7,7	8,9	9,8	6,1	7,1	7,9	8,4	6,4	7,1	7,6	8,0	6,9	7,4	7,7	7,9	8,4
M12	9,9	12,1	14,0	15,4	9,4	10,8	11,9	12,6	9,6	10,6	11,3	11,8	10,0	10,7	11,1	11,4	11,8
M14	11,9	14,5	16,8	18,5	11,6	13,5	14,9	15,9	12,0	13,6	14,6	15,3	13,1	14,1	14,7	15,1	16,1
M16	13,9	16,9	19,6	21,5	14,0	16,4	18,3	19,6	14,9	16,9	18,4	19,3	16,6	18,1	19,1	19,7	21,9
M20	19,8	24,2	28,0	30,8	20,1	23,6	26,4	28,2	21,5	24,4	26,6	28,0	24,1	26,4	27,8	28,7	32,2

Orange values = Steel failure



Tensile load

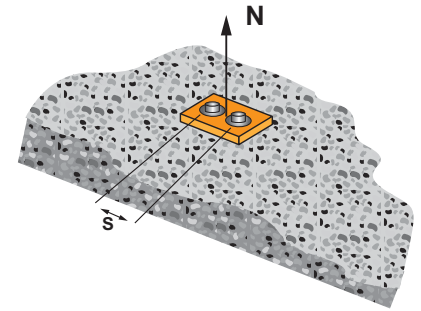
Shear load

Oblique load

## TENSION LOADS

### Spacing between anchors [S] in mm

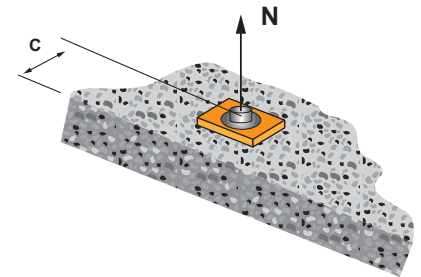
d [mm]	S <sub>min</sub>						Scr,N
M 6	50	60	72	84	96	108	120
M 8	65	72	86	101	115	130	144
M10	70	83	99	116	132	149	165
M12	85	98	117	137	156	176	195
M14	100	113	135	158	180	203	225
M16	110	126	151	176	202	227	252
M20	135	155	185	216	247	278	309
f	0,72	0,75	0,8	0,85	0,9	0,95	1,0



## TENSION LOADS TOWARDS THE EDGE

### Distance towards the edge [C] in mm

d [mm]	C <sub>min</sub>						Ccr,N
M 6	50	54	55	56	58	59	60
M 8	65	65	66	68	69	71	72
M10	70	75	76	78	80	81	83
M12	85	88	90	92	94	96	98
M14	100	102	104	106	108	111	113
M16	110	113	116	118	121	123	126
M20	135	140	143	146	149	152	155
f	0,93	0,95	0,96	0,97	0,98	0,99	1,0

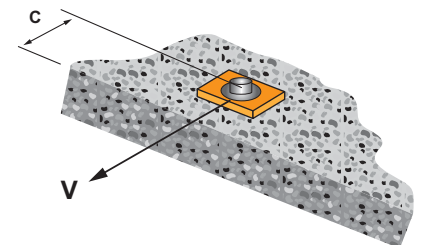


Heavy duty  
fixings

## SHEAR LOADS TOWARDS THE EDGE

### Distance towards the edge [C] in mm

d [mm]	S <sub>min</sub>						Scr,N
M 6	--	--	--	53	58	62	66
M 8	--	--	66	74	79	86	92
M10	70	73	83	92	101	109	116
M12	85	87	98	109	117	128	138
M14	100	102	114	127	139	150	161
M16	110	120	136	150	164	177	190
M20	135	144	163	180	197	213	229
f	0,46	0,5	0,6	0,7	0,8	0,9	1,0





Through bolt with ETA option 7 - type SMK



Through bolt with ETA option 7 - type SMK

### CARTON BOX PACKING

size	pgb code	EAN13		
M 6x60	SM7KA306060 Z	5902134719740	200	
M 6x70	SM7KA306070 Z	5902134719757	200	
M 6x80	SM7KA306080 Z	5902134719764	200	
M 6x90	SM7KA306090 Z	5902134719771	200	
M 6x100	SM7KA306100 Z	5902134719788	200	
M 6x110	SM7KA306110 Z	5902134719795	200	
M 6x120	SM7KA306120 Z	5902134719801	100	
M 6x130	SM7KA306130 Z	5902134719818	100	
M 6x140	SM7KA306140 Z	5902134719825	100	
*M 8x60	SM0KA308060 Z	5902134720029	100	
M 8x75	SM7KA308075 Z	5902134719832	100	
M 8x90	SM7KA308090 Z	5902134719849	100	
M 8x115	SM7KA308115 Z	5902134719856	100	
M 8x130	SM7KA308130 Z	5902134719863	100	
*M 10x70	SM0KA310070 Z	5902134720036	100	
M 10x90	SM7KA310090 Z	5902134719870	100	
M 10x120	SM7KA310120 Z	5902134719887	50	
M 10x150	SM7KA310150 Z	5902134719894	50	
M 10x170	SM7KA310170 Z	5902134719900	50	
*M 10x210	SM0KA310210 Z	5902134720043	50	
*M 10x230	SM0KA310230 Z	5902134720050	50	
*M 12x90	SM0KA312090 Z	5902134720067	50	
M 12x110	SM7KA312110 Z	5902134719917	50	
M 12x140	SM7KA312140 Z	5902134719924	50	
M 12x160	SM7KA312160 Z	5902134719931	50	
M 12x180	SM7KA312180 Z	5902134719948	50	

### CARTON BOX PACKING

size	pgb code	EAN13		
*M 12x220	SM0KA312220 Z	5902134720074	50	
*M 12x250	SM0KA312250 Z	5902134720081	25	
M 14x120	SM7KA314120 Z	5902134719955	25	
M 14x145	SM7KA314145 Z	5902134719962	25	
M 14x170	SM7KA314170 Z	5902134719979	25	
*M 14x220	SM0KA314220 Z	5902134720098	25	
*M 14x250	SM0KA314250 Z	5902134720104	25	
M 16x125	SM7KA316125 Z	5902134719986	25	
M 16x145	SM7KA316145 Z	5902134719993	25	
M 16x170	SM7KA316170 Z	5902134720005	25	
*M 16x220	SM0KA316220 Z	5902134720111	25	
*M 16x250	SM0KA316250 Z	5902134720128	25	
*M 16x280	SM0KA316280 Z	5902134720135	25	
M 20x170	SM7KA320170 Z	5902134720012	20	
*M 20x220	SM0KA320220 Z	5902134720142	20	
*M 20x270	SM0KA320270 Z	5902134720159	20	

\* Do not belong to ETA.

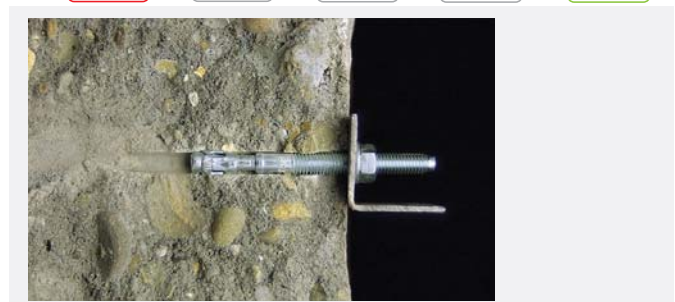
SMKI - stainless steel A4 available upon request.

Heavy duty fixings

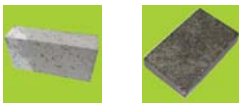


# SM1KA

## THROUGH BOLT WITH ETA OPTION 1 - TYPE S-KA / S-KAH



### BEST SUITABLE FOR



### ALSO SUITABLE FOR



Max. M8

### DESCRIPTION

- Cost-efficient anchor with technical approval for use in cracked and non-cracked concrete C20/25 to C50/60.

### ADVANTAGES

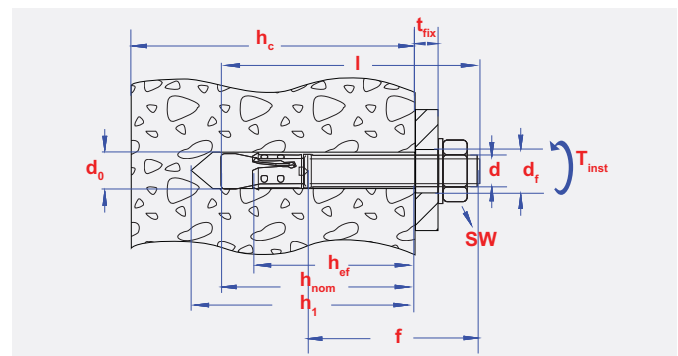
- Vast range for flexible use for medium and heavy load applications.
- Completely mounted with washer and nut.
- The drive-in pin protects the thread from damage.

### APPLICATIONS

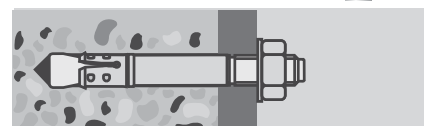
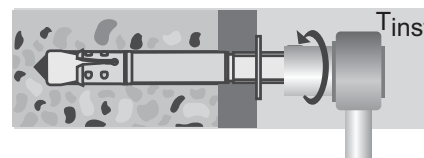
- For use in cracked and non-cracked concrete of C20/25 to C50/60 strength class, in accordance with ENV 206:1990-03. For the fixing of steel structures, railings, staircases, gates, machines, ...

### FUNCTIONING

- Pre-positioned and push-through installation.
- Prior to installation, place the nut in the optimal position (the drive-in pin projects by approx. 3 mm out of the hexagon nut).
- When applying the torque, the cone bolt will expand the clip in the drill hole.



### INSTALLATION SCHEME



Heavy duty  
fixings

### TECHNICAL DATA TYPE S-KA

d	l	d <sub>0</sub>	h <sub>1</sub>	T <sub>inst</sub>	d <sub>f</sub>	h <sub>ef</sub>	t <sub>fix</sub>	f	SW
[mm]	[mm]	[mm]	[mm]	[Nm]	[mm]	[mm]	[mm]	[mm]	[mm]
*M 6	65	6	50	7	7	35	15	38	10
*M 6	100	6	50	7	7	35	50	60	10
M 8	72	8	60	20	9	45	10	32	13
M 8	92	8	60	20	9	45	30	52	13
M 8	112	8	60	20	9	45	50	72	13
M 8	147	8	60	20	9	45	80	107	13
M 10	92	10	75	35	12	60	10	47	17
M 10	102	10	75	35	12	60	20	57	17
M 10	112	10	75	35	12	60	30	67	17
M 10	132	10	75	35	12	60	50	87	17
M 10	162	10	75	35	12	60	80	115	17
M12	103	12	90	50	14	70	5	53	19
M12	118	12	90	50	14	70	20	68	19
M12	128	12	90	50	14	70	30	78	19
M12	148	12	90	50	14	70	50	98	19
M12	163	12	90	50	14	70	65	113	19
M12	178	12	90	50	14	70	80	115	19
M16	123	16	110	120	18	85	5	65	24
M16	138	16	110	120	18	85	20	80	24
M16	168	16	110	120	18	85	50	110	24

### TECHNICAL DATA TYPE S-KAH (A4)

d	l	d <sub>0</sub>	h <sub>1</sub>	T <sub>inst</sub>	d <sub>f</sub>	h <sub>ef</sub>	t <sub>fix</sub>	f	SW
[mm]	[mm]	[mm]	[mm]	[Nm]	[mm]	[mm]	[mm]	[mm]	[mm]
*M 6	65	6	50	7	7	35	15	28	10
*M 8	52	8	45	15	9	30	2	23	13
M 8	72	8	60	15	9	45	10	32	13
M 8	92	8	60	15	9	45	30	52	13
M 8	112	8	60	15	9	45	50	72	13
M 10	92	10	75	35	12	60	10	47	17
M 10	112	10	75	35	12	60	30	57	17
M12	118	12	90	70	14	70	20	68	19

\* Do not belong to ETA

### TENSION AND SHEAR LOADS <sup>1) 2)</sup>

d	Non-cracked concrete C20/25		Cracked concrete C20/25	
	N <sub>sk</sub>	<sup>3)</sup> V <sub>sk</sub>	N <sub>sk</sub>	<sup>3)</sup> V <sub>sk</sub>
[mm]	[kN]	[kN]	[kN]	[kN]
*M 6	1,8	1,8	-	-
M 8	3,6	4,8	2,0	4,8
M 10	6,3	8,7	3,6	8,7
M12	7,9	11	4,8	11
M16	16,7	21	9,5	21

#### Option 1 - according to Design Method A

\* Not part of ETA approvals. Figures are manufacturer's recommendations.

<sup>1)</sup> Load figures include the resistances' partial safety factors as per approvals and a partial safety factor on the action of γF= 1.4. Load figures apply for a rebar spacing s ≥ 15 cm or alternatively for a rebar spacing s ≥ 10 cm in combination with a rebar diameter of ds ≤ 10 mm.

<sup>2)</sup> Concrete is considered uncracked when the value of tension within the concrete is σL + σR ≤ 0. In the absence of detailed verification σR = 3 N/mm<sup>2</sup> can be assumed (σL equals the tension within the concrete as a result of external loads, forces on anchor included; σR equals the tension coming from shrinkage or creep of the concrete, as well as displacements of supports or temperature variations).

<sup>3)</sup> Shear load figures apply for an anchor without influence of a concrete edge. For shear loads close to an edge (c ≤ 10 x hef), concrete edge failure has to be checked as per ETAG, Annex C, Design Method A.



Tensile load

Shear load

### GEOMETRICAL INSTALLATION DATA

d	C <sub>cr,N</sub>	S <sub>cr,N</sub>	h <sub>min</sub>	s <sub>min</sub>	C <sub>min</sub>
[mm]	[mm]	[mm]	[mm]	[mm]	[mm]
M 8	68	135	100	50	50
M 10	90	180	120	55	50
M12	105	210	140	60	55
M16	128	255	170	70	85



Through bolt with ETA option 1 - type S-KA



Through bolt with ETA option 1 - type S-KA

### CARTON BOX PACKING

size	pgb code	EAN13		
M 8x72	SM1KA308072 Z	5902134717142	50	
M 8x92	SM1KA308092 Z	5902134717159	50	
M 8x112	SM1KA308112 Z	5902134717166	40	
M 8x147	SM1KA308147 Z	5902134717173	40	
M 10x92	SM1KA310092 Z	5902134717180	40	
M 10x102	SM1KA310102 Z	5902134717197	25	
M 10x112	SM1KA310112 Z	5902134717203	25	
M 10x132	SM1KA310132 Z	5902134717210	25	
M 10x162	SM1KA310162 Z	5902134717227	25	
M12x103	SM1KA312103 Z	5902134717234	20	
M12x118	SM1KA312118 Z	5902134717241	20	
M12x128	SM1KA312128 Z	5902134717258	20	
M12x148	SM1KA312148 Z	5902134717265	20	
M12x163	SM1KA312163 Z	5902134717272	20	
M12x178	SM1KA312178 Z	5902134717289	20	
M16x123	SM1KA316123 Z	5902134717296	10	
M16x138	SM1KA316138 Z	5902134717302	10	
M16x168	SM1KA316168 Z	5902134717319	10	

### WINDOW BOX PACKING

size	pgb code	EAN13		
M 8x72	SM1KAE08072 Z	5902134718347	25	
M 8x92	SM1KAE08092 Z	5902134718354	25	
M 8x112	SM1KAE08112 Z	5902134718361	20	
M 8x147	SM1KAE08147 Z	5902134718378	20	
M 10x92	SM1KAE10092 Z	5902134718385	20	
M 10x102	SM1KAE10102 Z	5902134718392	15	
M 10x112	SM1KAE10112 Z	5902134718408	15	
M 10x132	SM1KAE10132 Z	5902134718415	15	
M 10x162	SM1KAE10162 Z	5902134718422	15	
M12x103	SM1KAE12103 Z	5902134718439	10	
M12x118	SM1KAE12118 Z	5902134718446	10	
M12x128	SM1KAE12128 Z	5902134718453	10	
M12x148	SM1KAE12148 Z	5902134718460	10	
M12x163	SM1KAE12163 Z	5902134718477	10	
M12x178	SM1KAE12178 Z	5902134718484	5	
M16x123	SM1KAE16123 Z	5902134718491	5	
M16x138	SM1KAE16138 Z	5902134718507	5	
M16x168	SM1KAE16168 Z	5902134718514	5	

S-KAH : stainless steel A4 available upon request.

S-KAK: hot dip galvanized steel available upon request.

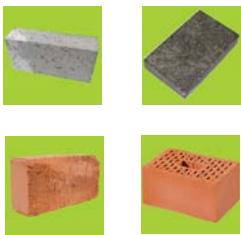
S-KAH HCR: high corrosion resistant stainless steel available upon request.

Heavy duty  
fixings

### TYPE K



### BEST SUITABLE FOR



### ALSO SUITABLE FOR



### DESCRIPTION

- 4 shield anchor with loose bolt and washer.

### ADVANTAGES

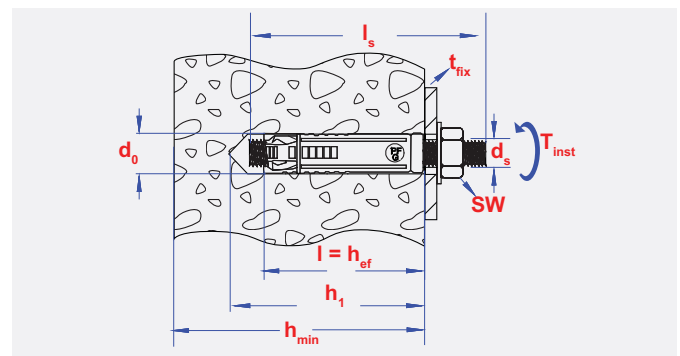
- Anchor designed for medium-heavy and heavy fixings in solid materials.
- The 4-way expansion structure allows solid anchoring, also in more porous (old) bricks.
- ETA approval option 8 of use in non-cracked concrete.

### APPLICATIONS

- For the fixing of steel structures, railings, staircases, gates, machines, ...

### FUNCTIONING

- Pre-positioned installation.
- When applying the torque, the cone is pulled into the expansion sleeve and expands it in the drill hole.



### TECHNICAL DATA

d	l	d <sub>0</sub>	h <sub>1</sub>	h <sub>ef</sub>	t <sub>fix</sub>	SW
[mm]	[mm]	[mm]	[mm]	[mm]	[mm]	[mm]
M 6	62	10	45	40	15	10
M 6	77	10	45	40	30	10
M 8	78	14	55	50	20	13
M 8	88	14	55	50	30	13
M 8	103	14	55	50	45	13
M 8	143	14	55	50	85	13
M 10	84	16	65	60	10	17
M 10	94	16	65	60	20	17
M 10	104	16	65	60	30	17
M 10	114	16	65	60	40	17
M 10	124	16	65	60	50	17
M 10	144	16	65	60	70	17
M 12	115	20	85	80	20	19
M 12	125	20	85	80	30	19
M 12	145	20	85	80	50	19
M 12	160	20	85	80	65	19

### INSTALLATION SCHEME



## TENSION AND SHEAR LOADS <sup>1) 2)</sup>

Non-cracked concrete C20/25

d [mm]	T <sub>inst</sub> [Nm]	N <sub>sk</sub> [kN]	<sup>3)</sup> V <sub>sk</sub> [kN]
*M 6	10	2,4	4,6
M 8	25	4,3	8,4
M 10	50	5,7	13,3
M12	85	7,6	19,
M16	120	11,9	35,9

Option 8 - according to Design Method A



4 shield expansion anchor "PFG"



4 shield expansion anchor "PFG"

\* Not part of ETA approvals. Figures are manufacturer's recommendations.

<sup>1)</sup> Load figures include the resistances' partial safety factors as per approvals and a partial safety factor on the action of  $\gamma F = 1.4$ . Load figures apply for a rebar spacing  $s \geq 15$  cm or alternatively for a rebar spacing  $s \geq 10$  cm in combination with a rebar diameter of  $d_s \leq 10$  mm.

<sup>2)</sup> Concrete is considered uncracked when the value of tension within the concrete is  $\sigma L + \sigma R \leq 0$ . In the absence of detailed verification  $\sigma R = 3$  N/mm<sup>2</sup> can be assumed ( $\sigma L$  equals the tension within the concrete as a result of external loads, forces on anchor included;  $\sigma R$  equals the tension coming from shrinkage or creep of the concrete, as well as displacements of supports or temperature variations).

<sup>3)</sup> Shear load figures apply for an anchor without influence of a concrete edge. For shear loads close to an edge ( $c \leq 10 \times \text{hef}$ ), concrete edge failure has to be checked as per ETAG, Annex C, Design Method A.

## CARTON BOX PACKING

size	pgb code	EAN13		
M 6x62	SM00K306060 Z	5902134717555	50	
M 6x77	SM00K306075 Z	5902134717562	50	
M 8x78	SM00K308075 Z	5902134717579	50	
M 8x88	SM00K308085 Z	5902134717586	50	
M 8x103	SM00K308100 Z	5902134717593	50	
M 8x143	SM00K308140 Z	5902134717609	25	
M 10x84	SM00K310080 Z	5902134717616	25	
M 10x94	SM00K310090 Z	5902134717623	25	
M 10x104	SM00K310100 Z	5902134717630	25	
M 10x114	SM00K310110 Z	5902134717647	25	
M 10x124	SM00K310120 Z	5902134717654	25	
M 10x144	SM00K310140 Z	5902134717661	25	
M 12x115	SM00K312110 Z	5902134717678	10	
M 12x125	SM00K312120 Z	5902134717685	10	
M 12x145	SM00K312140 Z	5902134717692	10	
M 12x160	SM00K312155 Z	5902134717708	10	

## WINDOW BOX PACKING

size	pgb code	EAN13		
M 6x62	SM00KE06060 Z	5902134719122	25	
M 6x77	SM00KE06075 Z	5902134719139	25	
M 8x78	SM00KE08075 Z	5902134719146	25	
M 8x88	SM00KE08085 Z	5902134719153	25	
M 8x103	SM00KE08100 Z	5902134719160	25	
M 8x143	SM00KE08140 Z	5902134719177	15	
M 10x84	SM00KE10080 Z	5902134719184	15	
M 10x94	SM00KE10090 Z	5902134719191	15	
M 10x104	SM00KE10100 Z	5902134719207	15	
M 10x114	SM00KE10110 Z	5902134719214	15	
M 10x124	SM00KE10120 Z	5902134719221	15	
M 10x144	SM00KE10140 Z	5902134719238	15	
M 12x115	SM00KE12110 Z	5902134719245	5	
M 12x125	SM00KE12120 Z	5902134719252	5	
M 12x145	SM00KE12140 Z	5902134719269	5	
M 12x160	SM00KE12155 Z	5902134719276	5	

Heavy duty  
fixings

### TYPE T



### BEST SUITABLE FOR



### ALSO SUITABLE FOR



### DESCRIPTION

- 4 shield anchor with threaded rod, washer and nut.

### ADVANTAGES

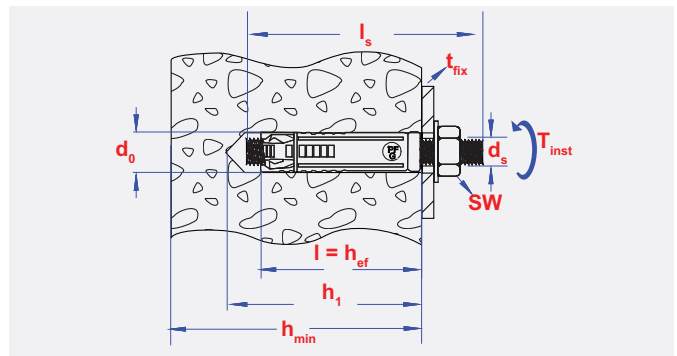
- Anchor designed for medium-heavy and heavy fixings in solid materials.
- The 4-way expansion structure allows solid anchoring, also in more porous (old) bricks.
- ETA approval option 8 of use in non-cracked concrete.

### APPLICATIONS

- For the fixing of steel structures, railings, staircases, gates, machines, ...

### FUNCTIONING

- Pre-positioned installation.
- When applying the torque, the cone is pulled into the expansion sleeve and expands it in the drill hole.



### TECHNICAL DATA

d	l	d <sub>0</sub>	h <sub>1</sub>	h <sub>ef</sub>	t <sub>fix</sub>	SW
[mm]	[mm]	[mm]	[mm]	[mm]	[mm]	[mm]
M 6	60	10	45	40	15	10
M 6	80	10	45	40	35	10
M 8	83	14	55	50	25	13
M 8	93	14	55	50	35	13
M 8	103	14	55	50	45	13
M 10	86	16	65	60	15	17
M 10	106	16	65	60	35	17
M 10	126	16	65	60	55	17
M 10	156	16	65	60	85	17
M 12	115	20	85	80	20	19
M 12	145	20	85	80	50	19
M 12	165	20	85	80	70	19

### INSTALLATION SCHEME



## TENSION AND SHEAR LOADS <sup>1) 2)</sup>

Non-cracked concrete C20/25

d [mm]	T <sub>inst</sub> [Nm]	N <sub>sk</sub> [kN]	<sup>3)</sup> V <sub>sk</sub> [kN]
*M 6	10	2,4	4,6
M 8	25	4,3	8,4
M 10	50	5,7	13,3
M12	85	7,6	19,
M16	120	11,9	35,9

Option 8 - according to Design Method A



4 shield expansion anchor "PFG"



4 shield expansion anchor "PFG"



\* Not part of ETA approvals. Figures are manufacturer's recommendations.

<sup>1)</sup> Load figures include the resistances' partial safety factors as per approvals and a partial safety factor on the action of  $\gamma F = 1.4$ . Load figures apply for a rebar spacing  $s \geq 15$  cm or alternatively for a rebar spacing  $s \geq 10$  cm in combination with a rebar diameter of  $d_s \leq 10$  mm.

<sup>2)</sup> Concrete is considered uncracked when the value of tension within the concrete is  $\sigma L + \sigma R \leq 0$ . In the absence of detailed verification  $\sigma R = 3$  N/mm<sup>2</sup> can be assumed ( $\sigma L$  equals the tension within the concrete as a result of external loads, forces on anchor included;  $\sigma R$  equals the tension coming from shrinkage or creep of the concrete, as well as displacements of supports or temperature variations).

<sup>3)</sup> Shear load figures apply for an anchor without influence of a concrete edge. For shear loads close to an edge ( $c \leq 10 \times h_{ef}$ ), concrete edge failure has to be checked as per ETAG, Annex C, Design Method A.

## CARTON BOX PACKING

size	pgb code	EAN13		
M 6x60	SM00T306050 Z	5902134717739	50	
M 6x80	SM00T306070 Z	5902134717746	50	
M 8x83	SM00T308070 Z	5902134717753	50	
M 8x93	SM00T308080 Z	5902134717760	50	
M 8x103	SM00T308090 Z	5902134717777	50	
M 10x86	SM00T310070 Z	5902134717784	25	
M 10x106	SM00T310090 Z	5902134717791	25	
M 10x126	SM00T310110 Z	5902134717807	25	
M 10x156	SM00T310140 Z	5902134717814	25	
M 12x115	SM00T312090 Z	5902134717821	25	
M 12x145	SM00T312120 Z	5902134717838	25	
M 12x165	SM00T312140 Z	5902134717845	10	

## WINDOW BOX PACKING

size	pgb code	EAN13		
M 6x60	SM00TE06050 Z	5902134719320	25	
M 6x80	SM00TE06070 Z	5902134719337	25	
M 8x83	SM00TE08070 Z	5902134719344	25	
M 8x93	SM00TE08080 Z	5902134719351	25	
M 8x103	SM00TE08090 Z	5902134719368	25	
M 10x86	SM00TE10070 Z	5902134719375	15	
M 10x106	SM00TE10090 Z	5902134719382	15	
M 10x126	SM00TE10110 Z	5902134719399	15	
M 10x156	SM00TE10140 Z	5902134719405	15	
M 12x115	SM00TE12090 Z	5902134719412	10	
M 12x145	SM00TE12120 Z	5902134719429	10	
M 12x165	SM00TE12140 Z	5902134719436	5	

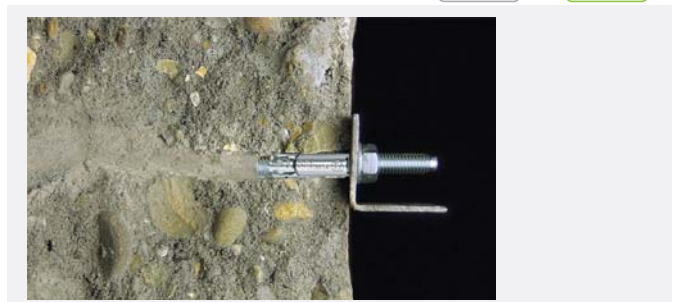
Heavy duty fixings

# SMOOTH

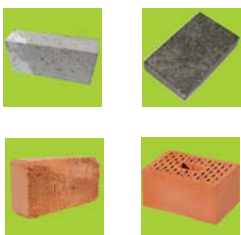
## 4 SHIELD EXPANSION ANCHOR "PFG"



### TYPE H



### BEST SUITABLE FOR



### ALSO SUITABLE FOR



### DESCRIPTION

- 4 shield anchor with internal thread, for use with standard screws or threaded rods.

### ADVANTAGES

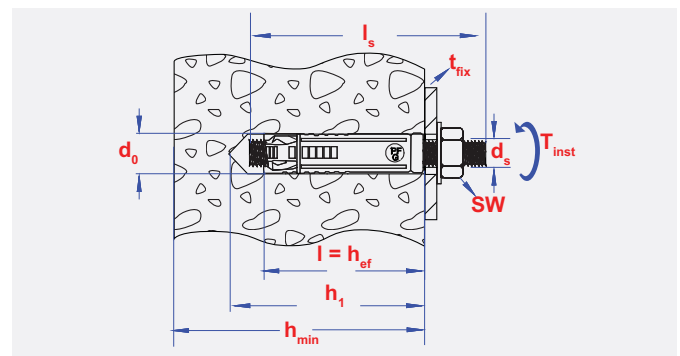
- Anchor designed for medium-heavy and heavy fixings in solid materials.
- The 4-way expansion structure allows solid anchoring, also in more porous (old) bricks.
- ETA approval option 8 of use in non-cracked concrete.

### APPLICATIONS

- For the fixing of steel structures, railings, staircases, gates, machines, ...

### FUNCTIONING

- Pre-positioned installation.
- When applying the torque, the cone is pulled into the expansion sleeve and expands it in the drill hole.



### TECHNICAL DATA

d	l	d <sub>0</sub>	h <sub>1</sub>	h <sub>ef</sub>
[mm]	[mm]	[mm]	[mm]	[mm]
M 6	40	10	45	40
M 8	50	14	55	50
M 10	60	16	65	60
M 12	80	20	85	80

### INSTALLATION SCHEME





## TENSION AND SHEAR LOADS <sup>1) 2)</sup>

Non-cracked concrete C20/25

d [mm]	T <sub>inst</sub> [Nm]	N <sub>sk</sub> [kN]	<sup>3)</sup> V <sub>sk</sub> [kN]
*M 6	10	2,4	4,6
M 8	25	4,3	8,4
M 10	50	5,7	13,3
M12	85	7,6	19,
M16	120	11,9	35,9

Option 8 - according to Design Method A



4 shield expansion anchor "PFG"



4 shield expansion anchor "PFG"



\* Not part of ETA approvals. Figures are manufacturer's recommendations.

<sup>1)</sup> Load figures include the resistances' partial safety factors as per approvals and a partial safety factor on the action of  $\gamma F = 1.4$ . Load figures apply for a rebar spacing  $s \geq 15$  cm or alternatively for a rebar spacing  $s \geq 10$  cm in combination with a rebar diameter of  $d_s \leq 10$  mm.

<sup>2)</sup> Concrete is considered uncracked when the value of tension within the concrete is  $\sigma L + \sigma R \leq 0$ . In the absence of detailed verification  $\sigma R = 3$  N/mm<sup>2</sup> can be assumed ( $\sigma L$  equals the tension within the concrete as a result of external loads, forces on anchor included;  $\sigma R$  equals the tension coming from shrinkage or creep of the concrete, as well as displacements of supports or temperature variations).

<sup>3)</sup> Shear load figures apply for an anchor without influence of a concrete edge. For shear loads close to an edge ( $c \leq 10 \times h_{ef}$ ), concrete edge failure has to be checked as per ETAG, Annex C, Design Method A.

## CARTON BOX PACKING

size	pgb code	EAN13		
M 6x40	SM00H306040 Z	5902134717876	50	
M 8x50	SM00H308050 Z	5902134717883	50	
M 10x60	SM00H310060 Z	5902134717890	50	
M 12x80	SM00H312080 Z	5902134717906	25	

## WINDOW BOX PACKING

size	pgb code	EAN13		
M 6x40	SM00HE06040 Z	5902134719085	25	
M 8x50	SM00HE08050 Z	5902134719092	25	
M 10x60	SM00HE10060 Z	5902134719108	25	
M 12x80	SM00HE12080 Z	5902134719115	10	

Heavy duty  
fixings

# SM000

## 4 SHIELD EXPANSION ANCHOR "PFG"



### TYPE O



### BEST SUITABLE FOR



### ALSO SUITABLE FOR

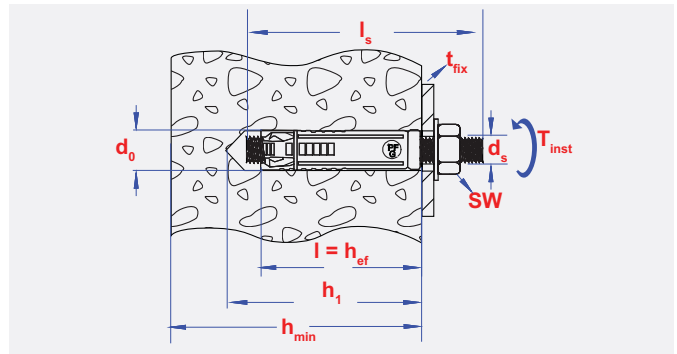


### DESCRIPTION

- 4 shield anchor with forged eye bolt.

### ADVANTAGES

- Anchor designed for medium-heavy and heavy fixings in solid materials.
- The 4-way expansion structure allows solid anchoring, also in more porous (old) bricks.
- 



### TECHNICAL DATA

d	l	d <sub>0</sub>	h <sub>1</sub>	d <sub>s</sub>	h <sub>ef</sub>
[mm]	[mm]	[mm]	[mm]	[mm]	[mm]
M 6	70	10	45	10	40
M 8	90	14	55	11,8	50
M 10	110	16	65	14,5	60
M 12	140	20	85	17	80

### APPLICATIONS

- For the fixing of steel structures, railings, staircases, gates, machines, ...

### FUNCTIONING

- Pre-positioned installation.
- When applying the torque, the cone is pulled into the expansion sleeve and expands it in the drill hole.

### INSTALLATION SCHEME



## TENSION LOADS <sup>1)</sup>

Non-cracked concrete C20/25

d [mm]	T <sub>inst</sub> [Nm]	N <sub>sk</sub> [kN]
M 6	10	2,0
M 8	25	3,6
M 10	50	4,8
M 12	85	6,3
M 16	120	9,9

<sup>1)</sup>Not part of ETA approvals. Figures are manufacturer's recommendations.



4 shield expansion anchor "PFG"



4 shield expansion anchor "PFG"

## CARTON BOX PACKING

size	pgb code	EAN13		
M 6x70	SM00O306070 Z	5902134717920	25	
M 8x90	SM00O308090 Z	5902134717937	25	
M 10x110	SM00O310110 Z	5902134717944	10	
M 12x140	SM00O312140 Z	5902134717951	10	

## WINDOW BOX PACKING

size	pgb code	EAN13		
M 6x70	SM00OE06070 Z	5902134719283	15	
M 8x90	SM00OE08090 Z	5902134719290	15	
M 10x110	SM00OE10110 Z	5902134719306	5	
M 12x140	SM00OE12140 Z	5902134719313	5	

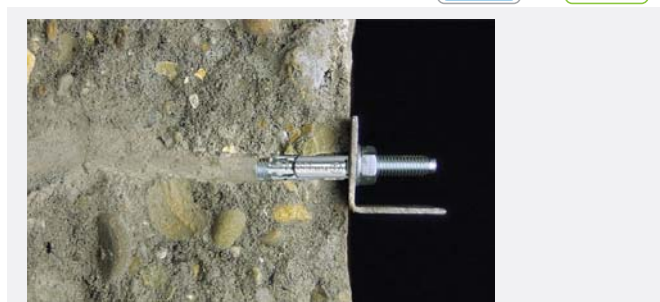
Heavy duty  
fixings

# SMOTR

## 4 SHIELD EXPANSION ANCHOR "PFG"



### TYPE TR



### BEST SUITABLE FOR



### ALSO SUITABLE FOR



### DESCRIPTION

- 4 shield anchor with forged hook bolt.

### ADVANTAGES

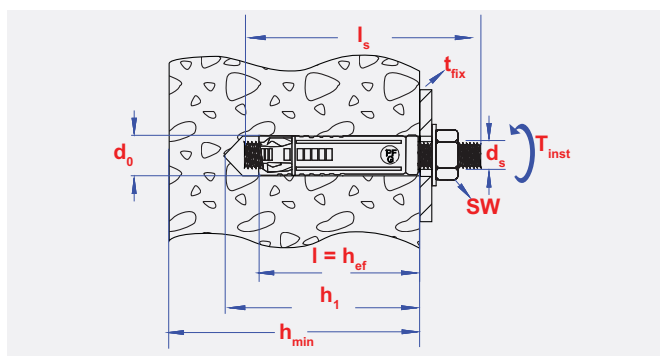
- Anchor designed for medium-heavy and heavy fixings in solid materials.
- The 4-way expansion structure allows solid anchoring, also in more porous (old) bricks.
- 

### APPLICATIONS

- For the fixing of steel structures, railings, staircases, gates, machines, ...

### FUNCTIONING

- Pre-positioned installation.
- When applying the torque, the cone is pulled into the expansion sleeve and expands it in the drill hole.



### TECHNICAL DATA

d	l	d <sub>0</sub>	h <sub>1</sub>	d <sub>s</sub>	h <sub>ef</sub>
[mm]	[mm]	[mm]	[mm]	[mm]	[mm]
M 6	70	10	45	8	40
M 8	90	14	55	10	50
M 10	110	16	65	12,5	60
M 12	140	20	85	16	80

### INSTALLATION SCHEME



Heavy duty fixings

## TENSION LOADS <sup>1)</sup>

Non-cracked concrete C20/25

d [mm]	T <sub>inst</sub> [Nm]	N <sub>sk</sub> [kN]
M 6	10	2,0
M 8	25	3,6
M 10	50	4,8
M 12	85	6,3
M 16	120	9,9

<sup>1)</sup>Not part of ETA approvals. Figures are manufacturer's recommendations.




4 shield expansion anchor "PFG"




4 shield expansion anchor "PFG"

## CARTON BOX PACKING

size	pgb code	EAN13		
M 6x70	SM0TR306070 Z	5902134717975	25	
M 8x90	SM0TR308090 Z	5902134717982	25	
M 10x110	SM0TR310110 Z	5902134717999	10	
M 12x140	SM0TR312140 Z	5902134718002	10	

## WINDOW BOX PACKING

size	pgb code	EAN13		
M 6x70	SM0TRE06070 Z	5902134719443	15	
M 8x90	SM0TRE08090 Z	5902134719450	10	
M 10x110	SM0TRE10110 Z	5902134719467	5	
M 12x140	SM0TRE12140 Z	5902134719474	5	

Heavy duty  
fixings

# SMART CHEMICAL ANCHORS

## POLYESTER

STYRENE FREE

## VINYLESTER

STYRENE FREE



**S-IRP**  
280 & 380ml












**S-IRV**  
280 & 380ml



### Advantages at a glance

- ✓ 280ml with peeler system; 380ml with coaxial cartridge.
- ✓ Styrene free 2-component resin.
- ✓ The S-IRV can be used in wet environments and has high chemical and temperature resistance.
- ✓ The S-IRP is suitable for all general fixing into masonry and concrete.
- ✓ All accessories also available!



Chemical resin polyester S-IRP	SMCH1 P		..... 128
Chemical resin vinylester S-IRV	SMCH1 V		..... 130
Accessories for drill hole cleaning : blow-out pump	SMCH2		..... 132
Accessories for drill hole cleaning : wire brush	SMCH3		..... 132
Accessories for cartridges : round mixer nozzle	SMCH4		..... 132
Accessories for cartridges : extension for mixer nozzle	SMCH4		..... 132
Accessories for cartridges : dispenser	SMCH5		..... 132
Accessories for cartridges : perforated sleeves	SMCH6		..... 132
Threaded rod for chemical anchors	SM0AS		..... 132



# SMCH1 P

## CHEMICAL RESIN POLYESTER S-IRP



### TYPE S-IRP



### BEST SUITABLE FOR



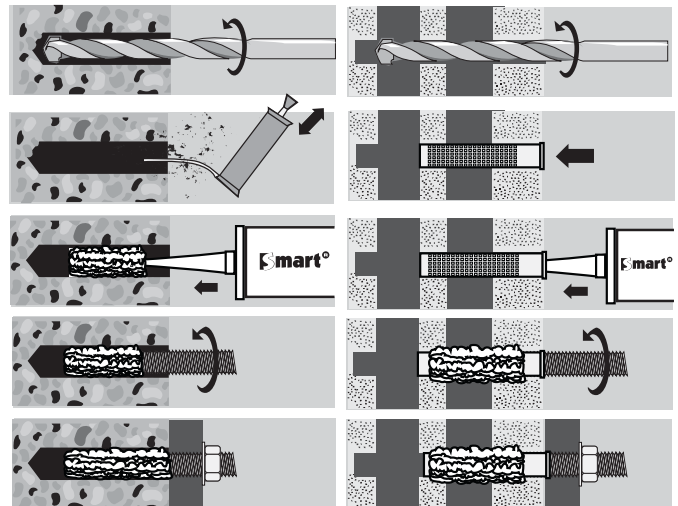
### ALSO SUITABLE FOR



### INSTALLATION SCHEME

#### Solid materials

#### Hollow materials



### DESCRIPTION

- Versatile injection mortar for use in concrete and masonry.

### ADVANTAGES

- 2-component injection chemical anchor based on polyester resin without styrene.
- Adapted to horizontal and vertical installations.
- Fast curing and low odor for internal use.

### APPLICATIONS

- Especially suitable for hollow materials and medium loads. Threaded rod fixation for non-structural applications.

### FUNCTIONING

- Read the installation instructions carefully.
- Resin and hardener are stored in two separate chambers and are not mixed and activated until extrusion through the static mixer.
- Partially used cartridges can be reused, simply by changing the static mixer.





Chemical resin polyester S-IRP

### CARTON BOX PACKING



size	pgb code	EAN13	
300	SMCH13300 P	5902134718903	1
410	SMCH13410 P	5902134718910	1



## WORKING AND HARDENING TIMES

Temp.	0°C	5°C	10°C	15°C	20°C	25°C	30°C	35°C
 working time	25'	15'	12'	8'	6'	4'	3'	2'
 loading time	180'	120'	90'	60'	45'	30'	20'	10'

## PERFORMANCE DATA FOR RODS INTO HOLLOW STRUCTURES

sleeve d <sub>sl</sub>	rod cl. 5.8	d <sub>0</sub> [mm]	h <sub>1</sub> [mm]	h <sub>ef</sub> [mm]	T <sub>inst</sub> [Nm]	f <sub>cm</sub> 4,5 MPa 		f <sub>cm</sub> 6,0 MPa 	
						N <sub>sk</sub>	V <sub>sk</sub>	N <sub>sk</sub>	V <sub>sk</sub>
16x85	M 8	16	90	85	4	0,4kN	1,1kN	-	-
16x85	M10	16	90	85	4	0,4kN	1,1kN	-	-
16x85	M12	16	90	85	4	0,4kN	1,1kN	-	-
16x130	M 8	16	135	130	4	-	-	0,7kN	1,5kN
16x130	M 10	16	135	130	4	-	-	0,7kN	1,5kN
16x130	M 12	16	135	130	4	-	-	0,7kN	1,5kN

## PERFORMANCE DATA FOR RODS INTO CONCRETE C20/25

rod cl. 5.8	d <sub>0</sub> [mm]	h <sub>ef</sub> [mm]	T <sub>inst</sub> [Nm]	C <sub>cr</sub> [mm]	S <sub>cr</sub> [mm]	<sup>1)</sup> N <sub>sk</sub> [kN]	V <sub>sk</sub> [kN]
M 8	10	80	10	80	160	4,9	5,8
M10	12	90	20	90	180	6,8	9,2
M12	14	110	40	110	220	11,5	13,4
M 16	18	125	60	125	250	16,0	24,9
M20	24	170	100	170	340	27,1	39,2

<sup>1)</sup> Load figures include the resistances' safety factor of  $\gamma_F = 3,0$ .

# SMCH1 V

## CHEMICAL RESIN VINYLESTER S-IRV



### TYPE S-IRV



280ml  
(peeler cartridge)

380ml  
(coaxial cartridge)



### SUITABLE FOR



### DESCRIPTION

- Solid injection mortar for use in concrete.

### ADVANTAGES

- 2-component injection chemical anchor based on vinyl ester resin without styrene.
- Dynamic and long term load resistance.
- Usable in wet environments and high chemical and temperature resistance. Low odor for internal use.

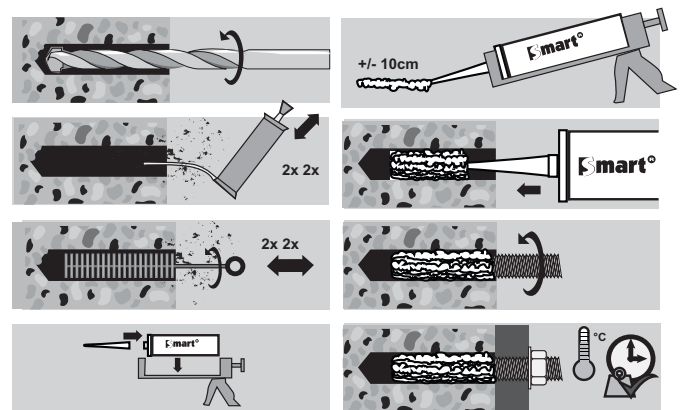
### APPLICATIONS

- Especially suitable for high load values in concrete applications. Recommended for threaded rod and rebar, either for fixation of structural components.

### FUNCTIONING

- Read the installation instructions carefully.
- Resin and hardener are stored in two separate chambers and are not mixed and activated until extrusion through the static mixer.
- Partially used cartridges can be reused, simply by changing the static mixer.

### INSTALLATION SCHEME





Chemical resin vinyl ester S-IRV



### CARTON BOX PACKING

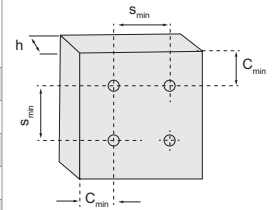
ml	pgb code	EAN13		
280	SMCH13300 VE+	5902134718941	1	
380	SMCH13410 VE+	5902134718965	1	

## WORKING AND HARDENING TIMES

Temp.	0°C	5°C	10°C	15°C	20°C	25°C	30°C	35°C
 working time	45'	30'	20'	12'	7'	4'	3'	2'
 loading time	210'	150'	90'	60'	45'	30'	30'	20'

## PERFORMANCE DATA FOR STANDARD APPLICATIONS OF RODS INTO CONCRETE C20/25

rod	$d_0$ [mm]	$h_{ef}$ [mm]	$T_{inst}$ [Nm]	$C_{cr}$ [mm]	$S_{cr}$ [mm]	${}^1N_{sk}$ [kN]	$V_{sk}$ [kN]
* M 8	10	80	10	80	160	11,6	8,1
M10	12	90	20	90	180	18,4	12,9
M12	14	110	40	110	220	25,3	18,7
M 16	18	125	80	125	250	30,5	34,9
* M20	24	175	120	170	340	44,7	54,4



<sup>1)</sup> Load figures include the resistances' safety factor of  $\gamma_F = 3,0$ .

\* Do not belong to ETA.

## PERFORMANCE DATA FOR REBAR INTO CONCRETE C20/25 (ACCORDING TO EUROCODE 2)

Rod $d_s$	$d_0$	$h_{ef}$ (embedment depth) $F_s$ (tension load)	Admissible load $F_s$ in C20/25 concrete <sup>1)</sup> High adherence 500MPa steel rebar					
[mm]	[mm]		[mm] [kN]	[mm] [kN]	[mm] [kN]	[mm] [kN]	[mm] [kN]	<sup>2)</sup> [mm] <sup>2)</sup> [kN]
8	10	$l_v$ $F_{s(C20/25)}$	80 6,8	120 10,2	160 13,6	200 17,0	240 20,4	258 21,9
10	12	$l_v$ $F_{s(C20/25)}$	100 10,2	150 15,3	200 20,4	250 25,4	300 30,5	336 34,2
12	16	$l_v$ $F_{s(C20/25)}$	120 16,3	180 24,4	240 32,6	300 40,7	360 48,9	362 49,2
14	18	$l_v$ $F_{s(C20/25)}$	140 21,4	210 32,1	280 42,8	350 53,4	420 64,1	438 66,9
16	20	$l_v$ $F_{s(C20/25)}$	160 27,1	240 40,7	320 54,3	400 67,9	480 81,4	515 87,4
18	22	$l_v$ $F_{s(C20/25)}$	180 33,6	270 50,4	360 67,2	450 84,0	540 100,8	593 110,6
20	25	$l_v$ $F_{s(C20/25)}$	200 42,4	300 63,6	400 84,8	500 106,0	600 127,2	644 136,6
25	32	$l_v$ $F_{s(C20/25)}$	250 67,9	375 101,8	500 135,7	625 169,6	750 203,6	786 213,4
28	35	$l_v$ $F_{s(C20/25)}$	280 83,1	420 124,7	560 166,3	700 207,8	840 249,4	902 267,7
32	40	$l_v$ $F_{s(C20/25)}$	320 108,6	480 162,9	640 217,1	800 271,4	960 325,7	1031 349,7
36	45	$l_v$ $F_{s(C20/25)}$	360 131,4	540 197,2	720 262,9	900 328,6	1080 394,3	1212 442,6
40	55	$l_v$ $F_{s(C20/25)}$	400 170,4	600 255,6	800 340,8	1000 426,0	1200 511,2	1283 546,4

<sup>1)</sup> Maximum loads according to steel strength for 500MPa reinforcing bars.

<sup>2)</sup> Method of calculation:  $F_s$  (kN) =  $d_0 \cdot l_v \cdot \psi_c / 100$

$d_0$  and  $l_v$  in mm, spacing min. 10  $d_s$ , edge distance min. 5  $d_s$



Accessories for drill hole cleaning : blow-out pump

size	pgb code	EAN13		
230	SMCH2301 N	5902134722689	1	



Accessories for cartridges : dispenser

size	pgb code	EAN13		
150-280ml	SMCH53150300S	5902134722733	1	
410ml	SMCH53400 S	5902134722740	1	



Accessories for drill hole cleaning : wire brush

size	pgb code	EAN13		
13	SMCH3313 S	5902134722696	1	
15	SMCH3315 S	5902134722702	1	
19	SMCH3319 S	5902134722719	1	



Accessories for cartridges : perforated sleeves

### CARTON BOX PACKING

size	pgb code	EAN13		
16	SMCH6316085 N	5902134722757	20	
16	SMCH6316130 N	5902134722764	20	
20	SMCH6320085 N	5902134722771	20	



Accessories for cartridges : round mixer nozzle

size	pgb code	EAN13		
1	SMCH4301 N	5902134722726	10	



Threaded rod for chemical anchors

### CARTON BOX PACKING

size	pgb code	EAN13		
M 8x110	SM0AS308 Z	5902134723716	10	
M 10x130	SM0AS310 Z	5902134723723	10	
M 12x160	SM0AS312 Z	5902134723730	10	
M 16x190	SM0AS316 Z	5902134723747	10	
M 20x260	SM0AS320 Z	5902134723754	6	
M 24x300	SM0AS324 Z	5902134723761	6	















Upon request also available in stainless steel A4 and hot dip galvanised.



Accessories for cartridges : extension for mixer nozzle

size	pgb code	EAN13		
7	SMCH4302 N	5902134723693	10	
8	SMCH4303 N	5902134723709	10	

## CHEMICAL RESINS

	POLYESTER	VINYLESTER
		
Styrene free		
Suitable temperatures		
Base materials		
Fixings in wet conditions	—	
Curing time at room temperature	45 min.	45 min.
Mechanical resistance		
Chemical resistance	—	
Technical approvals		








# SMART INSULATION PLUG type 60K

## Advantages at a glance

- ✔ The plastic nail reduces te heat transmission.
- ✔ Special disc profile allows optimum adhesion of plaster.
- ✔ Low anchorage depth for quick installation.
- ✔ Available in diameter 8mm (SM60E) and diameter 10mm (SM60K).
- ✔ Lengths up to 260mm.





Insulation fixing with nail - ETA approved	SM60K		..... 136
Insulation fixing with nail - ETA approved	SM60E		.....
Insulation fixing with synthetic nail	SM50N		..... 138
Insulation fixing with synthetic nail	SM90N		..... 140
Insulation fixing 8mm with wall tie	SMI08		..... 142
Insulation fixing 10mm with wall tie	SMI10		..... 144
Insulation washers	SMOLP		..... 146



Insulation fixings

# SM60K

INSULATION FIXING WITH NAIL - ETA APPROVED



**TYPE 60K**



**TYPE 60E**



**BEST SUITABLE FOR**



**ALSO SUITABLE FOR**



**DESCRIPTION**

- Insulation plug with 60mm disc and short expansion segment.

**ADVANTAGES**

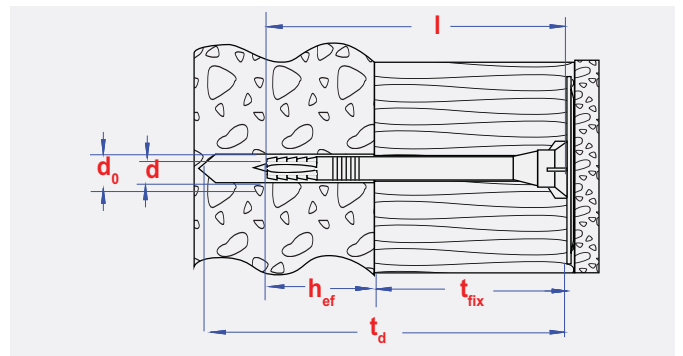
- The plastic nail reduces the heat transmission. The version with steel nail has a cover cap to reduce the heat transmission and to prevent marks on the plaster surface.
- Simple hammer-in for quick installation. The special disc profile allows optimum adhesion of plaster.
- Low anchorage depth reduces the drilling depth.

**APPLICATIONS**

- For the fixing of pressure-resistant insulation materials such as: polystyrene boards, ...

**FUNCTIONING**

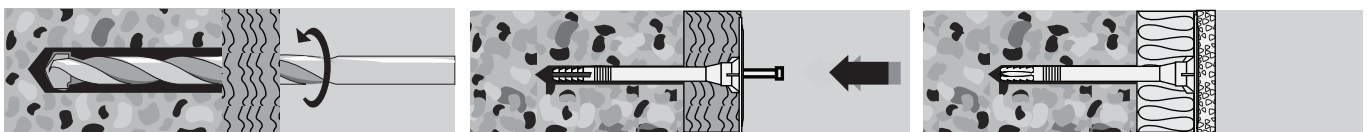
- Push-through installation.
- The plug will expand in when the nail is hammered-in.
- Non-bearing layers, such as adhesive and/or old render and plaster, must be included in the anchor's useful length.



**TECHNICAL DATA**

d [mm]	l [mm]	d <sub>0</sub> [mm]	h <sub>1</sub> [mm]	h <sub>ef</sub> [mm]	t <sub>fix</sub> [mm]
10	70	10	60	50	20
10	90	10	60	50	40
10	100	10	60	50	50
10	120	10	60	50	70
10	140	10	60	50	90
10	160	10	60	50	110
10	180	10	60	50	130
10	200	10	60	50	150
10	220	10	60	50	170
10	260	10	60	50	210

**INSTALLATION SCHEME**





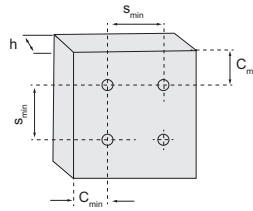
### TENSION LOADS <sup>1)</sup>

d [mm]	Standard	Bulk density [kg/dm <sup>3</sup> ]	Min. compressive strength [N/mm <sup>2</sup> ]	N <sub>sk</sub> [kN]
Concrete C12/15	EN 206-1			0,25
Concrete C16/20 + C50/60	EN 206-1			0,38
Clay bricks	EN 771-1	≥ 1,46	33,9	0,45

<sup>1)</sup> Load figures include the resistances' partial safety factors as per approvals and a partial safety factor on the action of  $\gamma F = 2,0$ .

### ANCHOR SPACING

Min. base material thickness	h [mm]	100
Min. spacing	S <sub>min</sub> [mm]	100
Min. edge distance	C <sub>min</sub> [mm]	100



Insulation fixing with nail - ETA approved



Insulation fixing with nail - ETA approved

### CARTON BOX PACKING

size	pgb code	EAN13		
10x70	SM60K310070 N	5902134722788	250	
10x90	SM60K310090 N	5902134722795	200	
10x100	SM60K310100 N	5902134722801	200	
10x120	SM60K310120 N	5902134722818	150	
10x140	SM60K310140 N	5902134722825	250	
10x160	SM60K310160 N	5902134722832	200	
10x180	SM60K310180 N	5902134722849	200	
10x200	SM60K310200 N	5902134722856	150	
10x220	SM60K310220 N	5902134722863	100	
10x260	SM60K310260 N	5902134722870	100	

### CARTON BOX PACKING

size	pgb code	EAN13		
8x90	SM60E308090 NZN	5902134722450	250	
8x110	SM60E308110 NZN	5902134722467	250	
8x130	SM60E308130 NZN	5902134722474	200	
8x150	SM60E308150 NZN	5902134722481	150	
8x170	SM60E308170 NZN	5902134722498	150	
8x190	SM60E308190 NZN	5902134722504	100	
8x210	SM60E308210 NZN	5902134722511	100	
8x240	SM60E308240 NZN	5902134722528	100	

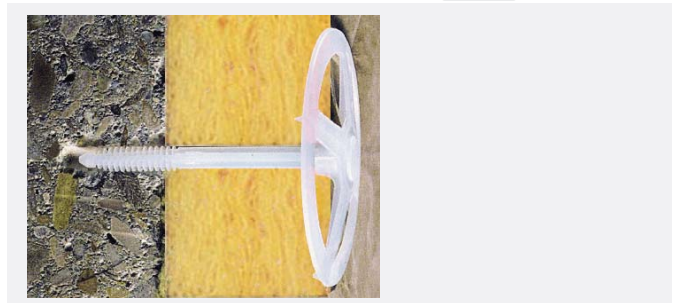
Insulation fixings

# SM50N

## INSULATION FIXING WITH SYNTHETIC NAIL



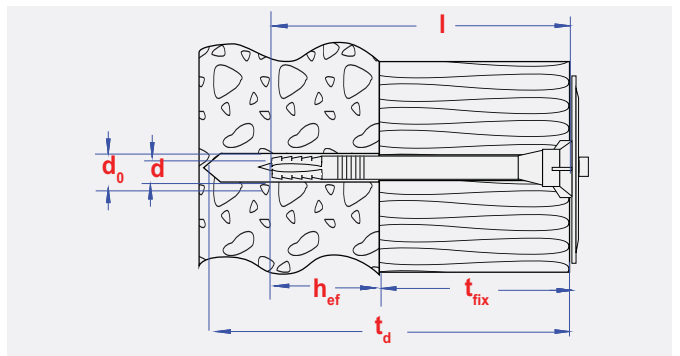
### TYPE 50N



#### BEST SUITABLE FOR



#### ALSO SUITABLE FOR



### DESCRIPTION

- Insulation plug with 50mm disc.

### ADVANTAGES

- The glass-fibre-reinforced plastic nail reduces the heat transmission.
- Simple hammer-in for quick installation.
- Low anchorage depth reduces the drilling depth.

### TECHNICAL DATA

d	l	d <sub>0</sub>	h <sub>1</sub>	h <sub>ef</sub>	t <sub>fix</sub>
[mm]	[mm]	[mm]	[mm]	[mm]	[mm]
10	70	10	40	30	40
10	90	10	40	30	60
10	110	10	40	30	80
10	130	10	40	30	100
10	150	10	40	30	120

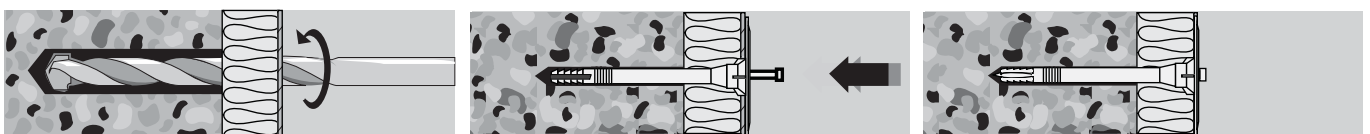
### APPLICATIONS

- For the fixing of pressure-resistant insulation materials such as: polystyrene boards, ...

### FUNCTIONING

- Push-through installation.
- The plug will expand in when the nail is hammered-in.
- Non-bearing layers, such as adhesive and/or old render and plaster, must be included in the anchor's useful length.


### INSTALLATION SCHEME





Insulation fixing with synthetic nail

**CARTON BOX PACKING**

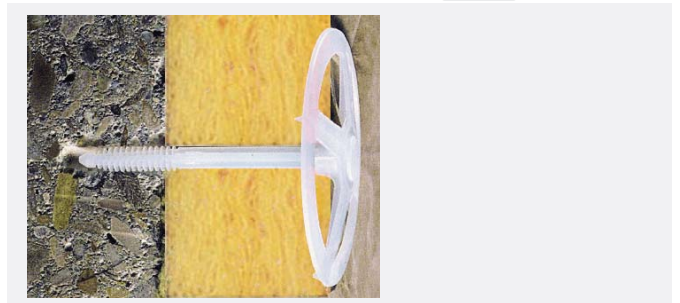
size	pgb code	EAN13		
10x70	SM50N310070 N	5902134712239	250	
10x90	SM50N310090 N	5902134712246	250	
10x110	SM50N310110 N	5902134712253	250	
10x130	SM50N310130 N	5902134712260	250	
10x150	SM50N310150 N	5902134712277	250	

# SM90N

## INSULATION FIXING WITH SYNTHETIC NAIL



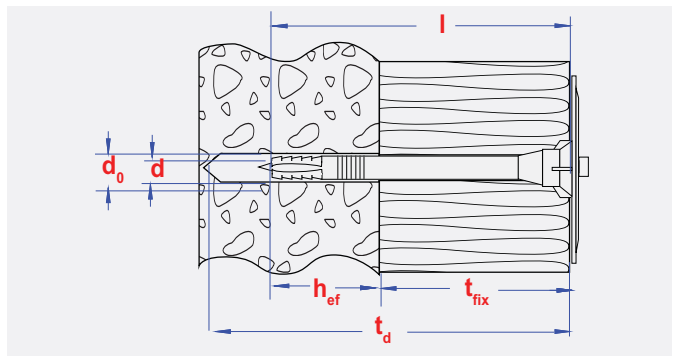
### TYPE 90N



#### BEST SUITABLE FOR



#### ALSO SUITABLE FOR



### DESCRIPTION

- Insulation plug with 90mm disc suitable for all conventional insulation boards.

### ADVANTAGES

- The glass-fibre-reinforced plastic nail reduces the heat transmission.
- Simple hammer-in for quick installation.
- Low anchorage depth reduces the drilling depth.

### TECHNICAL DATA

d	l	d <sub>0</sub>	h <sub>1</sub>	h <sub>ef</sub>	t <sub>fix</sub>
[mm]	[mm]	[mm]	[mm]	[mm]	[mm]
10	70	10	40	30	40
10	90	10	40	30	60
10	110	10	40	30	80
10	130	10	40	30	100
10	150	10	40	30	120
10	180	10	40	30	150
10	210	10	40	30	180

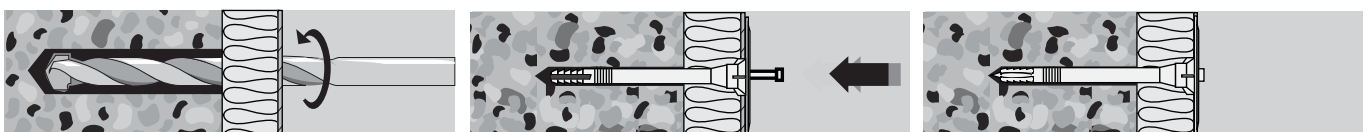
### APPLICATIONS

- For the fixing of soft and pressure-resistant insulation materials such as mineral wool, glass wool, polystyrene, PU panels, ...

### FUNCTIONING

- Push-through installation.
- The plug will expand in when the nail is hammered-in.
- Non-bearing layers, such as adhesive and/or old render and plaster, must be included in the anchor's useful length.


### INSTALLATION SCHEME





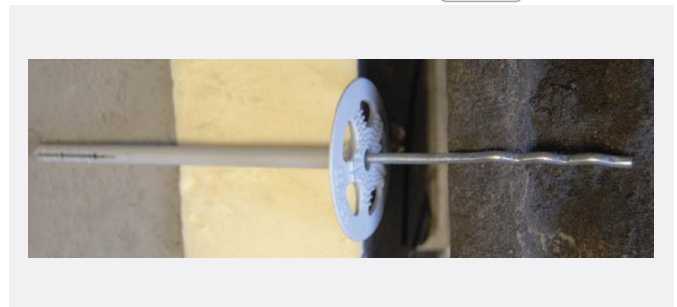
Insulation fixing with synthetic nail

**CARTON BOX PACKING**

size	pgb code	EAN13		
10x70	SM90N310070 N	5902134710167	250	
10x90	SM90N310090 N	5902134710174	250	
10x110	SM90N310110 N	5902134710181	250	
10x130	SM90N310130 N	5902134710198	250	
10x150	SM90N310150 N	5902134710204	150	
10x180	SM90N310180 N	5902134710211	150	
10x210	SM90N310210 N	5902134710228	100	

# SMI08

## INSULATION FIXING 8MM WITH WALL TIE



### BEST SUITABLE FOR



### ALSO SUITABLE FOR

### DESCRIPTION

- The combined fixing for cavity wall anchors and insulation panels. With 60mm disc.

### ADVANTAGES

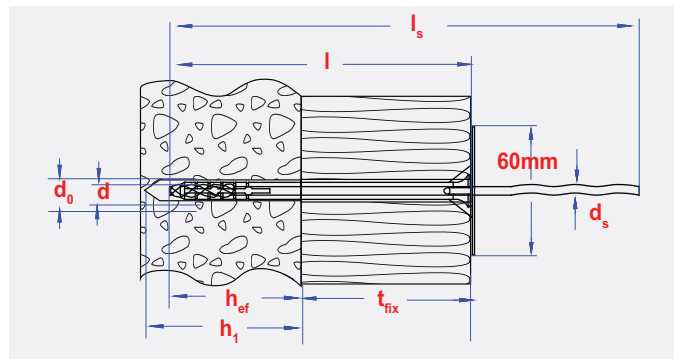
- Anchor designed to fix the cavity wall and insulation material with one product.
- The combination of the wall tie with a plug reduces the heat transmission and risk for thermal bridges.
- The wall ties can be placed when laying the bricks: no risks of injuries due to protruding metal pins.

### APPLICATIONS

- For the fixing of the cavity wall anchor together with the insulation board.

### FUNCTIONING

- Push-through installation.
- The plug will expand in when the wall tie is hammered-in.
- The plug length is determined by the insulation panel thickness + minimum anchorage depth.



### TECHNICAL DATA

d	l	d <sub>0</sub>	h <sub>1</sub>	d <sub>s</sub>	l <sub>s</sub>	h <sub>ef</sub>	t <sub>fix</sub>	S
[mm]	[mm]	[mm]	[mm]	[mm]	[mm]	[mm]	[mm]	[mm]
8	115	8	60	4	220	50	65	
8	135	8	60	4	220	50	85	
8	135	8	60	4	250	50	85	
8	155	8	60	4	250	50	110	
8	155	8	60	4	300	50	110	
8	175	8	60	4	300	50	130	


### INSTALLATION SCHEME





Insulation fixing 8mm with wall tie

**CARTON BOX PACKING**

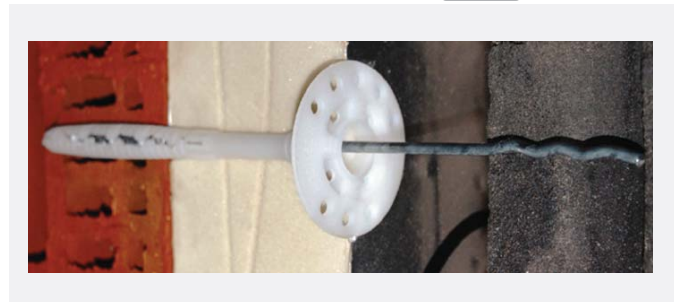
size	pgb code	EAN13		
8x115	SMI083115220NZN	5902134802411	250	
8x135	SMI083135220NZN	5902134802428	250	
8x135	SMI083135250NZN	5902134802435	250	
8x155	SMI083155250NZN	5902134802442	250	
8x155	SMI083155300NZN	5902134802459	250	
8x175	SMI083175300NZN	5902134802466	250	

# SMI10

## INSULATION FIXING 10MM WITH WALL TIE



### TYPE I10



#### BEST SUITABLE FOR

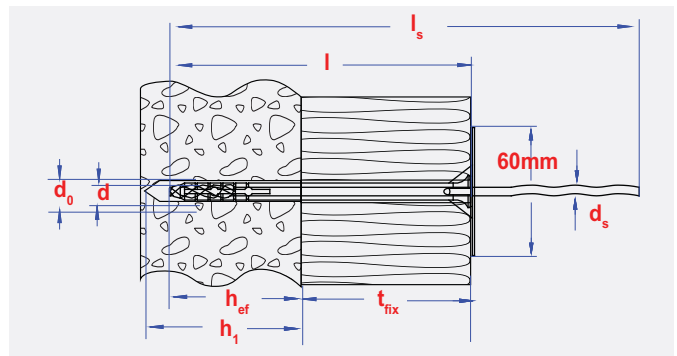


#### ALSO SUITABLE FOR



### DESCRIPTION

- The combined fixing for cavity wall anchors and insulation panels. With 60mm disc.



### ADVANTAGES

- Anchor designed to fix the cavity wall and insulation material with one product.
- The combination of the wall tie with a plug reduces the heat transmission and risk for thermal bridges.
- The wall ties can be placed when laying the bricks: no risks of injuries due to protruding metal pins.

### TECHNICAL DATA

d	l	d <sub>0</sub>	h <sub>1</sub>	d <sub>s</sub>	l <sub>s</sub>	h <sub>ef</sub>	t <sub>fix</sub>
[mm]	[mm]	[mm]	[mm]	[mm]	[mm]	[mm]	[mm]
10	120	9,5	70	4	220	60	60
10	140	9,5	70	4	250	60	80
10	160	9,5	70	4	250	60	100
10	160	9,5	70	4	300	60	100
10	180	9,5	70	4	300	60	120
10	200	9,5	70	4	300	60	140
10	220	9,5	70	4	320	60	160
10	260	9,5	70	4	360	60	200
10	300	9,5	70	4	400	60	240

### APPLICATIONS

- For the fixing of the cavity wall anchor together with the insulation board.

### FUNCTIONING

- Push-through installation.
- The plug will expand in when the wall tie is hammered-in.
- The plug length is determined by the insulation panel thickness + minimum anchorage depth.

### INSTALLATION SCHEME








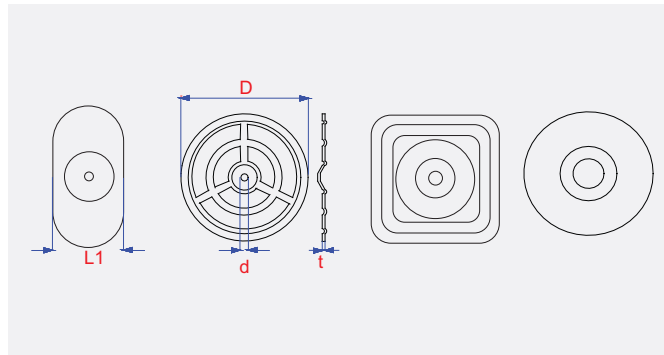
Insulation fixing 10mm with wall tie

**CARTON BOX PACKING**

size	pgb code	EAN13		
10x120	SMI103120220NZN	5902134802480	250	
10x140	SMI103140250NZN	5902134802497	250	
10x160	SMI103160250NZN	5902134802503	250	
10x160	SMI103160300NZN	5902134802510	250	
10x180	SMI103180300NZN	5902134802527	250	
10x200	SMI103200300NZN	5902134802534	250	
10x220	SMI103220320NZN	5902134802541	250	
10x260	SMI103260360NZN	5902134802558	200	
10x300	SMI103300400NZN	5902134802565	200	

# SMOLP

## INSULATION WASHERS



### DESCRIPTION

- Insulation discs for use with screws and express nails.

### ADVANTAGES

- Various disc shapes and diameters.

### APPLICATIONS

- For use with dense insulation materials (such as polystyrene, polyurethane etc).

### FUNCTIONING

- Push-through installation.
- The screw length = panel thickness + minimum installation depth.

### TECHNICAL DATA

d	D	t
[mm]	[mm]	[mm]
6	64	0,5



### TECHNICAL DATA

d	D	t	L <sub>1</sub>
[mm]	[mm]	[mm]	[mm]
5,5	82	1	40



### TECHNICAL DATA

d	D	t
[mm]	[mm]	[mm]
5	70	0,7
8	70	0,7
9	70	0,8



### TECHNICAL DATA

d	D	t
[mm]	[mm]	[mm]
6	50	4



### TECHNICAL DATA

d	D	t
[mm]	[mm]	[mm]
3,6	65	
3,6	65	



Insulation fixings



Insulation washers

**CARTON BOX PACKING**

size	pgb code	EAN13		
Square	SMOLP306064 Z	5902134713762	100	



Insulation washers

**CARTON BOX PACKING**

size	pgb code	EAN13		
Round	SMOLP306050 N	5902134712420	250	



Insulation washers

**CARTON BOX PACKING**

size	pgb code	EAN13		
Oval	SMOLP305582 Z	5902134710242	100	



Insulation washers

**CARTON BOX PACKING**

size	pgb code	EAN13		
Green	SMOLP3UNIGRON	5902134713779	250	
Red	SMOLP3UNIROON	5902134713755	250	



Insulation washers

**CARTON BOX PACKING**

size	pgb code	EAN13		
Round	SMOLP305070 Z	5902134710235	100	
Round	SMOLP308070 Z	5902134713199	100	
Round	SMOLP309070 Z	5902134713748	100	

# DRILLS & BITS



**METAL**



**WOOD**



**MASONRY  
CONCRETE**



**CERAMIC  
GLASS**











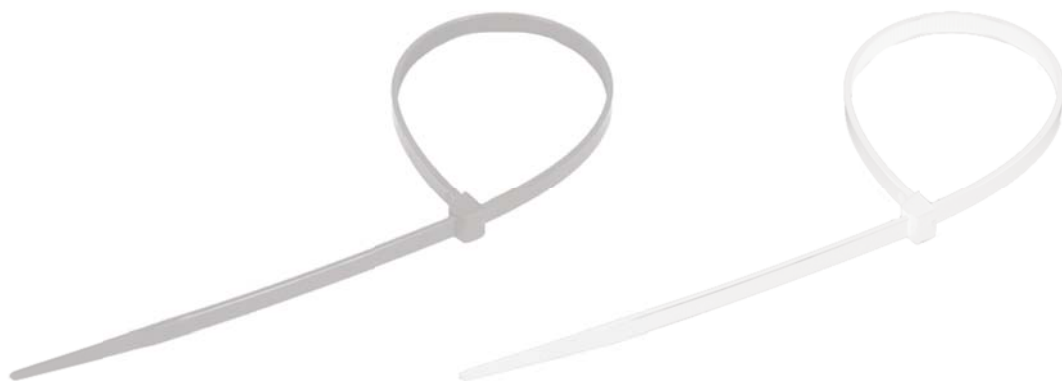
**SDS**

**SHARPWARE**  <sup>TM</sup>  
the cutting edge

[www.pgb-europe.com](http://www.pgb-europe.com)



Fixing pin	SMSLP		..... 150
Nail clips	SMKCR		..... 152
Cable tie	SMAND		..... 153
Self-adhesive base for cable ties	SMPZV		..... 155
2-way mounting base	SMSZR		..... 155
Plug for cable tie	SMPLG		..... 155
Plug for mounting base	SMSPL		..... 155
Velcro strip "back to back"	SMVEL		..... 155
Setting tools for cable ties	SMTNG		..... 155
Clip fixing twin type	SMPCD		..... 156
Clip fixing single type	SMPCE		..... 157



# SMSLP

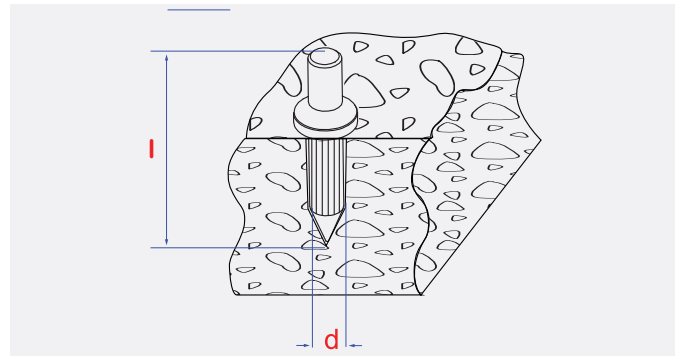
## FIXING PIN



### TYPE SLP



### SUITABLE FOR



### DESCRIPTION

- Special hardened nail for use in concrete.

### ADVANTAGES

- Simple and fast installation with a hammer. No predrilling required.
- Use with setting tool for safe and secure installation.
- Grooved shaft. Version with or without metric thread end.

### APPLICATIONS

- For the fixing of conduit clips, perforated band, pipe clamps, ...

### FUNCTIONING

- Direct hammer-in installation.

### TECHNICAL DATA

d	l
[mm]	[mm]
4	18

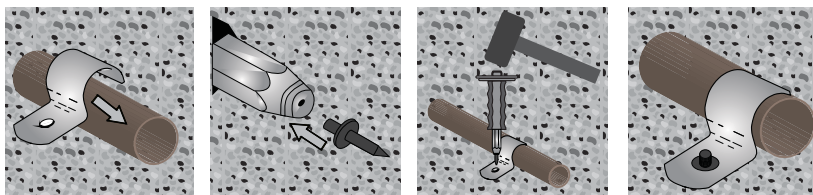


### TECHNICAL DATA

d	l
[mm]	[mm]
6	18
6	25




### INSTALLATION SCHEME





Fixing pin


**CARTON BOX PACKING**

size	pgb code	EAN13		
4x18	SMSLP340018 SS	5902134712871	200	



Fixing pin


**CARTON BOX PACKING**

size	pgb code	EAN13		
	SMSLP300004 SS	5902134801742	1	
	SMSLP300006 SS	5902134719047	1	



Fixing pin

**CARTON BOX PACKING**

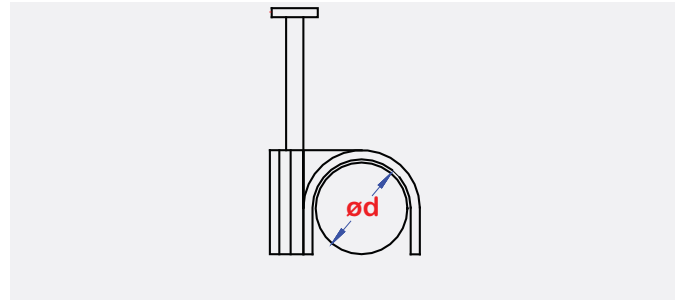
size	pgb code	EAN13		
6x18	SMSLP360018 ZS	5410439350433	200	
6x25	SMSLP360025 ZS	5902134719054	200	

# SMKCR

## NAIL CLIPS



### TYPE KCR



#### BEST SUITABLE FOR




#### ALSO SUITABLE FOR



Nail clips

#### CARTON BOX PACKING

d	pgb code	EAN13		
4	SMKCR304 N	5902134801841	100	
5	SMKCR305 N	5902134801858	100	
6	SMKCR306 N	5902134801865	100	
8	SMKCR308 N	5902134801889	100	
10	SMKCR310 N	5902134801896	100	
12	SMKCR312 N	5902134801902	100	

#### DESCRIPTION

- The quick fixing for electric cables.

#### ADVANTAGES

- Pre-assembled for quick and easy use.

#### APPLICATIONS

- For the fixing of electric cables.

#### FUNCTIONING

- Direct hammer-in installation.
- Position the nail clip with the laid cable. Hammer in the pre-assembled nail with a hammer.

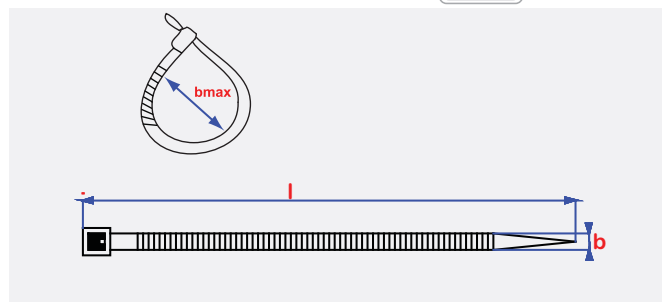


# SMAND

## CABLE TIE



### TYPE AND



### DESCRIPTION

- For the bundling of cables and pipes.

### ADVANTAGES

- Long-lasting nylon PA 6.6.
- The black version is made from UV-stabilised material and therefore suited for outdoor use.
- According to UL 94 class 2. Temperature range -40°C to +85°C.

### APPLICATIONS

- For the bundling of electric cables, ...

### FUNCTIONING

- 
- Pull the band through the head of the cable tie.
- 

### TECHNICAL DATA

b	l	b <sub>max</sub>	🏷️	b	l	b <sub>max</sub>	🏷️
[mm]	[mm]	[mm]	[kg/max]	[mm]	[mm]	[mm]	[kg/max]
2,5	100	22	8	2,5	100	22	8
2,5	200	53	8	2,5	200	53	8
3,6	140	33	18	3,6	140	33	18
3,6	200	53	18	3,6	200	53	18
3,6	302	76	18	3,6	302	76	18
4,8	200	50	22	4,8	200	50	22
4,8	302	76	22	4,8	302	76	22
4,8	370	102	22	4,8	370	102	22
4,8	430	110	22	4,8	430	110	22
7,6	300	76	54	7,6	300	76	54
7,6	370	102	54	7,6	370	102	54
7,6	540	140	54	7,6	540	140	54
				9	710	190	79

### TECHNICAL DATA



b	l	b <sub>max</sub>	🏷️	b	l	🏷️
[mm]	[mm]	[mm]	[kg/max]	[mm]	[mm]	[kg/max]
9	180	45	55	4,6	360	45
9	260	62	55	4,6	360	45
9	360	93	55	7,9	360	114
9	510	140	55	7,9	360	114

### TECHNICAL DATA

b	l	b <sub>max</sub>	🏷️	colour
[mm]	[mm]	[mm]	[kg/max]	
4,8	200	50	22	Brown
4,8	200	50	22	Blue
4,8	200	50	22	Green
4,8	200	50	22	Grey
4,8	200	50	22	Orange
4,8	200	50	22	Purple
4,8	200	50	22	Red
4,8	200	50	22	Yellow

Electrical fixings



Cable tie



Cable tie



size	pgb code	EAN13		
2,5x100	SMAND,25100 NW	5902134803920	1000	
2,5x200	SMAND,25200 NW	5902134803944	1000	
3,6x140	SMAND,36140 NW	5902134712505	100	
3,6x200	SMAND,36200 NW	5902134804002	1000	
3,6x302	SMAND,36302 NW	5902134804026	1000	
4,8x200	SMAND,48200 NW	5902134712529	100	
4,8x302	SMAND,48302 NW	5902134804163	1000	
4,8x370	SMAND,48370 NW	5902134804194	1000	
4,8x430	SMAND,48430 NW	5902134804217	1000	
7,6x300	SMAND,76300 NW	5902134804231	600	
7,6x370	SMAND,76370 NW	5902134804255	600	
7,6x540	SMAND,76540 NW	5902134722375	600	

size	pgb code	EAN13		
2,5x100	SMAND,25100 NZ	5902134803937	1000	
2,5x200	SMAND,25200 NZ	5902134802053	100	
3,6x140	SMAND,36140 NZ	5902134803999	1000	
3,6x200	SMAND,36200 NZ	5902134804019	1000	
3,6x302	SMAND,36302 NZ	5902134712574	100	
4,8x200	SMAND,48200 NZ	5902134804156	1000	
4,8x302	SMAND,48302 NZ	5902134804170	1000	
4,8x370	SMAND,48370 NZ	5902134804200	1000	
4,8x430	SMAND,48430 NZ	5902134804224	1000	
7,6x300	SMAND,76300 NZ	5902134804248	600	
7,6x370	SMAND,76370 NZ	5902134804262	600	
7,6x540	SMAND,76540 NZ	5902134722382	600	
9x710	SMAND,90710 NZ	5902134713816	100	



Cable tie



Cable tie



size	pgb code	EAN13		
4,8x200	SMAND,48200 NB	5902134804064	1000	
4,8x200	SMAND,48200 NBL	5902134803432	100	
4,8x200	SMAND,48200 NG	5902134804088	1000	
4,8x200	SMAND,48200 NGR	5902134804095	1000	
4,8x200	SMAND,48200 NO	5902134804101	1000	
4,8x200	SMAND,48200 NPA	5902134804118	1000	
4,8x200	SMAND,48200 NR	5902134803524	100	
4,8x200	SMAND,48200 NY	5902134804149	1000	

size	pgb code	EAN13		
9x180	SMAND,90180 P12	5902134803357	100	
9x260	SMAND,90260 P12	5902134803364	100	
9x360	SMAND,90360 P12	5902134803371	100	
9x510	SMAND,90510 P12	5902134803388	100	




Cable tie



size	pgb code	EAN13		
4,6x360	SMAND,46200 A2	5902134803395	100	
4,6x360	SMAND,46360 A2	5902134803401	100	
7,9x360	SMAND,79360 A2	5902134803418	100	
7,9x360	SMAND,79520 A2	5902134803425	100	




Self-adhesive base for cable ties

size	pgb code	EAN13		
19x19	SMPZV,019019NW	5902134803609	100	
28x28	SMPZV,028028NW	5902134803623	100	



Self-adhesive base for cable ties

size	pgb code	EAN13		
19x19	SMPZV,019019NZ	5902134803616	100	
28x28	SMPZV,028028NZ	5902134803630	100	




Plug for cable tie

size	pgb code	EAN13		
10x43	SMPPLG,10043 NZ	5902134803548	100	




Plug for mounting base

size	pgb code	EAN13		
6x37	SMSPL,06037 NZ	5902134803555	100	




2-way mounting base

size	pgb code	EAN13		
15x7	SMSZR,151007NW	5902134803562	100	
26x10	SMSZR,231610NW	5902134803586	100	




Velcro strip "back to back"

size	pgb code	EAN13		
20x3	SMVEL,200003NZ	5902134803531	1	




Setting tools for cable ties (DIY type)

size	pgb code	EAN13		
up to 4,8mm	SMTNG,000002NST	5902134803647	1	




Setting tools for cable ties (PRO type)

size	pgb code	EAN13		
up to 4,8mm	SMTNG,000003NST	5902134803654	1	




Setting tools for cable ties (for A2 cable ties)

size	pgb code	EAN13		
up to 7,6mm	SMTNG,000004NST	5902134803661	1	



Setting tools for cable ties (for PA12 cable ties)

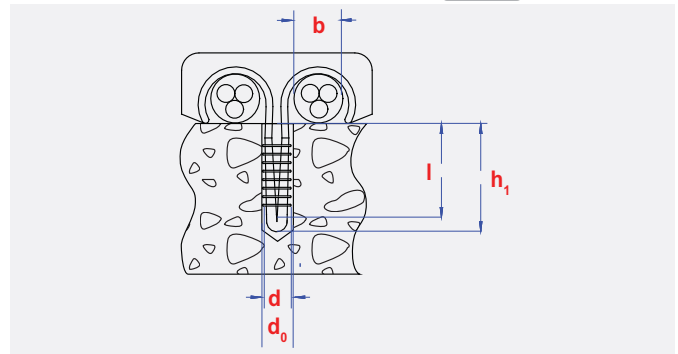
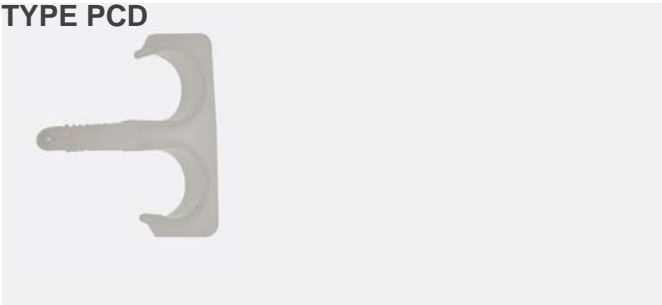
size	pgb code	EAN13		
9,0mm	SMTNG,000006NST	5902134803678	1	

# SMPCD

## CLIP FIXING TWIN TYPE

N  
nylon

### TYPE PCD



### SUITABLE FOR



### TECHNICAL DATA

b [mm]	l [mm]	d <sub>0</sub> [mm]	h <sub>1</sub> [mm]
16	19	6	25
20	25	6	30
24	28	6	35

### DESCRIPTION

- Clip fixing for pipes and cables.

### ADVANTAGES

- Plug and clamp in one anchor.
- Only 3 different sizes for a whole range of cable sizes.
- Small drill diameter and short drilling depth.

### APPLICATIONS

- For the fixing of cable bundles, individual electrical cables, plastic pipes, ...


### FUNCTIONING

- 
- The clip fixing is set into the drill hole without the need for any additional screws.
- The clip will lock itself in the drill hole.



Clip fixing twin type

### CARTON BOX PACKING

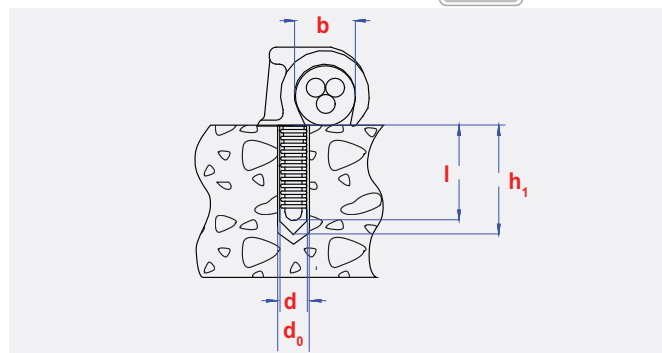
size	pgb code	EAN13		
16x19	SMPCD,1619 NW	5902134803685	50	
20x25	SMPCD,2025 NW	5902134803692	25	
24x28	SMPCD,2428 NW	5902134803708	25	

# SMPCE

## CLIP FIXING SINGLE TYPE

N  
nylon

### TYPE PCE



### SUITABLE FOR



### TECHNICAL DATA

b [mm]	l [mm]	d <sub>0</sub> [mm]	h <sub>1</sub> [mm]
16	19	6	25
20	25	6	30
24	28	6	35

### DESCRIPTION

- Clip fixing for pipes and cables.

### ADVANTAGES

- Plug and clamp in one anchor.
- Only 3 different sizes for a whole range of cable sizes.
- Small drill diameter and short drilling depth.

### APPLICATIONS

- For the fixing of cable bundles, individual electrical cables, plastic pipes, ...


### FUNCTIONING

- 
- The clip fixing is set into the drill hole without the need for any additional screws.
- The clip will lock itself in the drill hole.



Clip fixing single type

### CARTON BOX PACKING

size	pgb code	EAN13		
16x19	SMPCE,1619 NW	5902134803715	100	
20x25	SMPCE,2025 NW	5902134803722	50	
24x28	SMPCE,2428 NW	5902134803739	50	



**Smart<sup>®</sup>**  
**DIY CONCEPT**

## The new SMART concept: Optimal product presentation.

**NEW**

### ✓ Attractive and informative packaging

The SMART blister packaging is a new concept in the market of anchors. The packaging informs the consumer to make the right choice, which increases customer satisfaction.

### ✓ Color coded

The color coded packaging allows fast browsing and offers a clear overview, assisting the consumer in his choice.

### ✓ High yield per meter

The packaging was designed in such a way that up to 18 articles can be displayed next to each other, thus increasing the benefit of the shop.

### ✓ Content in accordance to demand

The content was selected to target occasional users offering professional quality.

### ✓ Practical order quantities

The minimum order quantities are chosen per blister type in order to achieve an optimal stock level. Not too little and not too much.

### ✓ Top quality products

The products that are used in the SMART concept are top quality products. Our main items have obtained the CE / ETA approvals.



- Product information in 4 languages;
- Safe opening and closing of the packaging: no sharp edges;
- The product is 100% visible;
- Price code on each blister;
- Barcode on the front of the blister;
- Cardboard back made out of recycled materials.



### Nylon wall plug without collar



pgb code	EAN13	d	l	d <sub>s</sub>				
SM00PH04020 N	5902134714813	4	20	2,0-3,0		40	12	
SM00PH05025 N	5902134714820	5	25	3,0-4,0		40	6	
SM00PH06030 N	5902134714837	6	30	4,0-5,0		30	6	
SM00PH08040 N	5902134714844	8	40	4,5-6,0		15	6	
SM00PH10050 N	5902134714851	10	50	6,0-8,0		8	6	
SM00PH12060 N	5902134714868	12	60	8,0-10		4	6	
SM00PH14070 N	5902134714875	14	70	10-12		3	6	



### Nylon multifunctional plug with collar



pgb code	EAN13	d	l	d <sub>s</sub>				
SM0BPH05025 N	5902134714899	5	25	3,0-4,0		15	12	
SM0BPH06030 N	5902134714905	6	30	4,0-5,0		15	6	
SM0BPH08040 N	5902134714912	8	40	4,5-6,0		12	6	
SM0BPH10050 N	5902134714929	10	50	6,0-8,0		6	6	
SM0BPH12060 N	5902134714936	12	60	8,0-10		4	6	
SM0BPH14070 N	5902134714943	14	70	10-12		3	6	
SM0BPH05025GN	5902134714950	5	25	3,0-4,0		50	6	
SM0BPH06030GN	5902134714967	6	30	4,0-5,0		50	4	
SM0BPH08040GN	5902134714974	8	40	4,5-6,0		35	4	
SM0BPH10050GN	5902134714981	10	50	6,0-8,0		25	4	
SM0BPH12060GN	5902134714998	12	60	8,0-10		20	4	
SM0BPH05025XN	5902134715001	5	25	3,0-4,0		100	4	
SM0BPH06030XN	5902134715018	6	30	4,0-5,0		100	4	
SM0BPH08040XN	5902134715025	8	40	4,5-6,0		70	4	
SM0BPH10050XN	5902134715032	10	50	6,0-8,0		40	4	

DIY concept





### Nylon multifunctional plug without collar, long version



pgb code	EAN13	d	l	d <sub>s</sub>				
SM0LPH06050 N	5902134715049	6	50	4,0-5,0		10	6	
SM0LPH08060 N	5902134715056	8	60	4,5-6,0		8	6	
SM0LPH10070 N	5902134715063	10	70	6,0-8,0		5	6	
SM0LPH06050GN	5902134715070	6	50	4,0-5,0		40	4	
SM0LPH08060GN	5902134715087	8	60	4,5-6,0		30	4	
SM0LPH10070GN	5902134715094	10	70	6,0-8,0		20	4	



### Multifunctional plug with chipboard screw



pgb code	EAN13	d	l	d <sub>s</sub>	l <sub>s</sub>			
SMPUSH05025 NZN	5902134715254	5	25	3	30	20	6	
SMPUSH06030 NZN	5902134715261	6	30	4	35	15	6	
SMPUSH08040 NZN	5902134715278	8	40	4	50	7	6	
SMPUSH10050 NZN	5902134715285	10	50	5	45	4	6	



### Multifunctional plug with panhead screw



pgb code	EAN13	d	l	d <sub>s</sub>	l <sub>s</sub>			
SMCUSH05025 NZN	5902134715322	5	25	3,5	35	15	6	
SMCUSH06030 NZN	5902134715339	6	30	4,5	40	10	6	
SMCUSH08040 NZN	5902134715346	8	40	5	50	6	6	
SMCUSH10050 NZN	5902134715353	10	50	6	60	4	6	



### Multifunctional plug with hex lag screw



pgb code	EAN13	d	l	d <sub>s</sub>	l <sub>s</sub>			
SMPZSH10050 NZN	5902134715292	10	50	6	60	6	6	
SMPZSH12060 NZN	5902134715308	12	60	8	70	3	6	
SMPZSH14070 NZN	5902134715315	14	70	10	100	2	6	



### Multifunctional plug with cup hook



pgb code	EAN13	d	l	d <sub>s</sub>	l <sub>s</sub>			
SMPSHH06030 NZN	5902134715438	6	30	4	35	10	6	
SMPSHH08040 NZN	5902134715445	8	40	5	45	5	6	
SMPSHH10050 NZN	5902134715452	10	50	6	55	2	6	



### Multifunctional plug with white cup hook



pgb code	EAN13	d	l	d <sub>s</sub>	l <sub>s</sub>			
SMPSHH06030 NGP	5902134715469	6	30	3,5	30	6	6	
SMPSHH08040 NGP	5902134715476	8	40	4,4	30	4	6	



### Multifunctional plug with L-hook



pgb code	EAN13	d	l	d <sub>s</sub>	l <sub>s</sub>			
SMPSDH06030 NZN	5902134715360	6	30	4	38	10	6	
SMPSDH08040 NZN	5902134715377	8	40	5	48	5	6	
SMPSDH10050 NZN	5902134715384	10	50	6	60	3	6	



**Multifunctional plug with white L-hook**



pgb code	EAN13	d	l	d <sub>s</sub>	l <sub>s</sub>			
SMPSDH06030 NGP	5902134715414	6	30	3,2	40	6	6	
SMPSDH08040 NGP	5902134715421	8	40	4	60	4	6	



**Multifunctional plug with slotted L-hook**



pgb code	EAN13	d	l	d <sub>s</sub>	l <sub>s</sub>			
SMPZDH08040 NZN	5902134715391	8	40	5,2	50	4	6	
SMPZDH10050 NZN	5902134715407	10	50	6	65	4	6	



**Multifunctional plug with eye hook**



pgb code	EAN13	d	l	d <sub>s</sub>	l <sub>s</sub>			
SMPSOH06030 NZN	5902134715483	6	30	3,5	30	6	6	
SMPSOH08040 NZN	5902134715490	8	40	4,4	40	4	6	



**Multifunctional plug with white eye hook**



pgb code	EAN13	d	l	d <sub>s</sub>	l <sub>s</sub>			
SMPSOH06030 NGP	5902134715506	6	30	3,5	25	6	6	
SMPSOH08040 NGP	5902134715513	8	40	4,4	40	4	6	



### Nylon 3-side expansion universal plug with collar



pgb code	EAN13	d	l	d <sub>s</sub>				
SMSUPH05032 N	5902134715100	5	32	3,0-4,0		20	12	
SMSUPH06036 N	5902134715117	6	36	4,0-5,0		20	6	
SMSUPH08050 N	5902134715124	8	50	4,5-6,0		8	6	
SMSUPH10060 N	5902134715131	10	60	6,0-8,0		6	6	
SMSUPH12070 N	5902134715148	12	70	8,0-10		4	6	
SMSUPH14070 N	5902134715155	14	70	10-12		2	6	



### Nylon universal plug with collar



pgb code	EAN13	d	l	d <sub>s</sub>				
SM0UPH06035 N	5902134715162	6	35	4		20	6	
SM0UPH08050 N	5902134715179	8	50	4,5		8	6	
SM0UPH10060 N	5902134715186	10	60	5		6	6	



### Long nylon plug with long expansion zone



pgb code	EAN13	d	l	d <sub>s</sub>	l <sub>s</sub>			
SMLPLH08080 N	5902134715193	8	80	5,0-6,0	85	6	6	
SMLPLH08100 N	5902134715209	8	100	5,0-6,0	105	4	6	
SMLPLH08120 N	5902134715216	8	120	5,0-6,0	125	4	6	
SMLPLH10080 N	5902134715223	10	80	6,0-8,0	85	4	6	
SMLPLH10100 N	5902134715230	10	100	6,0-8,0	105	4	6	
SMLPLH10120 N	5902134715247	10	120	6,0-8,0	125	4	6	

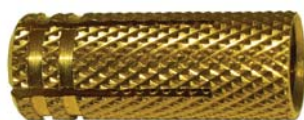
DIY concept



### Metal universal plug



pgb code	EAN13	d	l	d <sub>s</sub>				
SMMUPH06032 Z	5902134715865	6	32	5,0-6,0		20	6	
SMMUPH08038 Z	5902134715872	8	38	6,0-8,0		10	6	
SMMUPH08060 Z	5902134715889	8	60	6,0-8,0		8	6	
SMMUPH10060 Z	5902134715896	10	60	8-10		5	6	



### Brass anchor



pgb code	EAN13	d	l	d <sub>s</sub>				
SMMSPH05 MS	5902134716398	5	20	M 5		15	12	
SMMSPH06 MS	5902134716404	6	24	M 6		15	12	
SMMSPH08 MS	5902134716411	8	27	M 8		10	6	
SMMSPH10 MS	5902134716428	10	32	M 10		5	12	
SMMSPH12 MS	5902134716435	12	40	M 12		4	6	



### Aerated concrete plug



pgb code	EAN13	d	l	d <sub>s</sub>				
SMCBPH06 N	5902134716442	6	50	5-6 / M 6		4	6	
SMCBPH08 N	5902134716459	8	60	7-8 / M 8		2	6	



### Ceiling nail anchor



pgb code	EAN13	d	l	d <sub>s</sub>				
SMPSAH06035 Z	5902134716473	6	35			4	12	
SMPSAH06065 Z	5902134716480	6	65			4	6	



### Nylon cavity anchor



pgb code	EAN13	d	l	d <sub>s</sub>	l <sub>s</sub>			
SMPCA08040 N	5902134715520	8	40	3,5-4,0		5	6	
SMCASH08040 NZN	5902134715537	8	40	3,5	55	5	6	



### Nylon cavity anchor with various screws



pgb code	EAN13	d	l	d <sub>s</sub>	l <sub>s</sub>			
SMPV0H08040 N	5902134715544	8	40	3,5-4,0		10	6	
SMPV1H08040 N	5902134715551	8	40	4	45	6	6	
SMPV2H08040 N	5902134715568	8	40	4	45	6	6	
SMPV3H08040 N	5902134715575	8	40	4	45	6	6	
SMPV4H08040 N	5902134715582	8	40	4	45	6	6	
SMPV5H08040 N	5902134715599	8	40	4	45	6	6	



### Metal cavity anchor



pgb code	EAN13	d	l	d <sub>s</sub>	l <sub>s</sub>			
SMHWPH04032 Z	5902134715605	4	32	M 4	30	10	6	
SMHWPH04038 Z	5902134715612	4	38	M 4	39	8	6	
SMHWPH04046 Z	5902134715629	4	46	M 4	52	8	6	
SMHWPH04059 Z	5902134715636	4	59	M 4	65	4	6	
SMHWPH05037 Z	5902134715643	5	37	M 5	45	6	6	
SMHWPH05052 Z	5902134715650	5	52	M 5	58	4	6	
SMHWPH05065 Z	5902134715667	5	65	M 5	71	2	6	
SMHWPH06037 Z	5902134715674	6	37	M 6	45	4	6	
SMHWPH06052 Z	5902134715681	6	52	M 6	58	4	6	
SMHWPH06065 Z	5902134715698	6	65	M 6	71	4	6	



### Metal cavity anchor



pgb code	EAN13	d	l	d <sub>s</sub>	l <sub>s</sub>			
SMWPLH04032 Z	5902134715735	4	32	M 4	30	5	6	
SMWPLH04038 Z	5902134715742	4	38	M 4	39	5	6	



### Metal cavity anchor



pgb code	EAN13	d	l	d <sub>s</sub>	l <sub>s</sub>			
SMWPCH04032 Z	5902134715711	4	32	M 4	30	5	6	
SMWPCH04038 Z	5902134715728	4	38	M 4	39	5	6	

DIY concept



### Spring toggle with screw



pgb code	EAN13	d	l	d <sub>s</sub>	l <sub>s</sub>			
SMRSVH04050 Z	5902134715827	4	50	M 4	50	2	6	
SMRSVH04075 Z	5902134715834	4	75	M 4	75	2	6	



### Spring toggle with cup hook



pgb code	EAN13	d	l	d <sub>s</sub>	l <sub>s</sub>			
SMRHAH04070 Z	5902134715797	4	70	M 4	75	2	6	



### Spring toggle with threaded rod



pgb code	EAN13	d	l	d <sub>s</sub>	l <sub>s</sub>			
SMRSTH04080 Z	5902134715810	4	80	M 4	80	2	6	



### Spring toggle with eye hook



pgb code	EAN13	d	l	d <sub>s</sub>	l <sub>s</sub>			
SMRSOH04070 Z	5902134715803	4	70	M 4	70	2	6	





**Gravity anchor**



pgb code	EAN13	d	l	d <sub>s</sub>	l <sub>s</sub>			
SMPHAH06075 Z	5902134715858	6	75	M 6	75	2	6	



**Gravity anchor**



pgb code	EAN13	d	l	d <sub>s</sub>	l <sub>s</sub>			
SMPSTH06095 Z	5902134715841	6	95	M 8	100	2	6	



**Plasterboard plug**



pgb code	EAN13	d	l	d <sub>s</sub>	l <sub>s</sub>			
SMGKPH04 N	5902134715759	13	32	3,5-4,5		10	6	
SMGKPH04S N	5902134715766	13	32	4	40	6	6	



**Plasterboard plug**





pgb code	EAN13	d	l	d <sub>s</sub>	l <sub>s</sub>			
SMGKPH01 Z	5902134715773	14	35	3,5-4,5		10	6	
SMGKPH01S Z	5902134715780	14	35	4	40	6	6	



**Hammer nail plug with countersunk collar**





pgb code	EAN13	d	l					
SMPKKH05030 NZN	5902134715902	5	30			20	6	
SMPKKH05040 NZN	5902134715919	5	40			15	6	
SMPKKH05050 NZN	5902134715926	5	50			15	6	
SMPKKH06040 NZN	5902134715933	6	40			10	6	
SMPKKH06040GNZN	5902134716022	6	40			35	4	
SMPKKH06060 NZN	5902134715940	6	60			10	6	
SMPKKH06060GNZN	5902134716039	6	60			35	4	
SMPKKH06080 NZN	5902134715957	6	80			10	6	
SMPKKH06080GNZN	5902134716046	6	80			30	4	
SMPKKH08045 NZN	5902134715964	8	45			10	6	
SMPKKH08045GNZN	5902134716053	8	45			30	4	
SMPKKH08060 NZN	5902134715971	8	60			7	6	
SMPKKH08060GNZN	5902134716060	8	60			25	4	
SMPKKH08080 NZN	5902134715988	8	80			6	6	
SMPKKH08080GNZN	5902134716077	8	80			20	4	
SMPKKH08100 NZN	5902134715995	8	100			6	6	
SMPKKH08100GNZN	5902134716084	8	100			15	4	
SMPKKH08120 NZN	5902134716008	8	120			5	6	
SMPKKH08140 NZN	5902134716015	8	140			4	6	



**Hammer nail plug with countersunk collar and stainless steel nail.**



pgb code	EAN13	d	l					
SMPKKH06040 NA2	5902134716961	6	40			10	6	
SMPKKH06060 NA2	5902134716978	6	60			10	6	
SMPKKH08080 NA2	5902134716985	8	80			6	6	

DIY concept



### Hammer nail plug with mushroom-shaped collar



pgb code	EAN13	d	l	d <sub>s</sub>	l <sub>s</sub>			
SM0SPH06040 NZN	5902134716091	6	40	4	50	6	6	
SM0SPH06060 NZN	5902134716107	6	60	4	70	5	6	



### Hammer nail plug with metric thread



pgb code	EAN13	d	l	d <sub>s</sub>				
SMSPMH06040 NZN	5902134716114	6	40	M 6		10	6	
SMSPMH07040 NZN	5902134716121	7	40	M 7		8	6	



### Frame plug with countersunk head and pozidriv screw



pgb code	EAN13	d	l	d <sub>s</sub>	l <sub>s</sub>			
SM0RPH10100 NZN	5902134716138	10	100	7	107	2	6	
SM0RPH10120 NZN	5902134716145	10	120	7	127	2	6	
SM0RPH10140 NZN	5902134716152	10	140	7	147	2	6	



### Frame plug with countersunk head and Torx screw



pgb code	EAN13	d	l	d <sub>s</sub>	l <sub>s</sub>			
SMRPTH10080 NZN	5902134716206	10	80	7	87	2	6	
SMRPTH10100 NZN	5902134716213	10	100	7	107	2	6	
SMRPTH10120 NZN	5902134716220	10	120	7	127	2	6	
SMRPTH10140 NZN	5902134716237	10	140	7	147	2	6	



**Frame plug with countersunk head and hex screw with pressed-on washer**



pgb code	EAN13	d	l	d <sub>s</sub>	l <sub>s</sub>			
SMRPFH10080 NZN	5902134716169	10	80	7	87	2	6	
SMRPFH10100 NZN	5902134716176	10	100	7	107	2	6	
SMRPFH10120 NZN	5902134716183	10	120	7	127	2	6	
SMRPFH10140 NZN	5902134716190	10	140	7	147	2	6	



**Metal frame anchor**



pgb code	EAN13	d	l					
SMMKPH10075 ZNB	5902134716244	10	72			4	6	
SMMKPH10090 ZNB	5902134716251	10	92			4	6	
SMMKPH10110 ZNB	5902134716268	10	112			4	6	
SMMKPH10130 ZNB	5902134716275	10	132			4	6	



**Window frame screw with cylinder head, T30**



pgb code	EAN13	d	l					
SMC30H75072 Z	5902134716312	8	72			6	6	
SMC30H75092 Z	5902134716329	8	92			6	6	
SMC30H75112 Z	5902134716336	8	112			4	6	
SMC30H75132 Z	5902134716343	8	132			4	6	



### Window frame screw with counter-sunk head, T30



pgb code	EAN13	d	l					
SMP30H75072 Z	5902134716350	8	72			6	6	
SMP30H75092 Z	5902134716367	8	92			6	6	
SMP30H75112 Z	5902134716374	8	112			4	6	
SMP30H75132 Z	5902134716381	8	132			4	6	



### Universal spacer screw, with T25 recess



pgb code	EAN13	d	l	d <sub>s</sub>	l <sub>s</sub>			
SMAFSH60080 Z	5902134716282	6	80	6	80	8	6	
SMAFSH60100 Z	5902134716299	6	100	6	100	6	6	
SMAFSH60120 Z	5902134716305	6	120	6	120	6	6	



### Drop-in anchor





pgb code	EAN13	d	l	d <sub>s</sub>	l <sub>s</sub>			
SM0IAH06 Z	5902134716565	6	25	M 6	11	8	12	
SM0IAH08 Z	5902134716572	8	30	M 8	13	6	12	
SM0IAH10 Z	5902134716589	10	40	M 10	15	4	12	
SM0IAH12 Z	5902134716596	12	50	M 12	19	2	12	



### Drop-in anchor





pgb code	EAN13	d	l	d <sub>s</sub>	l <sub>s</sub>			
SM0IAH06 A2	5902134716992	6	25	M 6	11	4	12	
SM0IAH08 A2	5902134717005	8	30	M 8	13	4	12	
SM0IAH10 A2	5902134717012	10	40	M 10	15	2	12	
SM0IAH12 A2	5902134717029	12	50	M 12	19	2	12	



### Through bolt with ETA option 1 - type S-KA



pgb code	EAN13	d	l	d <sub>s</sub>	l <sub>s</sub>			
SM1KAH06065 Z	5902134716602	6	65	7	7	6	6	
SM1KAH06100 Z	5902134716619	6	100	7	7	4	6	
SM1KAH08072 Z	5902134716626	8	72	20	9	4	6	
SM1KAH08092 Z	5902134716633	8	92	20	9	4	6	
SM1KAH08112 Z	5902134716640	8	112	20	9	2	6	
SM1KAH10092 Z	5902134716657	10	92	35	12	2	6	
SM1KAH10102 Z	5902134716664	10	102	35	12	2	6	
SM1KAH10132 Z	5902134716671	10	132	35	12	2	6	
SM1KAH12103 Z	5902134716688	12	103	50	14	2	6	
SM1KAH12118 Z	5902134716695	12	118	50	14	2	6	



**Through bolt with ETA option 1 - type S-KA**



pgb code	EAN13	d	l	d <sub>s</sub>	l <sub>s</sub>			
SM1KAH06065 A4	5902134717036	6	65	7	7	2	6	
SM1KAH08052 A4	5902134717043	8	52	15	9	2	6	
SM1KAH08072 A4	5902134717050	8	72	15	9	2	6	
SM1KAH08092 A4	5902134717067	8	92	15	9	2	6	
SM1KAH08112 A4	5902134717074	8	112	15	9	2	6	
SM1KAH10092 A4	5902134717081	10	92	35	12	2	6	
SM1KAH10112 A4	5902134717098	10	112	35	12	2	6	
SM1KAH12118 A4	5902134717104	12	118	70	14	2	6	



**4 shield expansion anchor "PFG" with loose bolt**



pgb code	EAN13	d	l					
SM00KH06060 Z	5902134716701	6	60			5	6	
SM00KH06075 Z	5902134716718	6	75			4	6	
SM00KH08075 Z	5902134716725	8	75			4	6	
SM00KH08085 Z	5902134716732	8	85			2	6	
SM00KH08100 Z	5902134716749	8	100			2	6	
SM00KH08140 Z	5902134716756	8	140			2	6	
SM00KH10080 Z	5902134716763	10	80			2	6	
SM00KH10090 Z	5902134716770	10	90			2	6	
SM00KH10100 Z	5902134716787	10	100			2	6	
SM00KH10110 Z	5902134716794	10	110			2	6	
SM00KH10120 Z	5902134716800	10	120			2	6	
SM00KH10140 Z	5902134716817	10	140			2	6	
SM00KH12080 Z	5902134716824	12	110			1	6	
SM00KH12120 Z	5902134716831	12	125			1	6	



**4 shield expansion anchor "PFG" with threaded rod**



pgb code	EAN13	d	l					
SM00TH06050 Z	5902134716916	6	50			4	6	
SM00TH06070 Z	5902134716923	6	80			4	6	
SM00TH08070 Z	5902134716930	8	80			4	6	
SM00TH08090 Z	5902134716947	8	90			3	6	
SM00TH10090 Z	5902134716954	10	90			2	6	



**4 shield expansion anchor sleeve "PFG"**



pgb code	EAN13	d	l					
SM00HH06040 Z	5902134716848	6	40			4	6	
SM00HH08050 Z	5902134716855	8	50			4	6	
SM00HH10060 Z	5902134716862	10	60			2	6	



**4 shield expansion anchor "PFG" with forged eye hook**



pgb code	EAN13	d	l	d <sub>s</sub>				
SM00OH06070 Z	5902134716893	6	70	10		4	6	
SM00OH08090 Z	5902134716909	8	90	11,8		2	6	



**4 shield expansion anchor "PFG" with forged cup hook**



pgb code	EAN13	d	l	d <sub>s</sub>				
SM0TRH06070 Z	5902134716879	6	70	8		2	6	
SM0TRH08090 Z	5902134716886	8	90	10		2	6	

DIY concept





### Nail clips



pgb code	EAN13	d						
SMKCRH04 NW	5902134716497	4				15	12	
SMKCRH05 NW	5902134716503	5				15	12	
SMKCRH06 NW	5902134716510	6				15	12	
SMKCRH08 NW	5902134716534	8				10	12	
SMKCRH10 NW	5902134716541	10				8	6	
SMKCRH12 NW	5902134716558	12				7	6	



### Washbasin wall fixing set



pgb code	EAN13	d	l	d <sub>s</sub>	l <sub>s</sub>			
SNWASC08100 NZN	5902130000000	12	60	8	100	10	2	
SNWASC08120 NZN	5902130000000	12	60	8	120	10	2	
SNWASC10120 NZN	5902130000000	14	70	10	120	10	2	
SNWASC10140 NZN	5902130000000	14	70	10	140	10	2	



### Vertical toilet fixing set



pgb code	EAN13	d	l	d <sub>s</sub>	l <sub>s</sub>			
SN0WCC06080 NZN	5902130000000	10	50	6	80	10	2	



# PRODUCTION PLANT PGB-POLSKA 2013 -2014



The information in this catalogue is intended for general guidance only. We are not responsible for any (printing) errors, and we reserve the right of taking technical modifications and modifications in our product range without prior notice.



pgb-Europe nv  
logistic centre  
Gontrode Heirweg 170  
B-9090 MELLE  
tel.: +32 9 272 70 70  
fax: +32 9 272 70 99  
www.pgb-europe.com  
e-mail: info@pgb-europe.com



pgb-Polska polska z o.o.  
production plant  
ul. Jondy 5  
44-100 Gliwici, Poland  
tel.: +48 (32) 330 26 10  
fax +48 (32) 330 26 20  
www.pgb-polska.com  
biuro@pgb-polska.com

